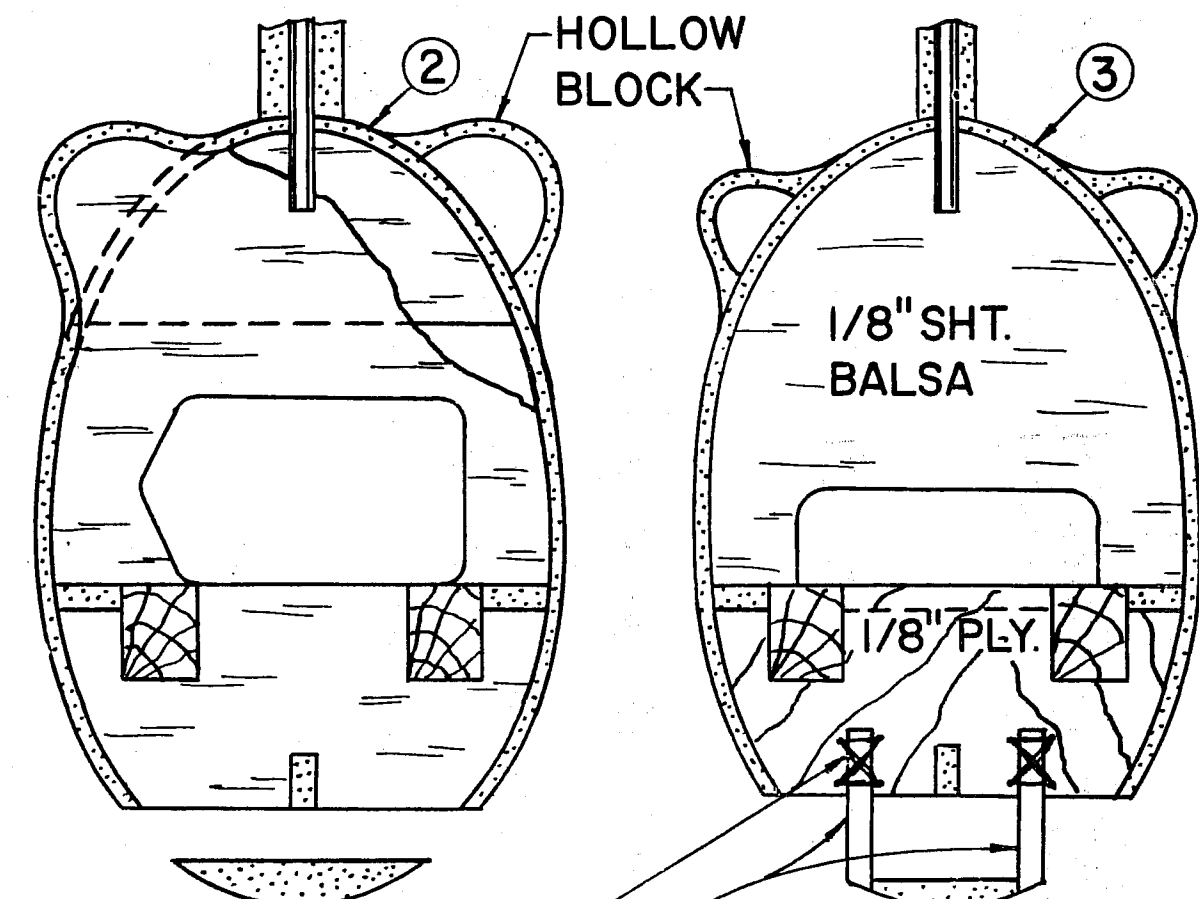
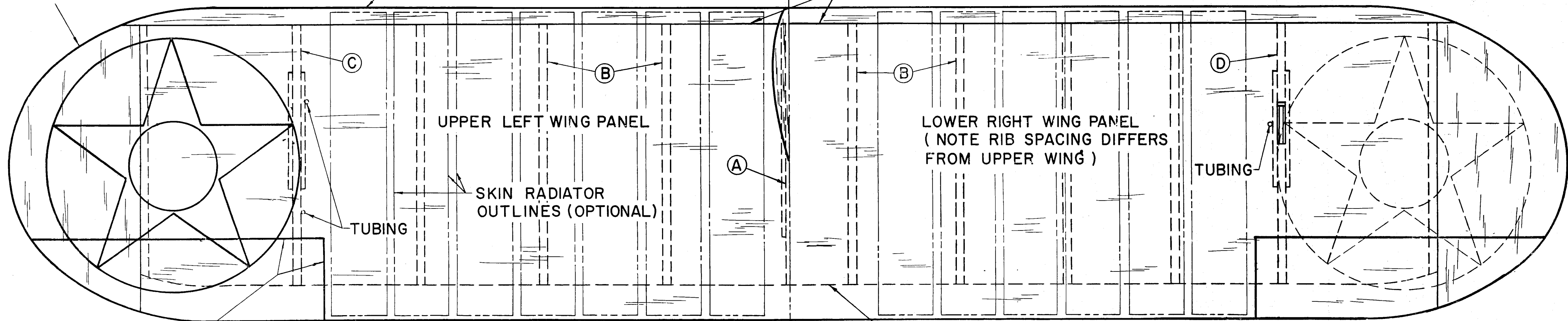


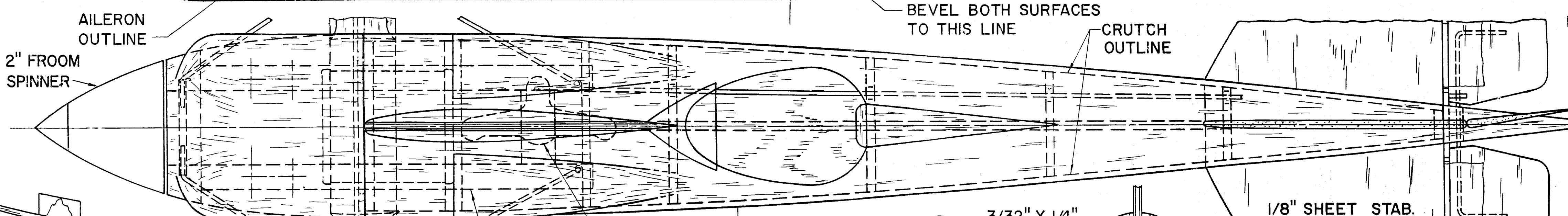
1/2" SHEET TIPS

1/4" SQ. LEADING EDGE - BOTH WINGS

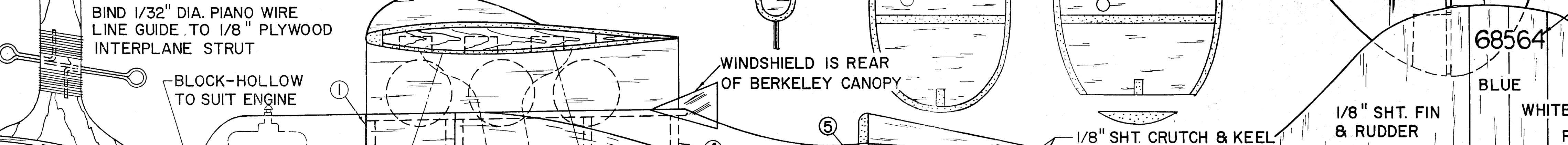
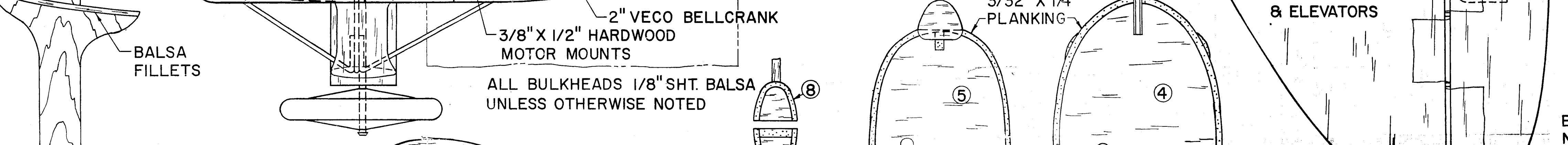
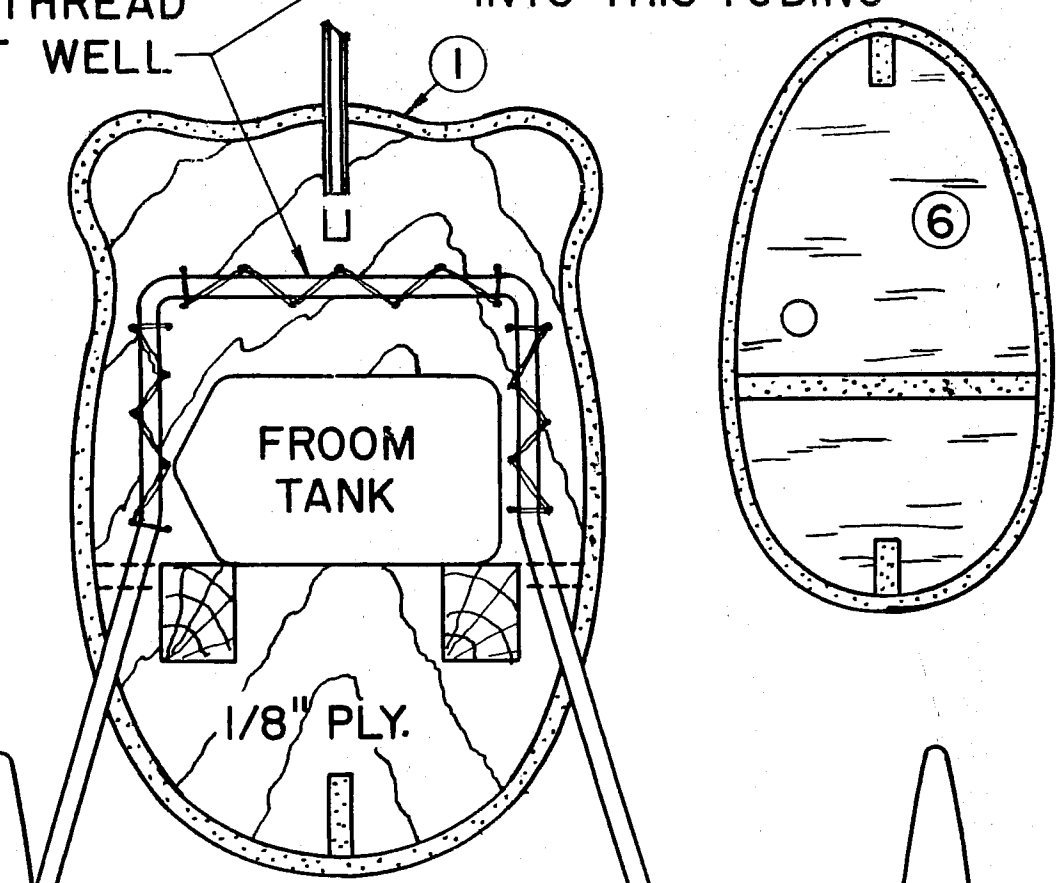
1/16" SHT. BALSA COVERING - BOTH WINGS



PUSH REAR L. GEAR STRUTS INTO THIS TUBING



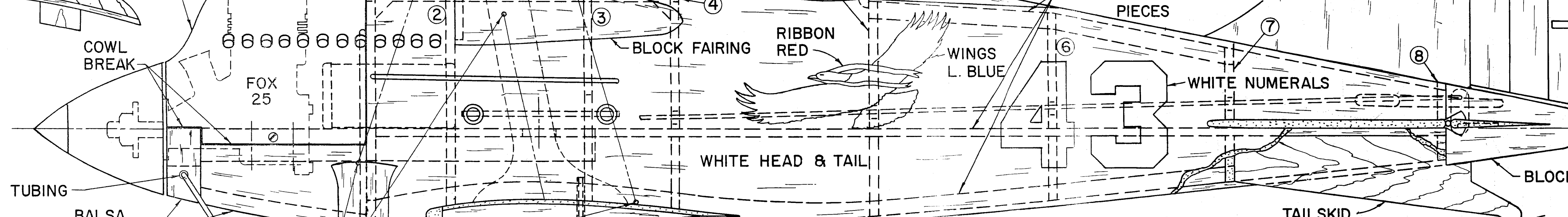
BIND WITH THREAD & CEMENT WELL



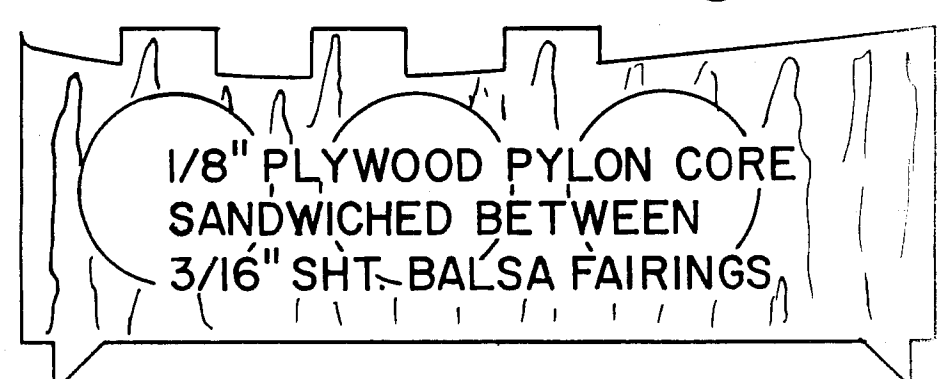
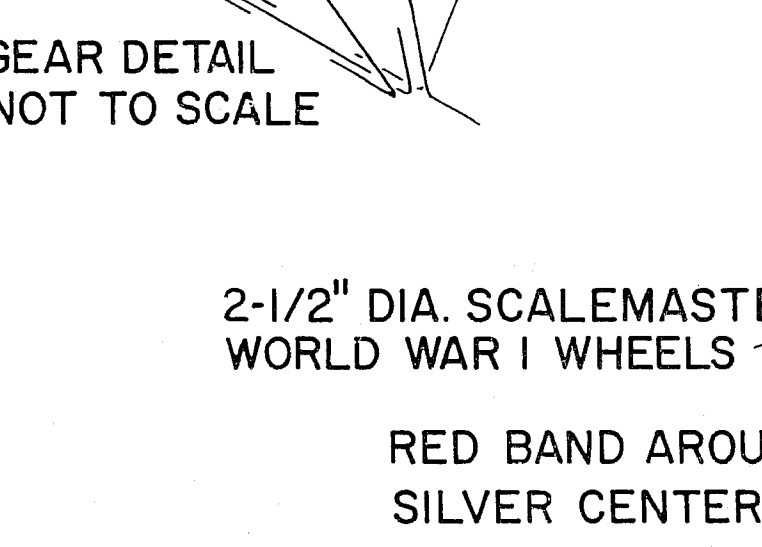
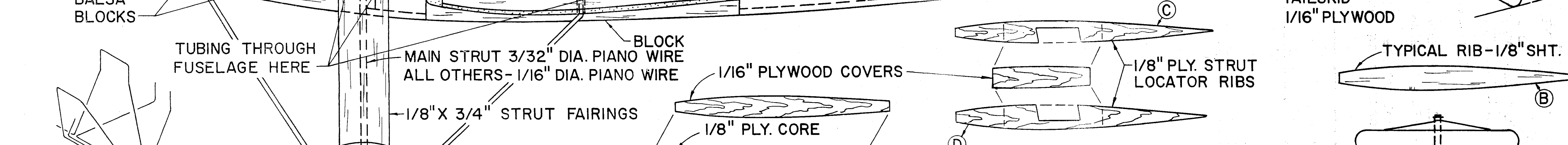
BLACK NUMERALS

68564

BLUE WHITE RED



RIGGING WIRES PRESS INTO TUBING IN THE WINGS AFTER PASSING THRU TUBING IN THE FUSELAGE



*Curtiss R-6*

1922 PULITZER RACE WINNER AND RECORD BREAKER  
DESIGNED & DRAWN BY FRANK W. BEATTY