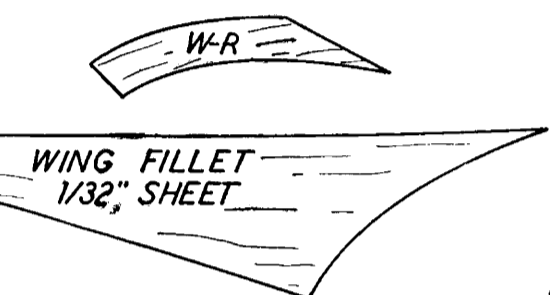


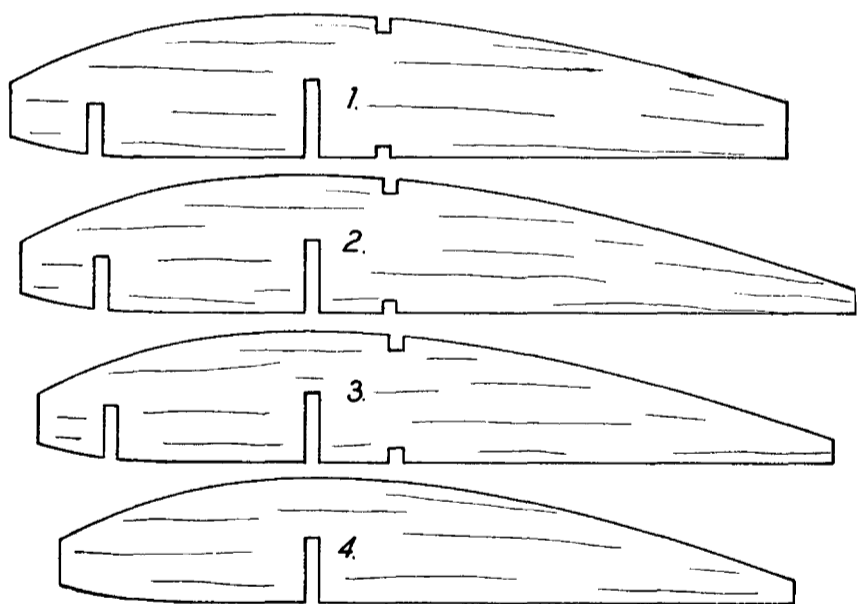
WING IS SHOWN IN
BROKEN LINES

STRUCTURE UNDER WING IS
FINISHED AFTER WING IS
ASSEMBLED TO FUSELAGE

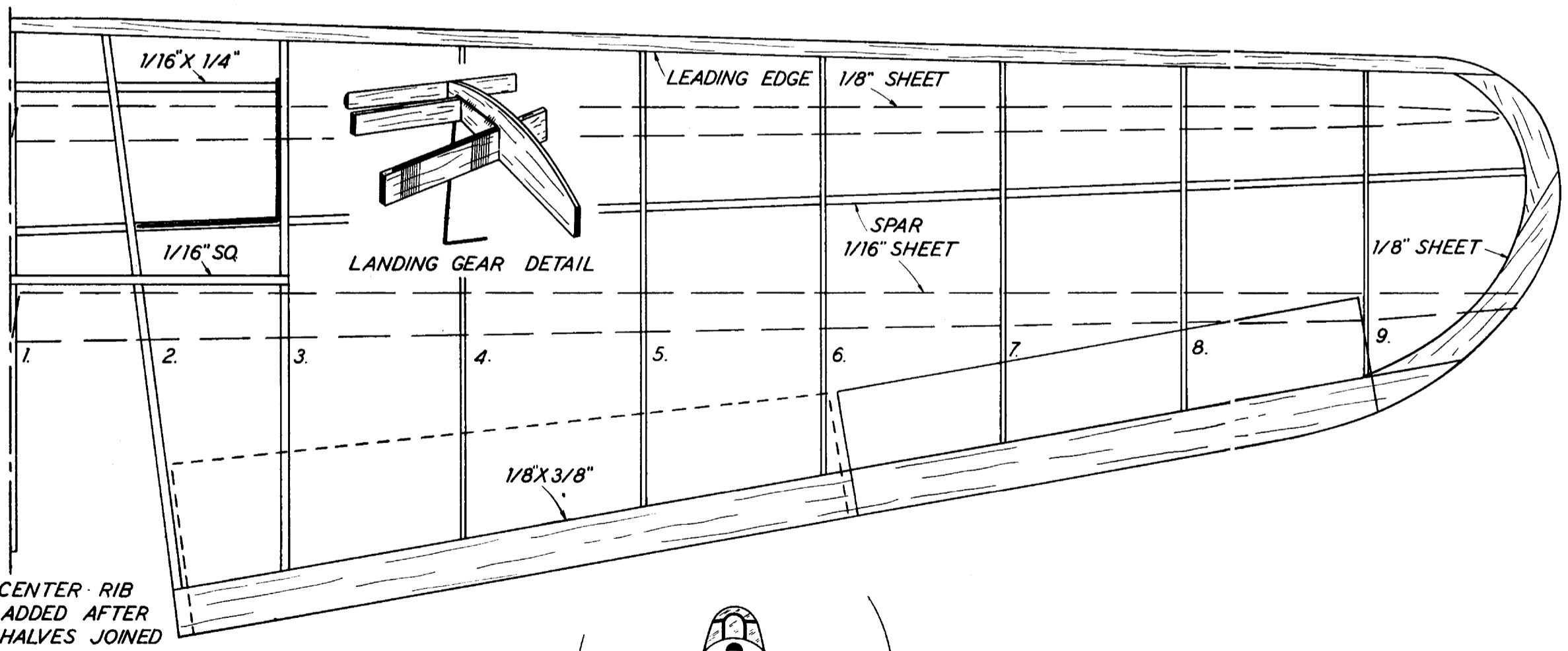
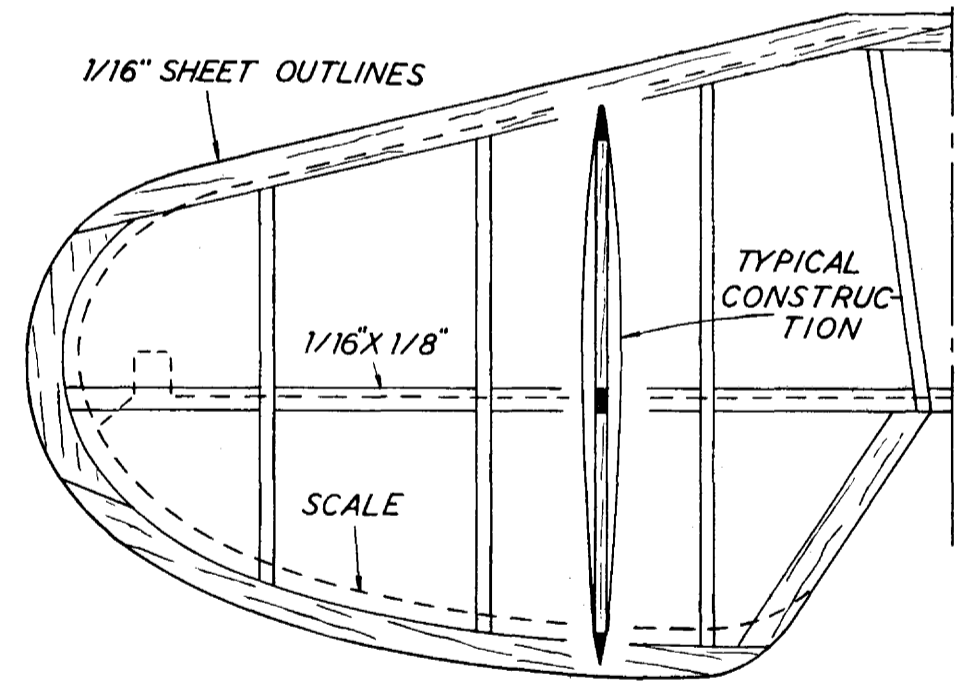


BAMBOO PIN
HOLDS MOTOR

SOME STRINGERS NOT
SHOWN ON FUSELAGE
TO SHOW KEELS

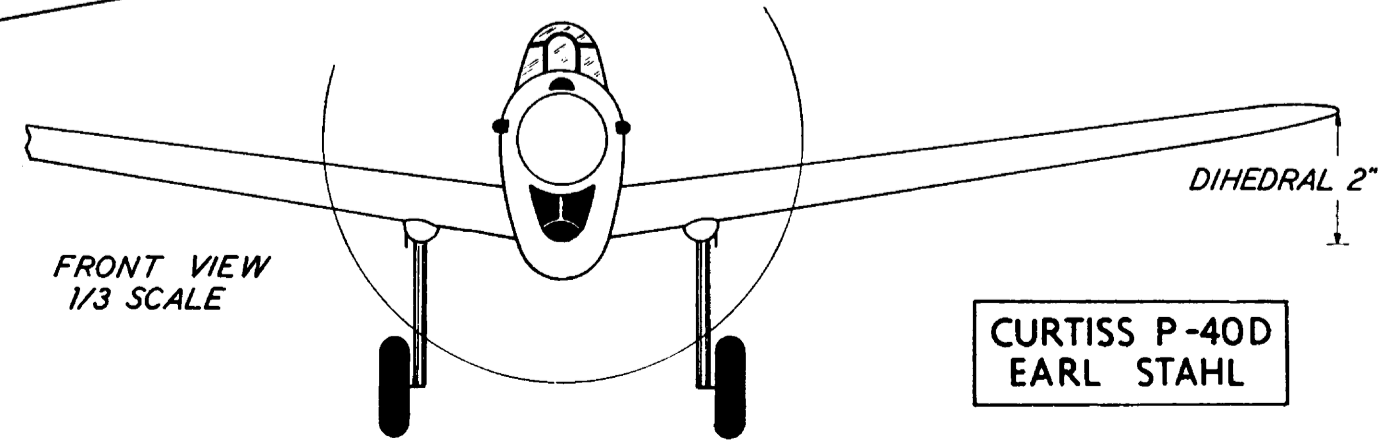
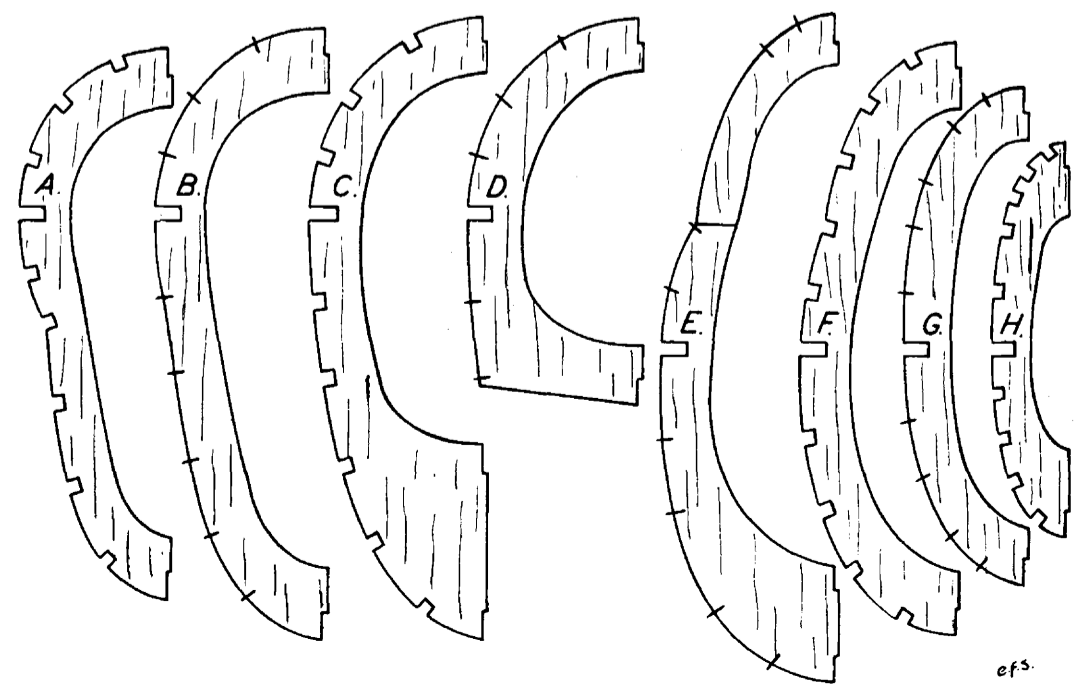


FULL SIZE WING RIBS ; 1,2,3 CUT
FROM 1/16" , OTHERS 1/32"



CENTER RIB
ADDED AFTER
HALVES JOINED

FUSELAGE
BULKHEADS
1/16" SHEET
2 EACH REQ'D



CURTISS P-40D
EARL STAHL