

JOIN IV-III ABOVE TO III-III ON FIG 3

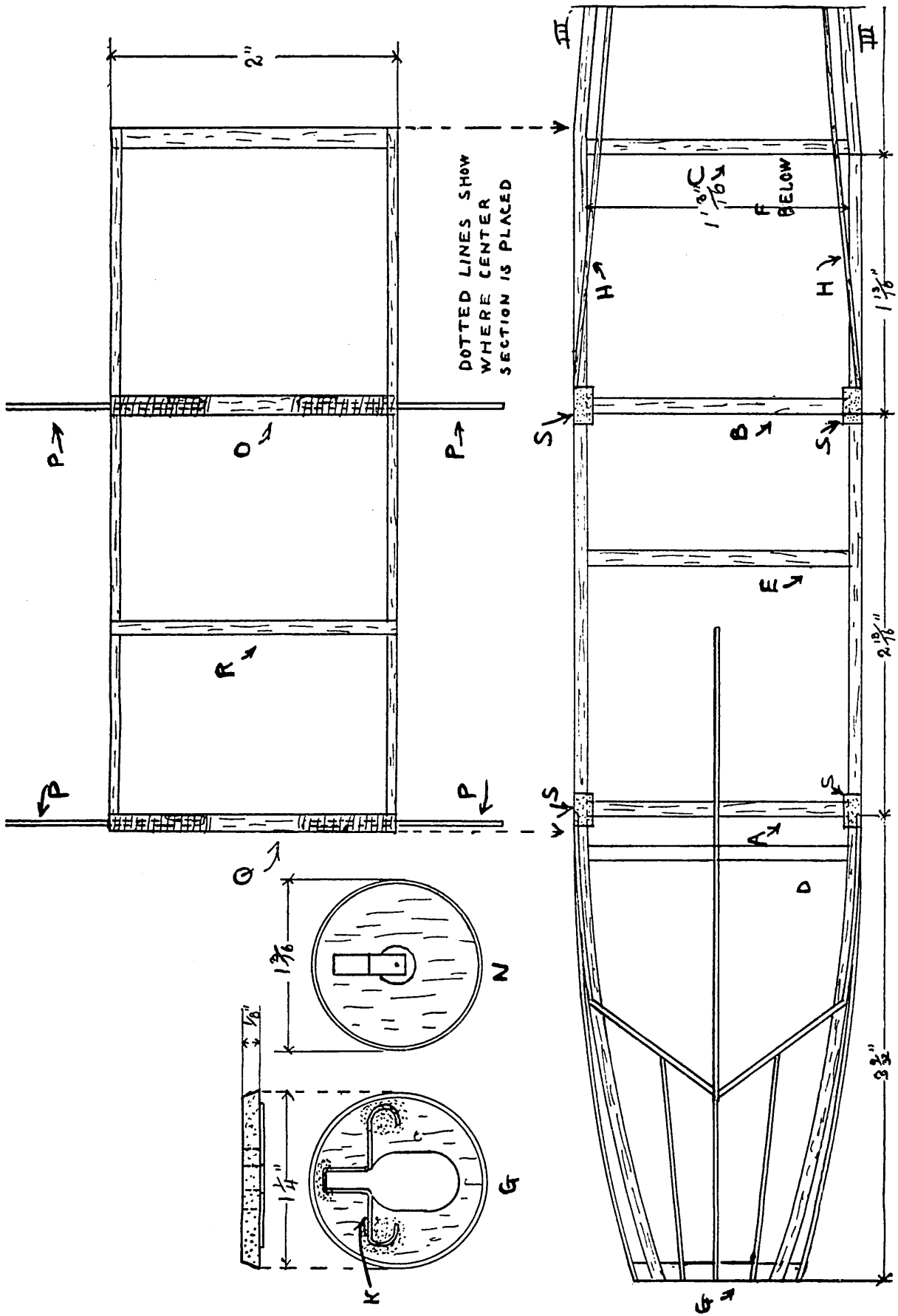


FIG. 3

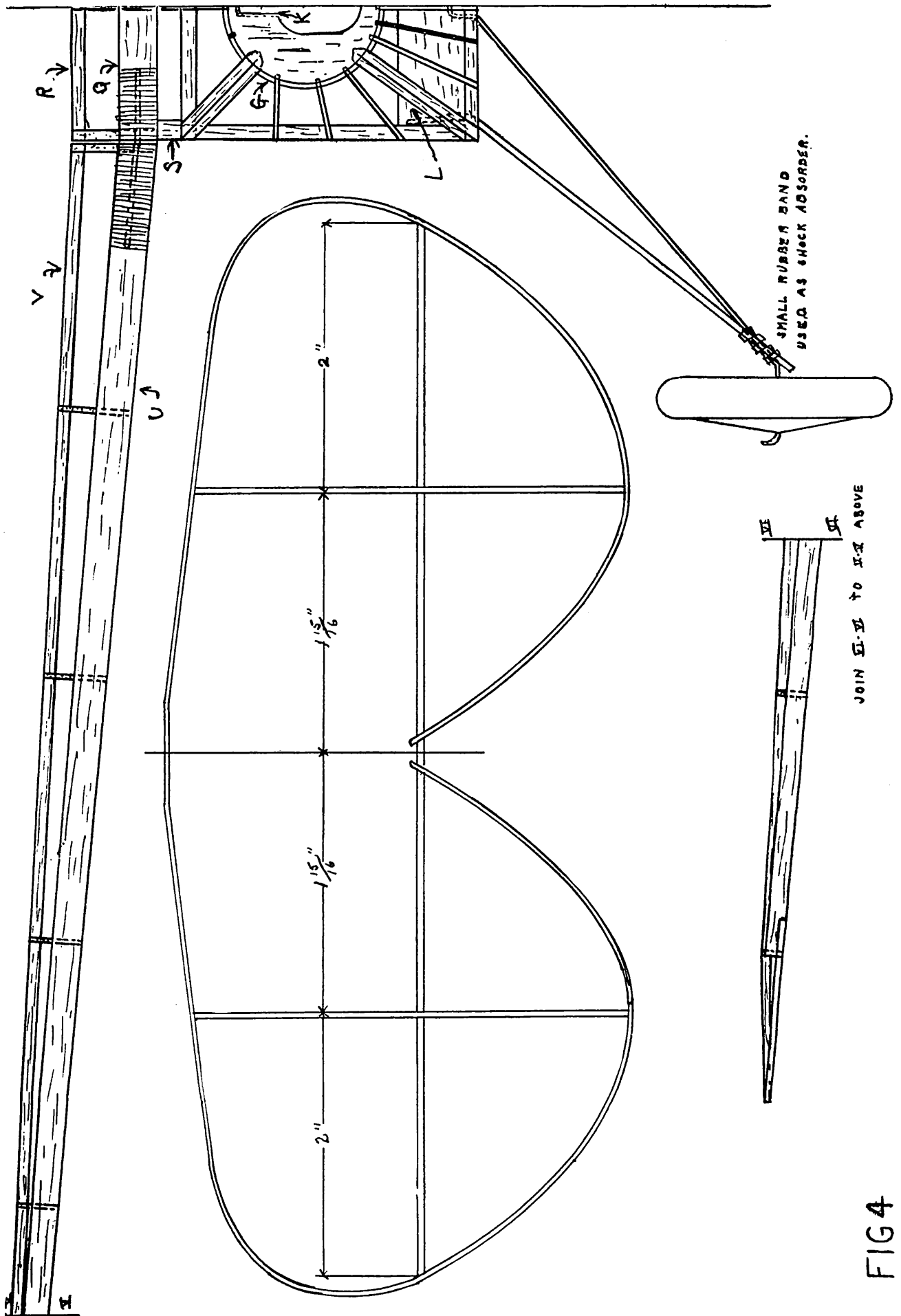
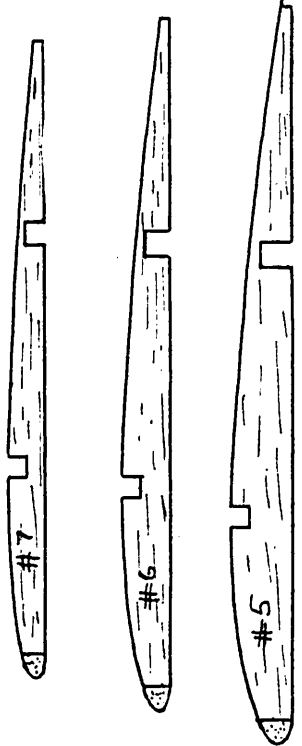


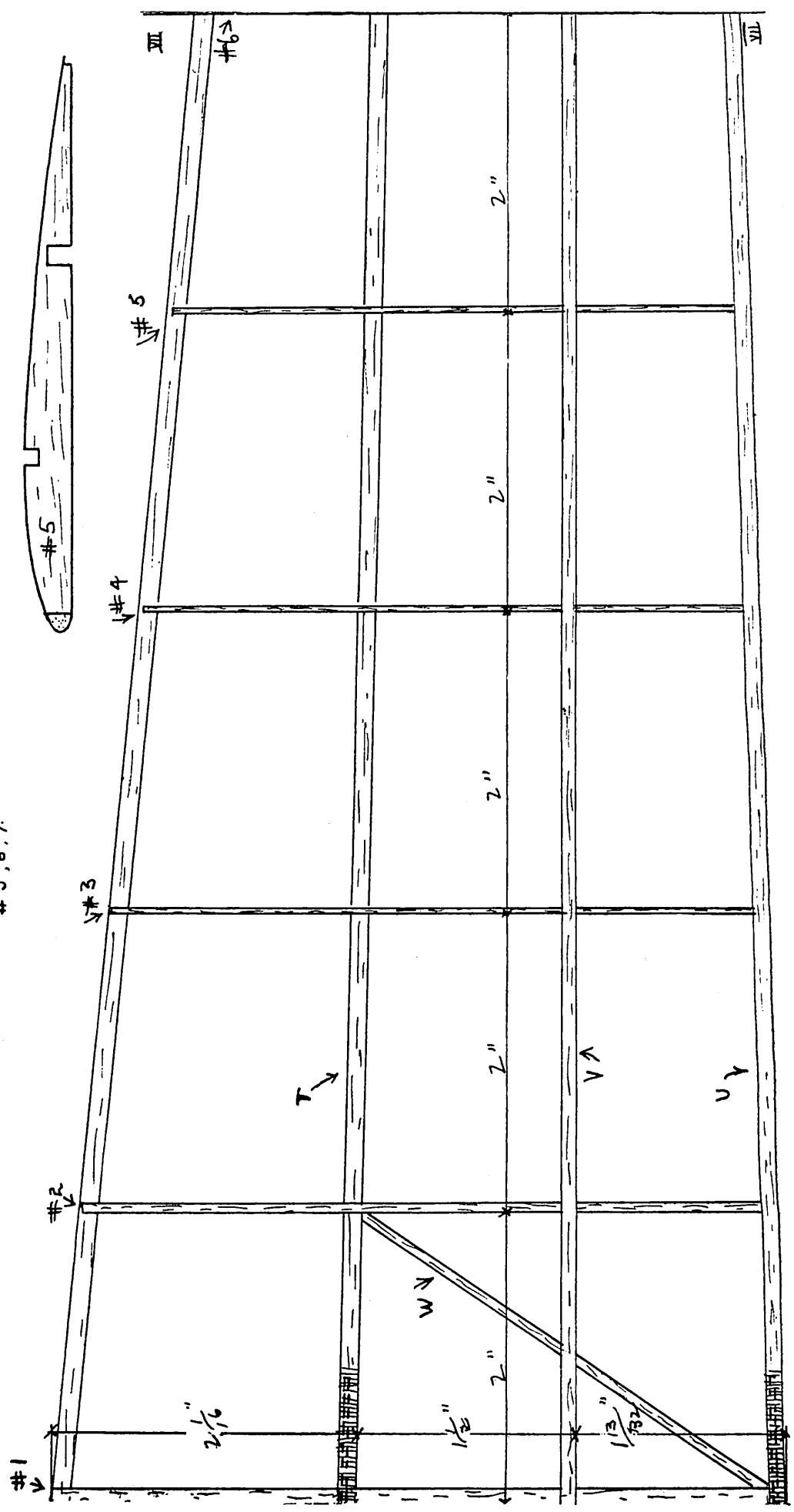
FIG4



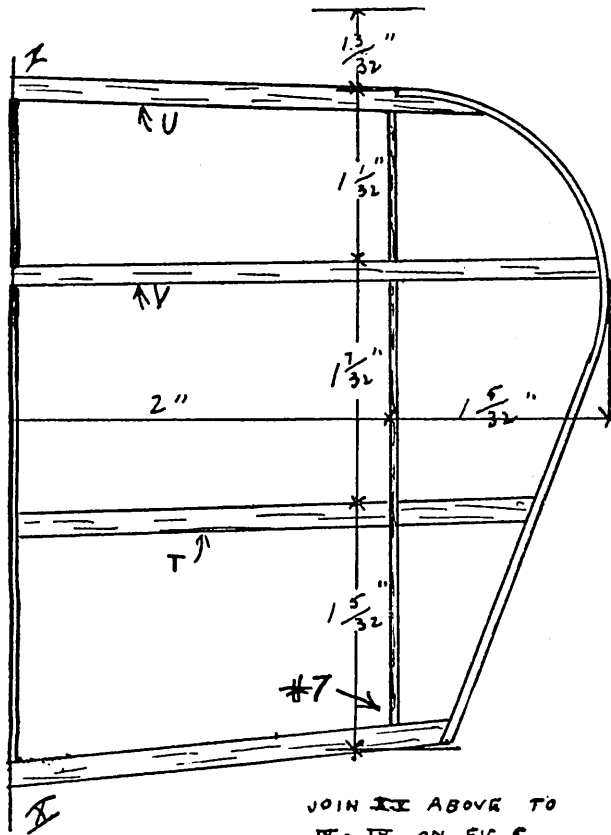
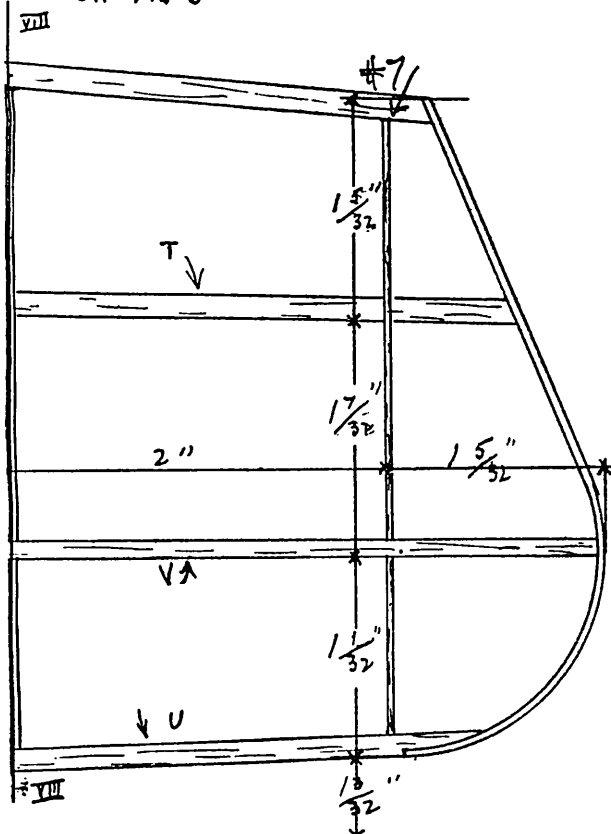


MAKE 2 EACH OF  
# 5, 6, 7.

FIG 6.

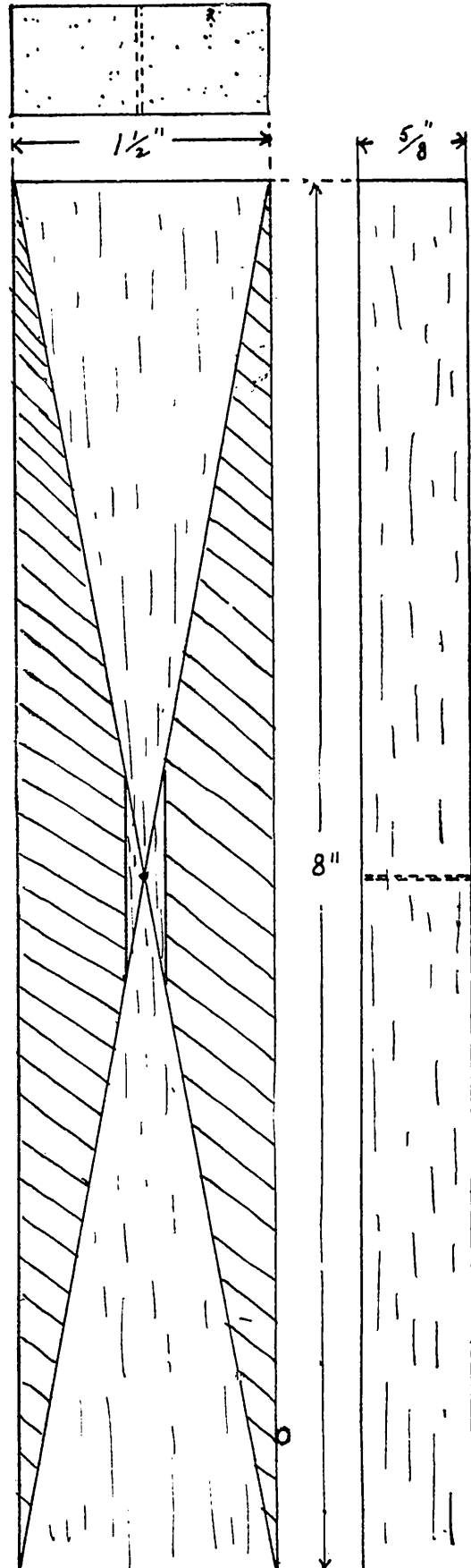


JOIN VII-VIII TO VII-VIII  
ON FIG 6



JOIN IX ABOVE TO  
IX-IX ON FIG 5

FIG 7



CUT AWAY SHADED PORTIONS