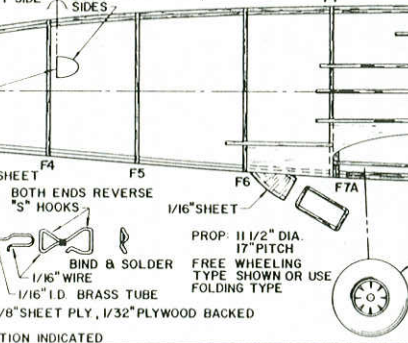
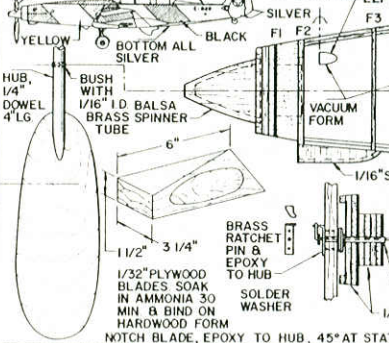
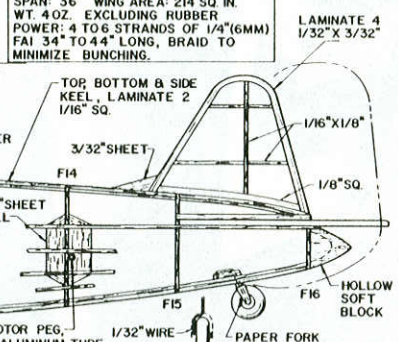
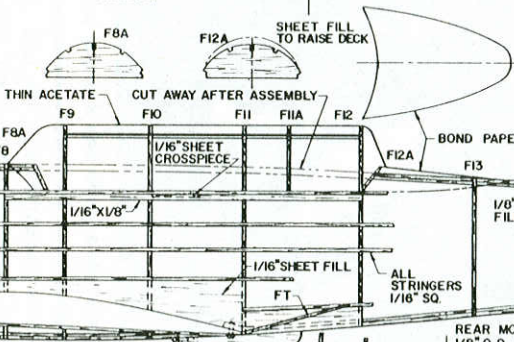
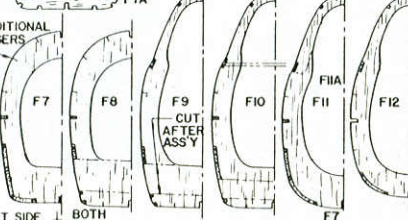
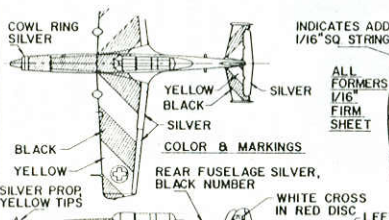


ALL RIBS 1/16" SHEET 2 EA. REQ.

COVER WITH MEDIUM WT. "JAP" TISSUE WATER SHRINK & DOPE 3 COATS, VERY THIN CLEAR. AIR BRUSH ONE COAT OF COLOR PER PATTERN SHOWN.



WING MAY BE REMOVEABLE. 1/16" DOWEL AT L. E. - 2-56 NYLON SCREWS AT T. E.

TOW-LINE CHUTE, SOFT BLOCK HOLLOWED, GLUE TO WING

REFERENCES

1. "THE AIRCRAFT OF THE SWISS AIR FORCE SINCE 1914" JACOB URECH

2. SEP. 1972 ISSUE "AIR ENTHUSIAST"

827-1

DESIGNED & DRAWN BY DON SRULL

TRACED FOR M.A.N. BY RAY BORDEN

0 1 2 3 4

# C-3605 "SCHLEPP"

SWISS TARGET-TOW AIRCRAFT SCALE 78"-1"