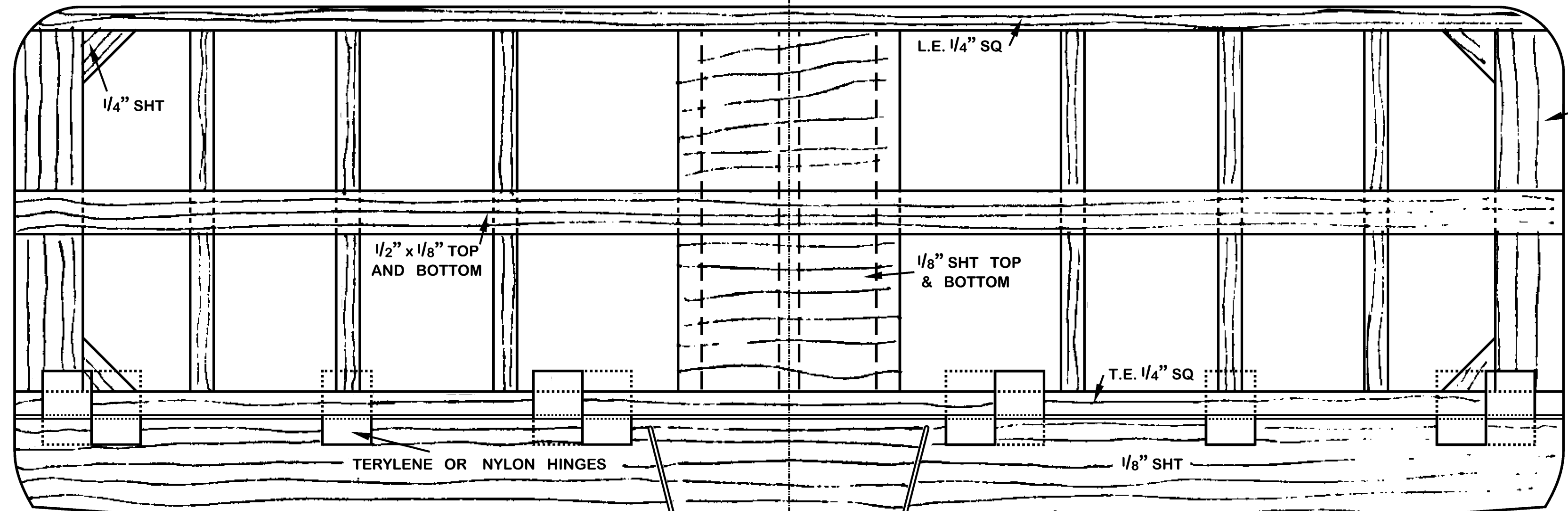
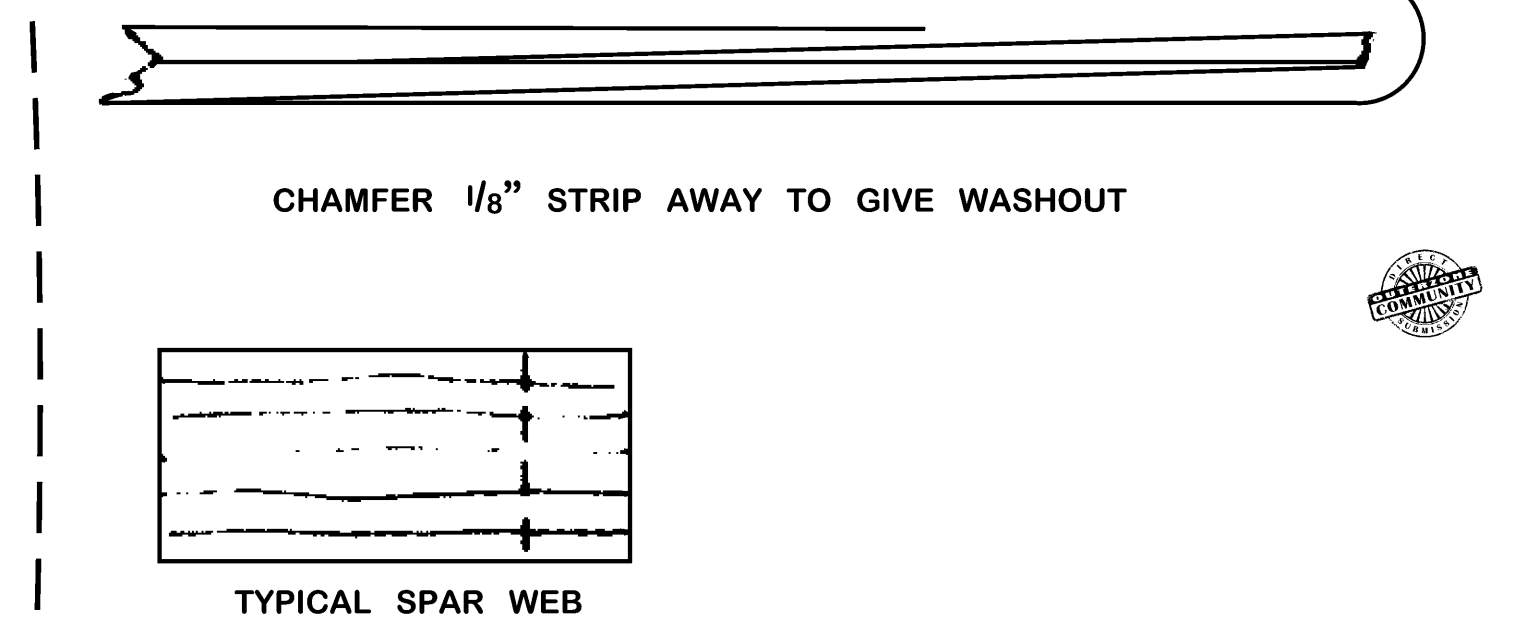
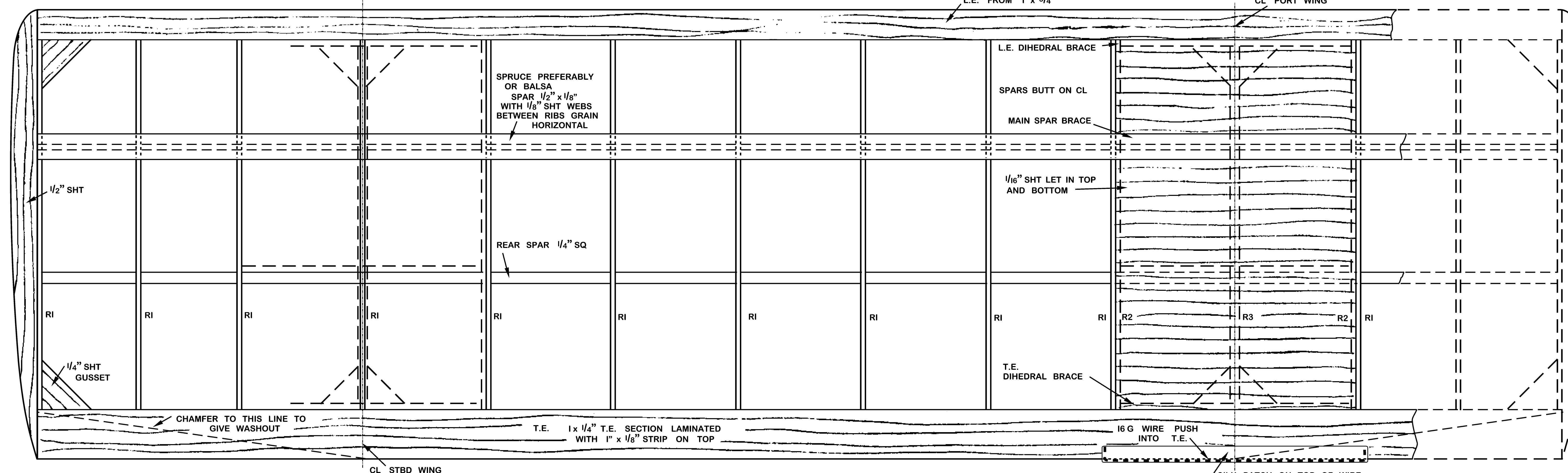
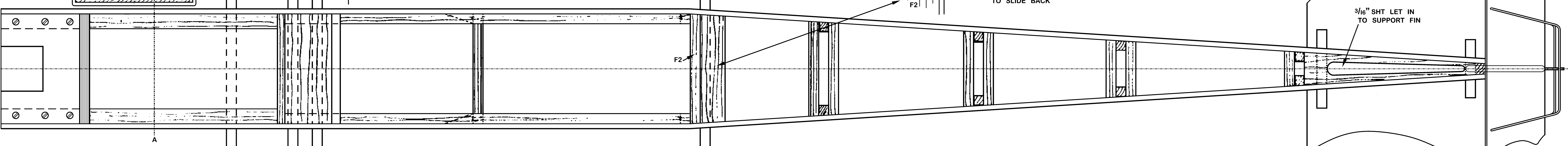
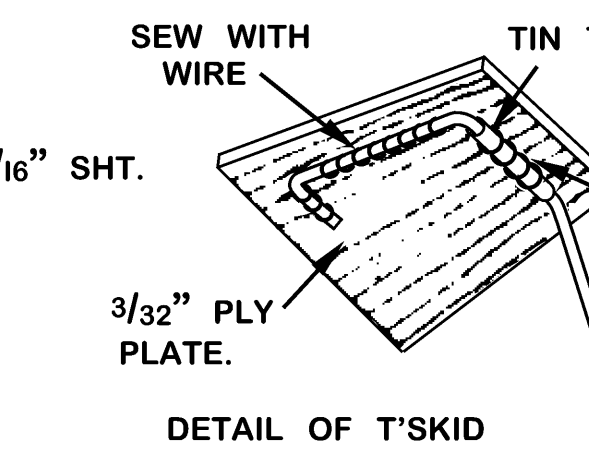
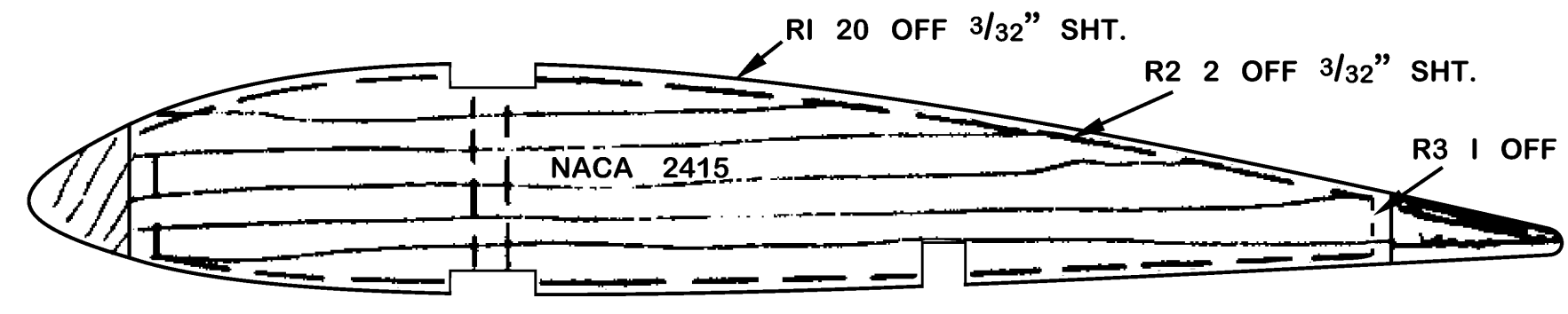
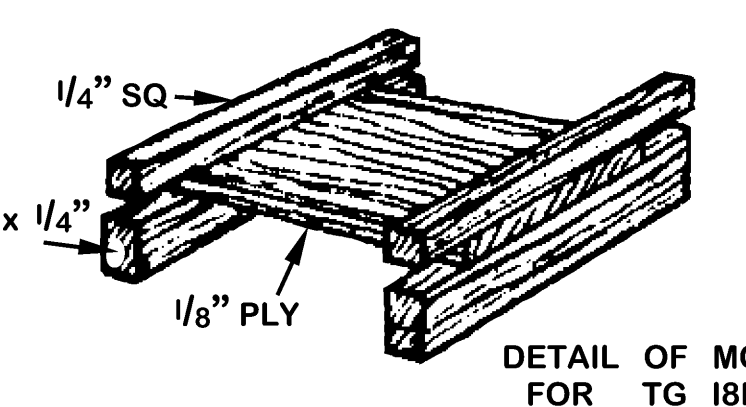
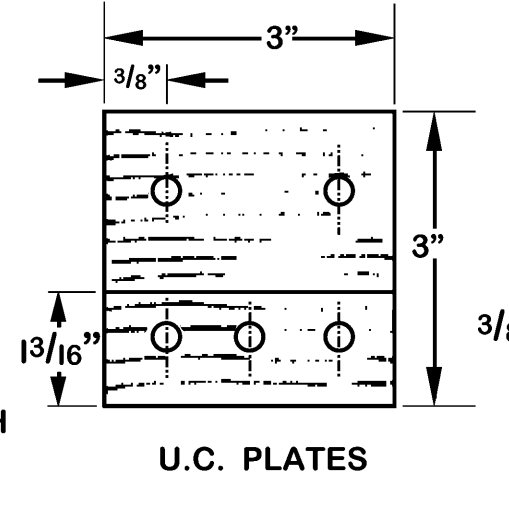
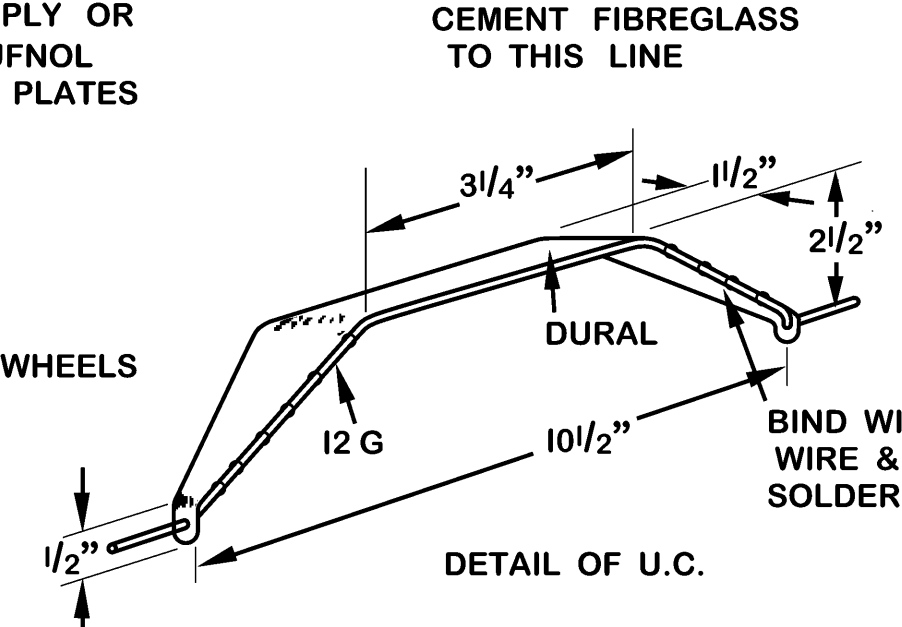
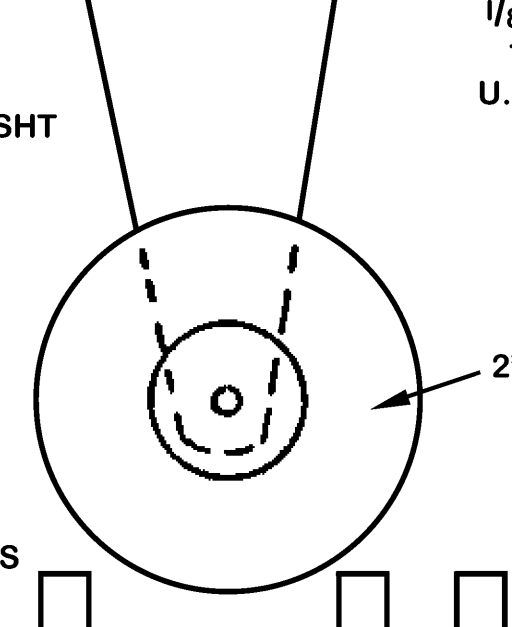
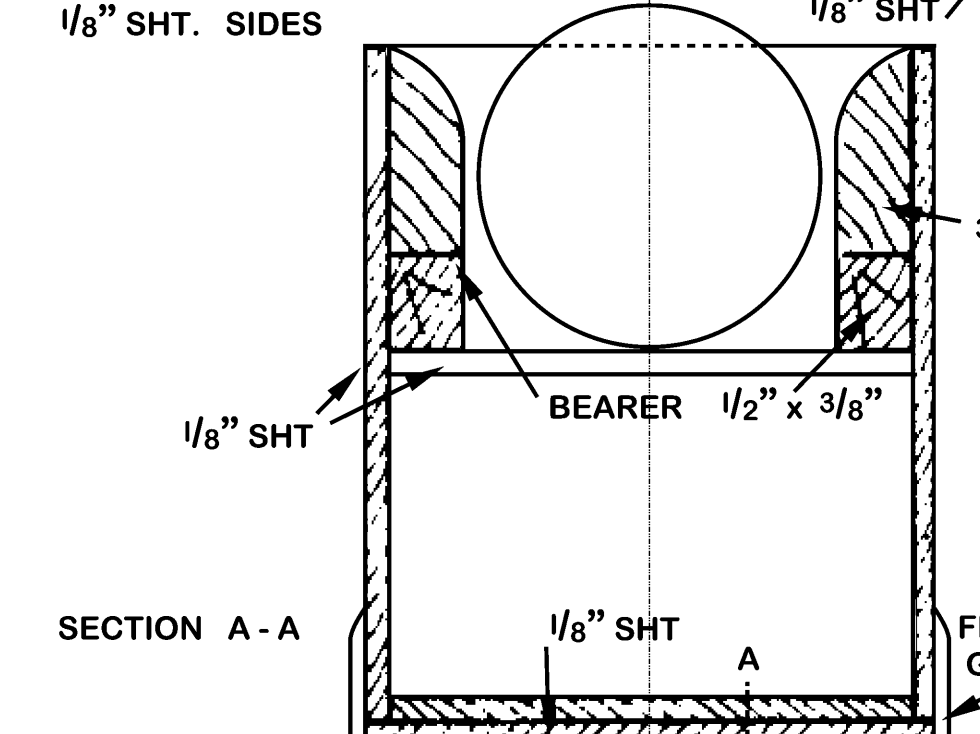
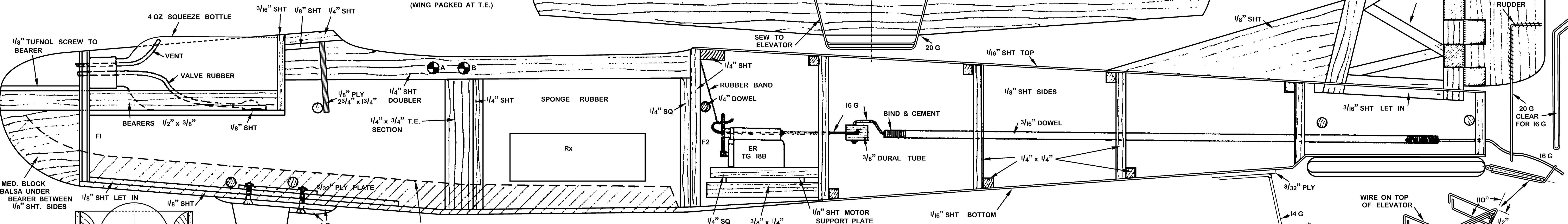
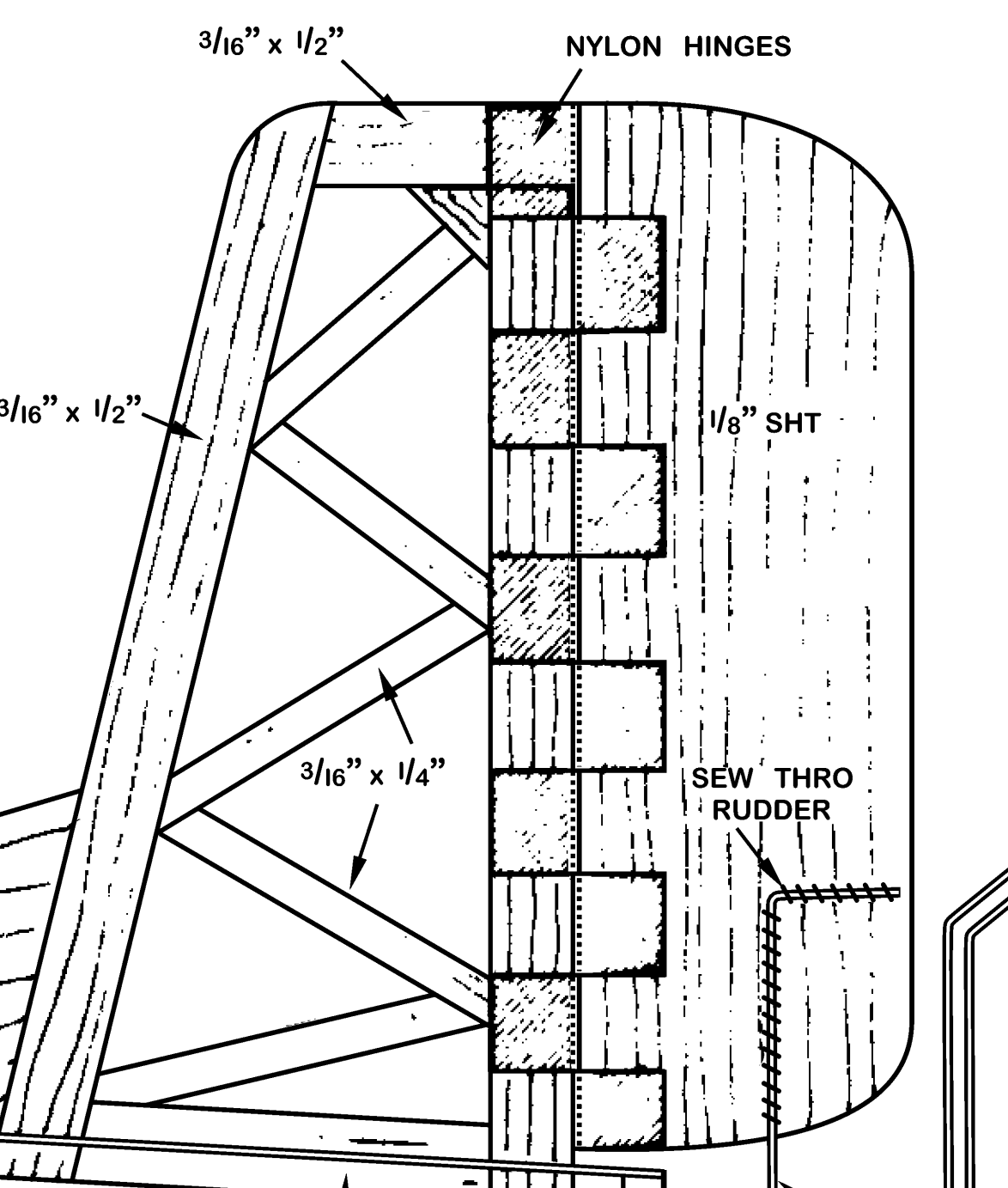


A - C.G. FOR PYLON RACING & RELAY
 B - C.G. FOR STUNT VERSION
 (WING PACKED AT T.E.)



ELEVATOR MAY BE REDUCED FOR FIRST ATTEMPTS OR SPEED FLYING



Cleaners Note:
 Using the dihedral braces as a guide, each wing has 3 degrees of dihedral, which is 2 1/2\"/>

LOOPSTICK
 MA 331 P. LOVEGROVE 7/6
 LENGTH 39" SPAN 45"
 ENGINE 14CC - 6CC
 MODEL AIRCRAFT 1960
 19-20 NOEL ST LONDON W1