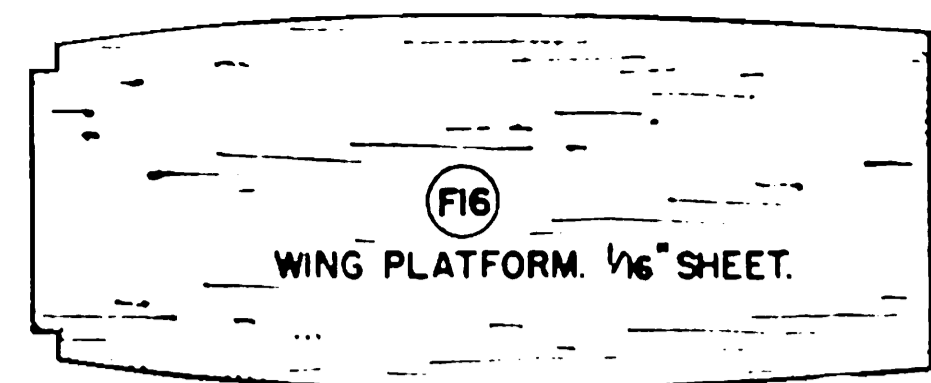
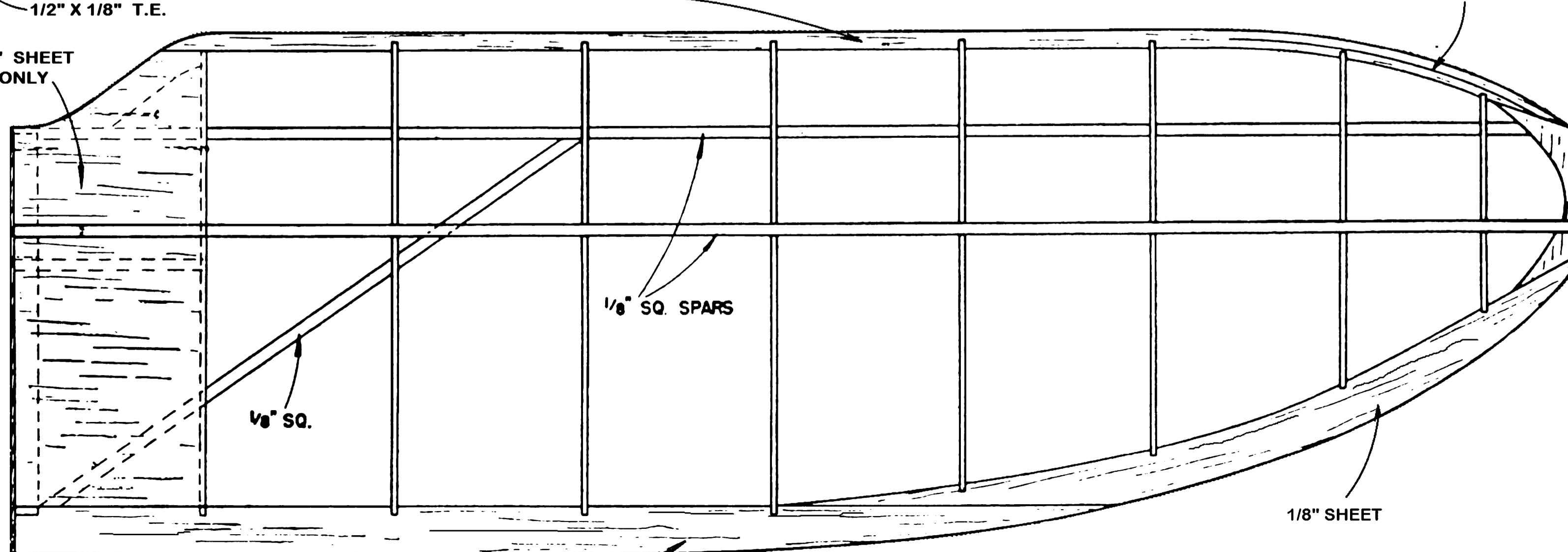
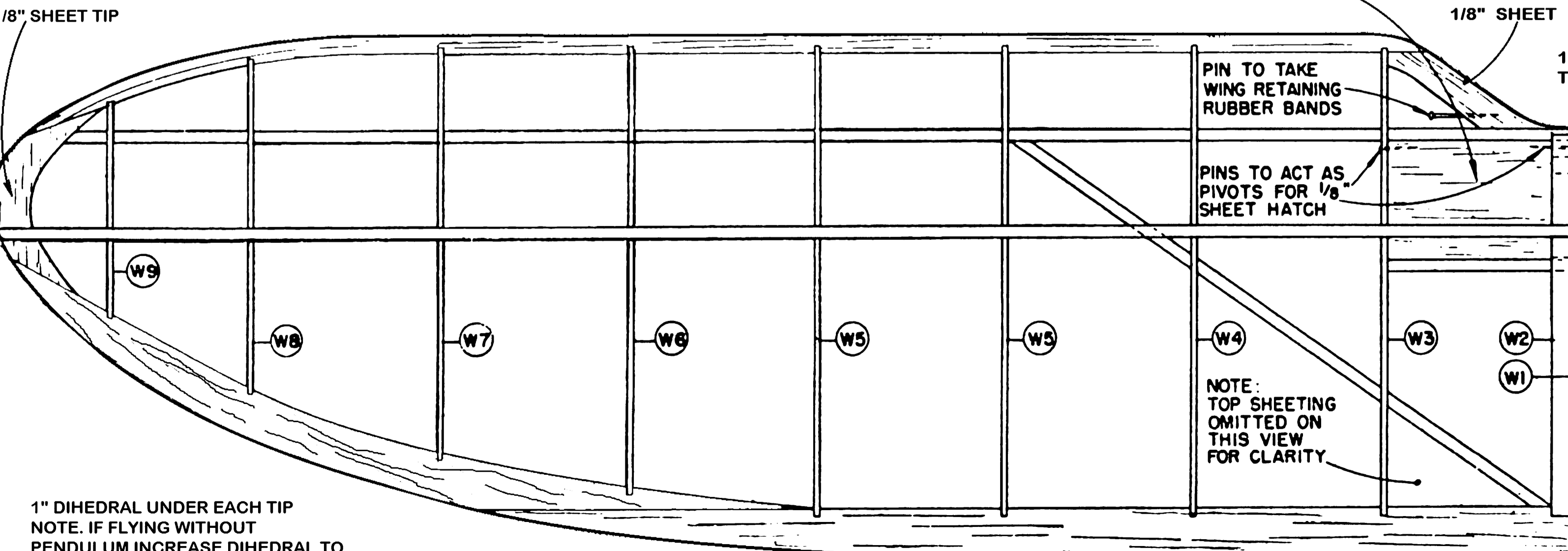
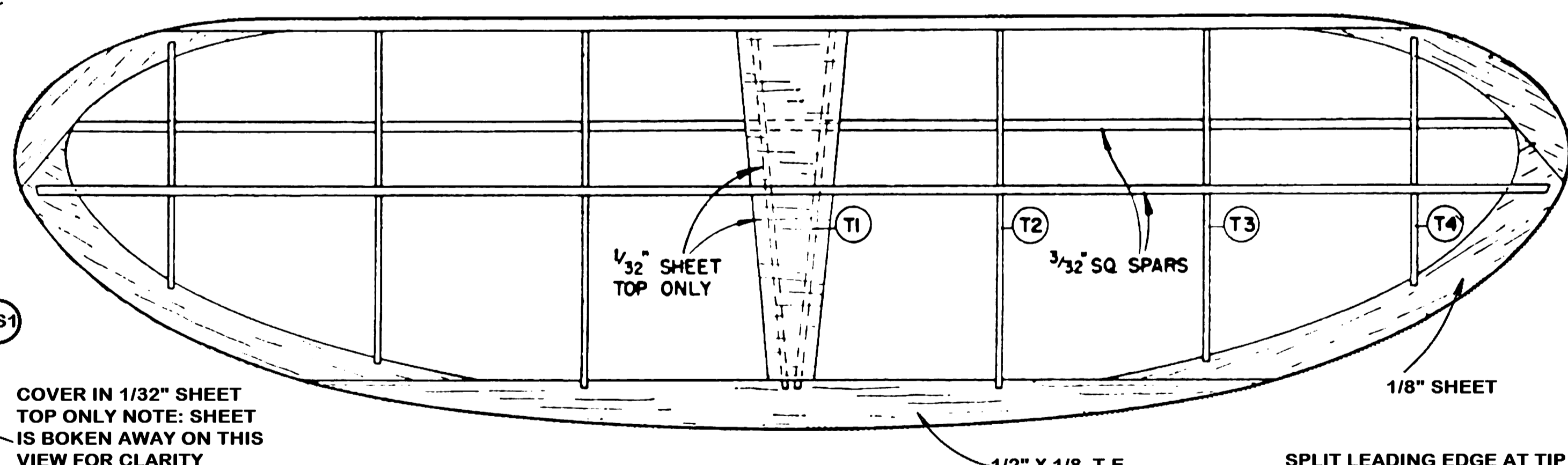
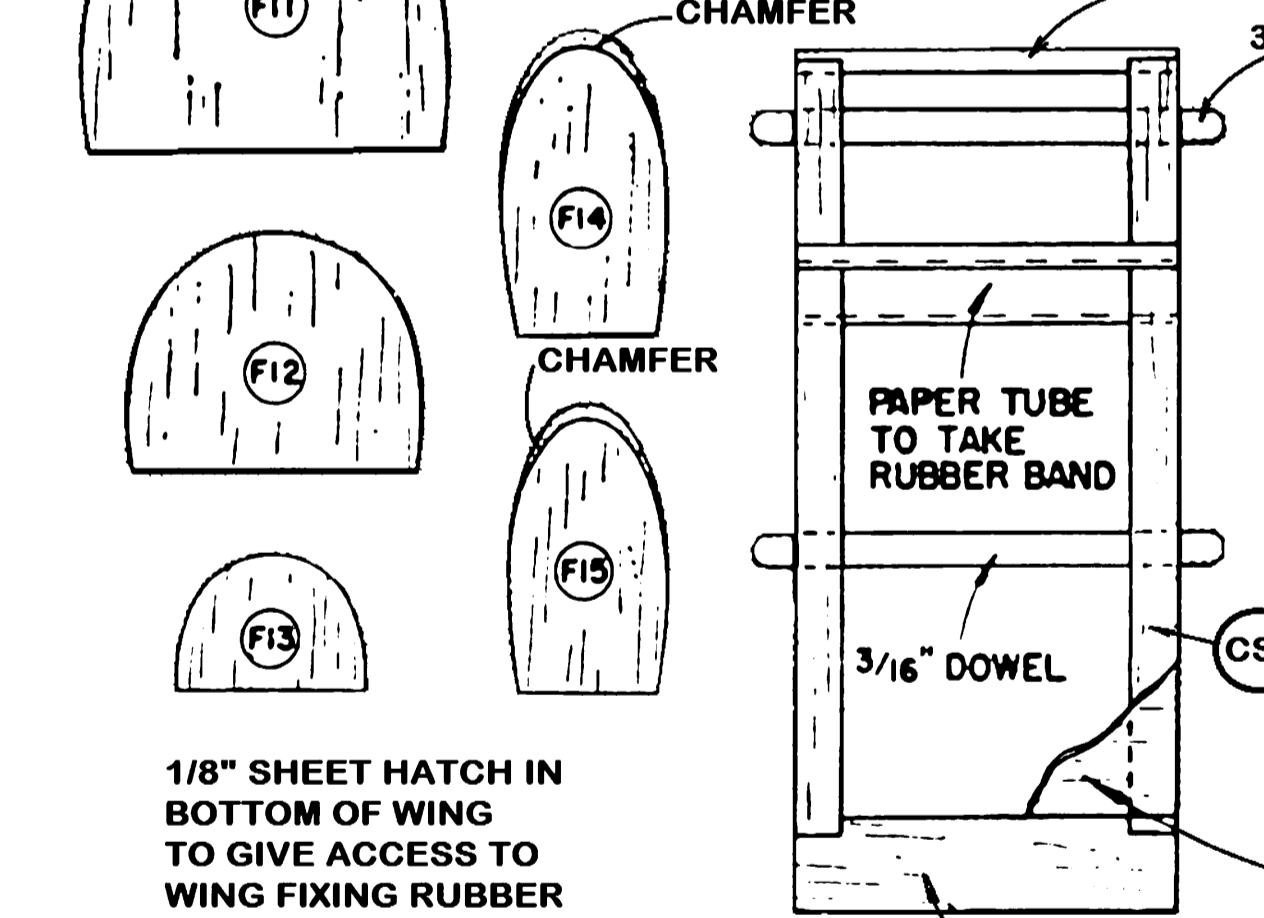
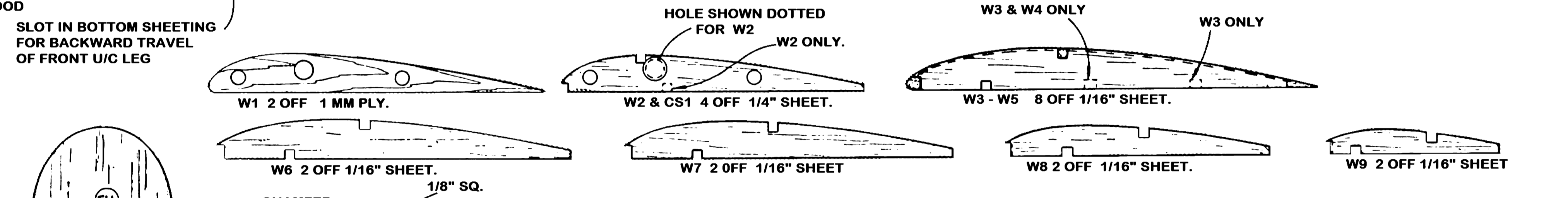
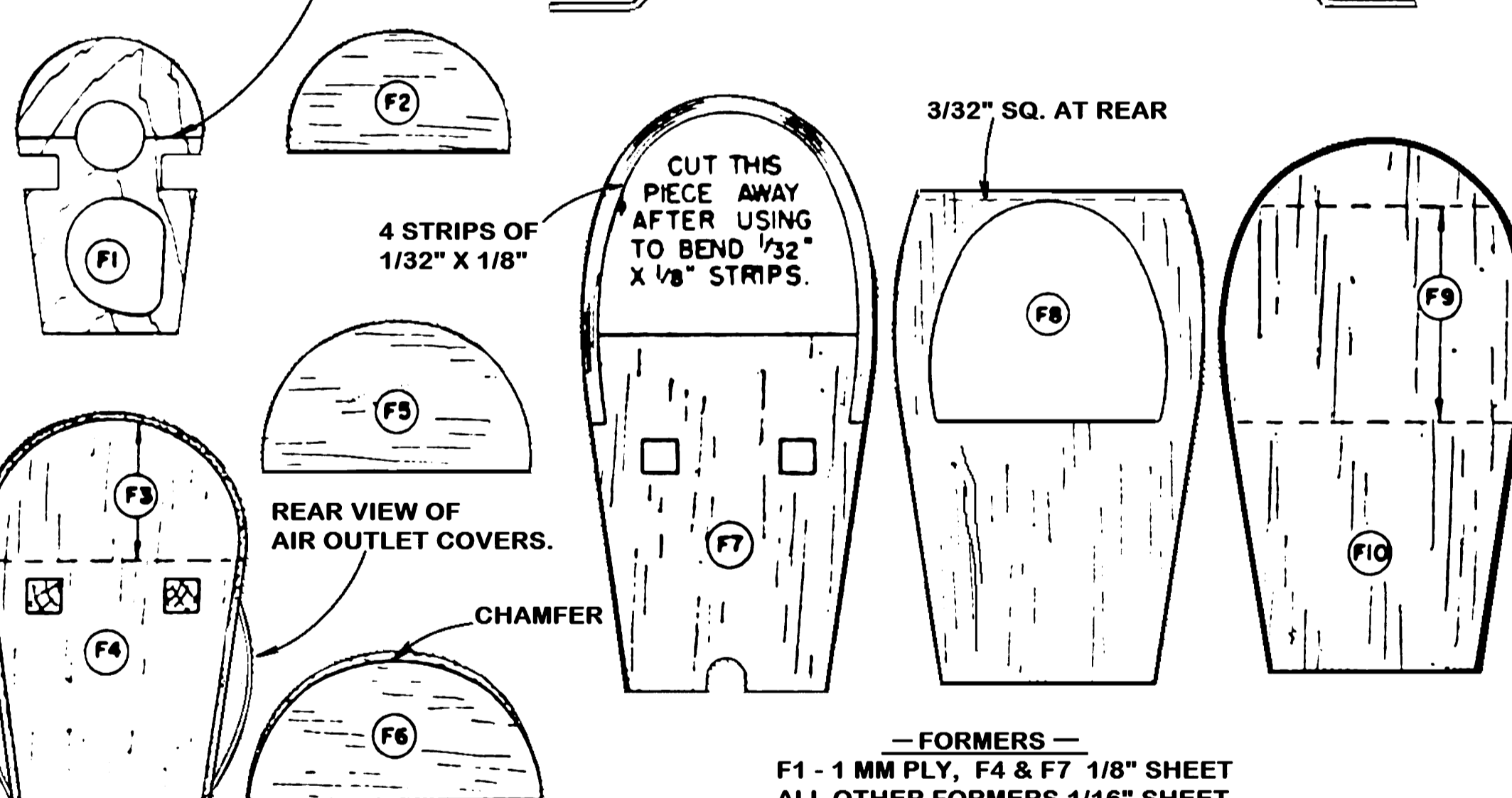
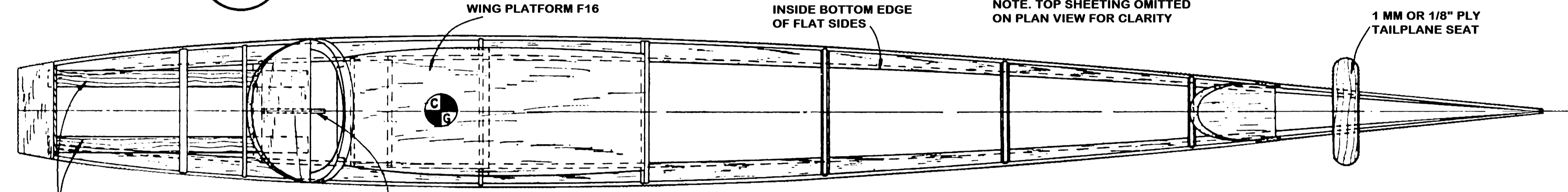
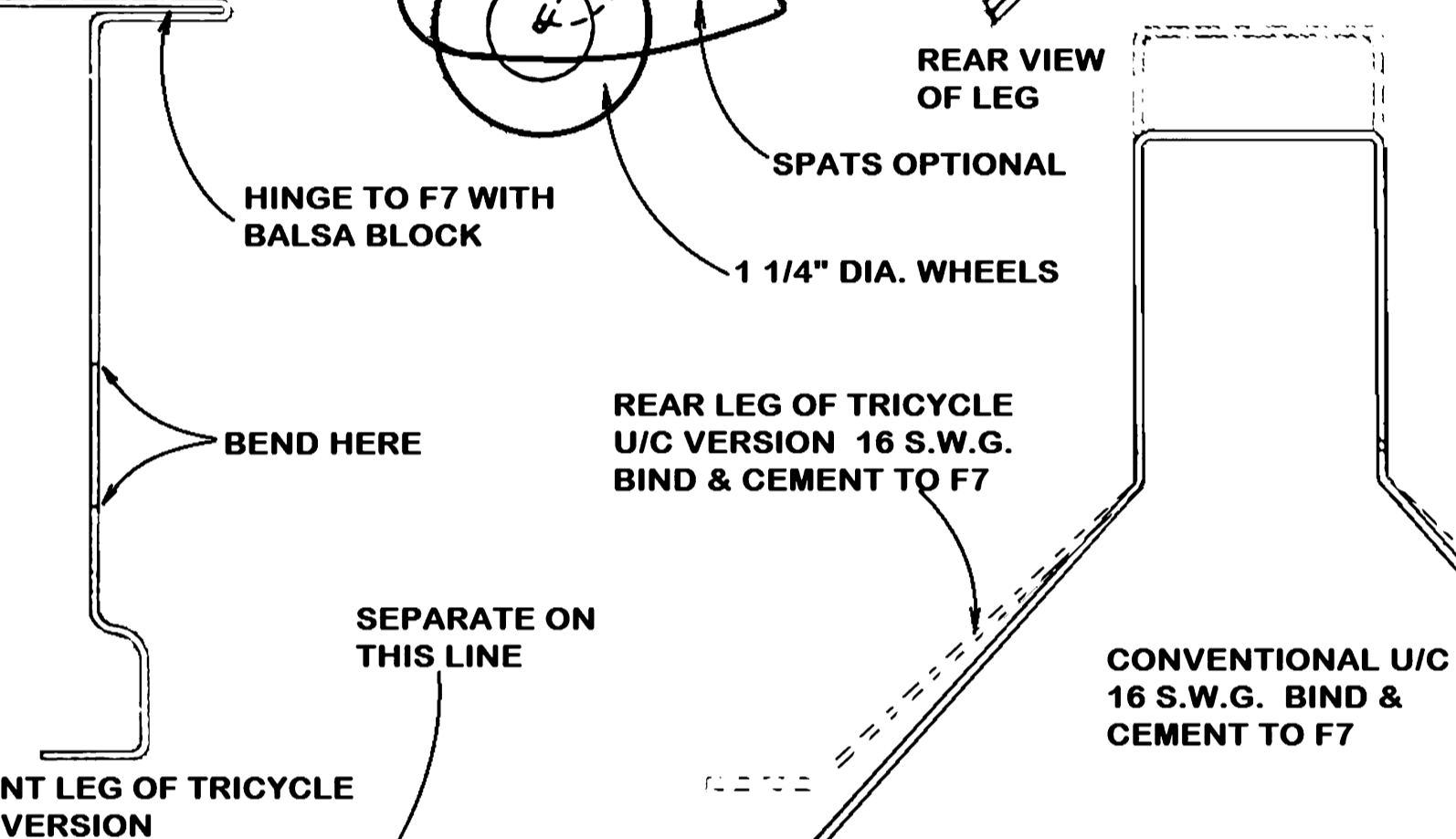
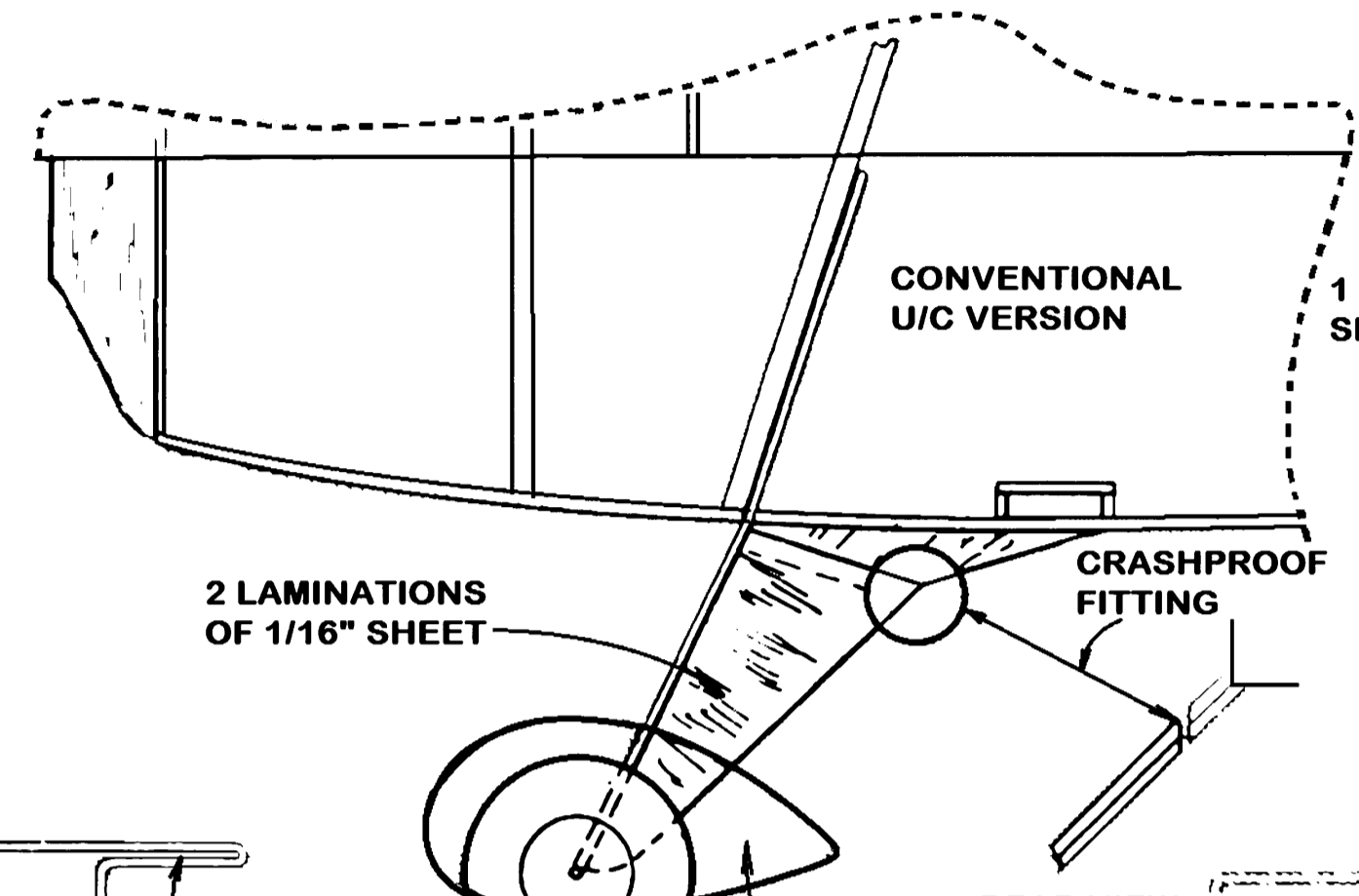
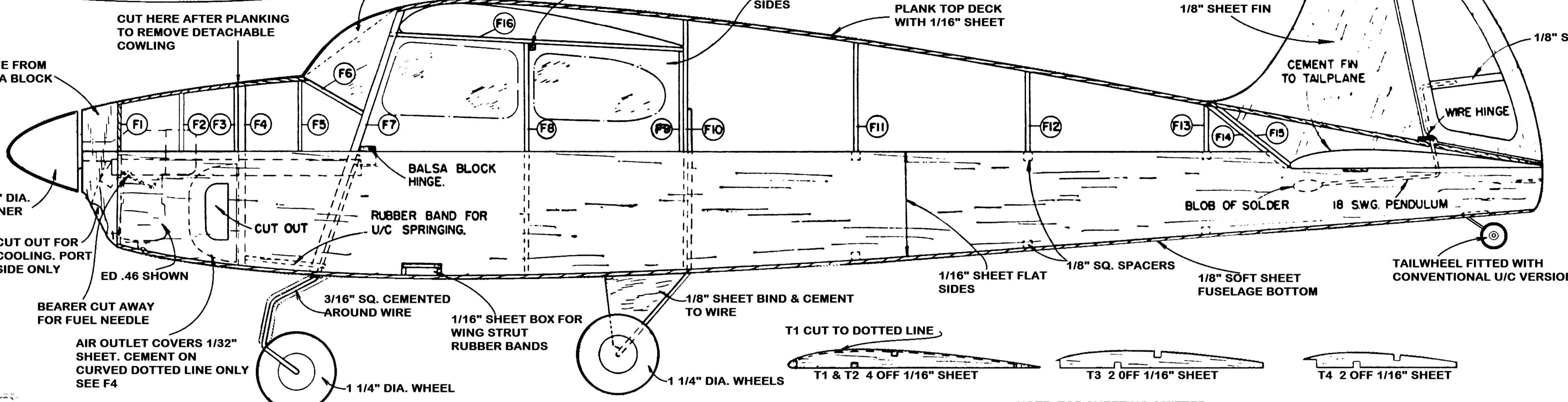


**PEREGRINE**  
 DESIGNED BY  
**R. A. TWOMEY** **4/6**  
 COPYRIGHT OF  
**THE AEROMODELLER PLANS SERVICE**  
 38. CLARENDON RD. WATFORD. HERTS.  
 ALL WOODS ARE Balsa UNLESS OTHERWISE STATED



CARVE FROM Balsa BLOCK



1" DIHEDRAL UNDER EACH TIP  
 NOTE. IF FLYING WITHOUT PENDULUM INCREASE DIHEDRAL TO 2 1/2" BY LENGTHENING WING STRUTS.