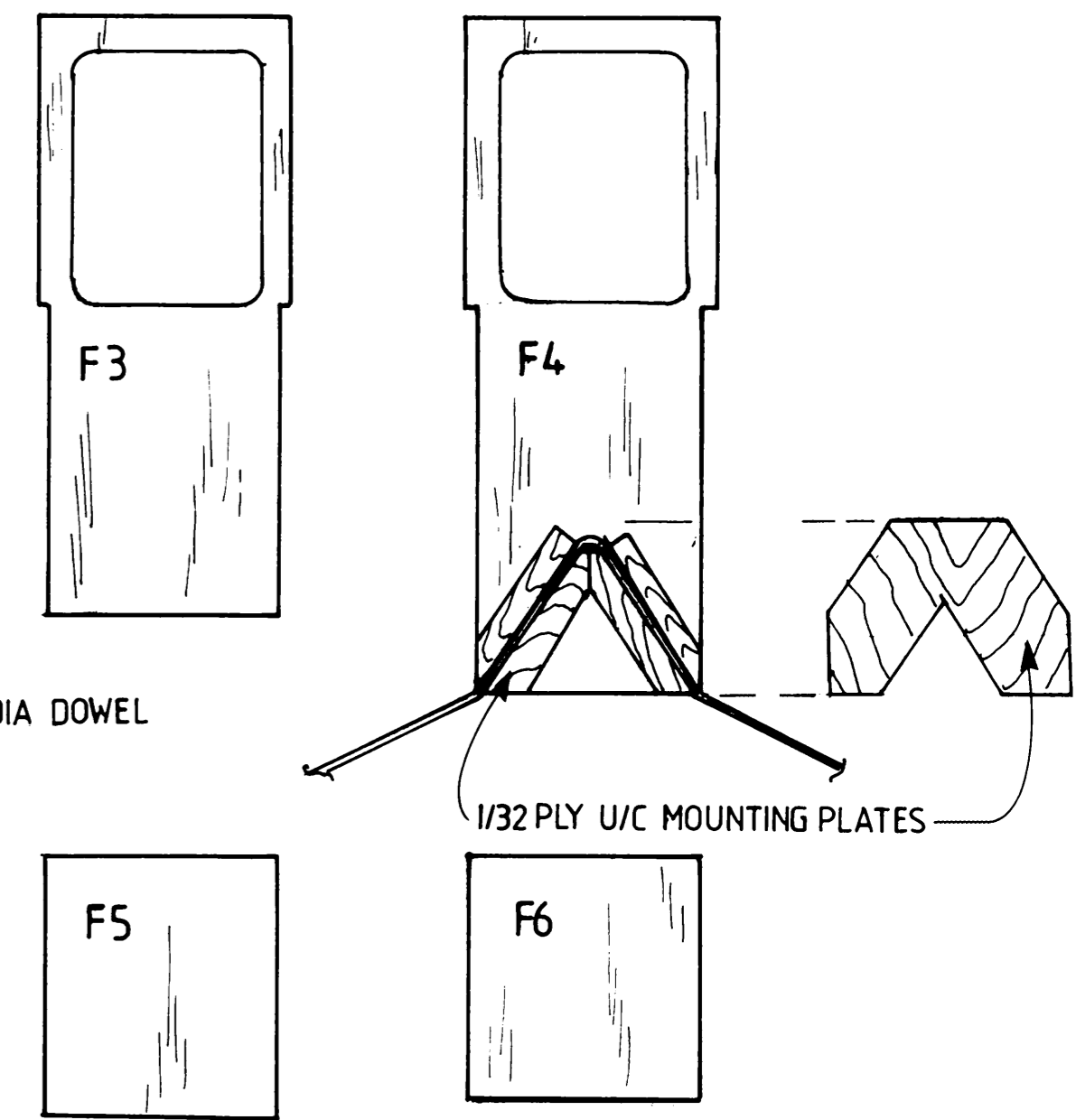
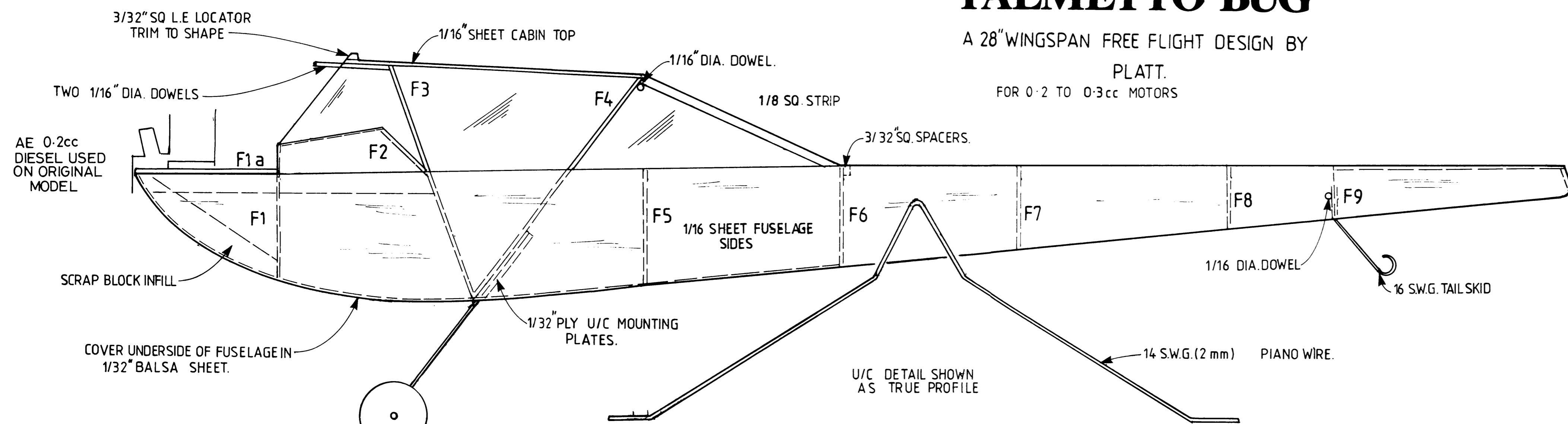


PALMETTO BUG

A 28" WINGSPAN FREE FLIGHT DESIGN BY
PLATT.
FOR 0.2 TO 0.3cc MOTORS



PRESENTED WITH AEROMODELLER NOV.1990. COPYRIGHT ARGUS SPECIALIST PUBLICATIONS, ARGUS HOUSE, BOUNDARY WAY, HEMEL HEMPSTEAD, HERTS., HP2 7ST.

