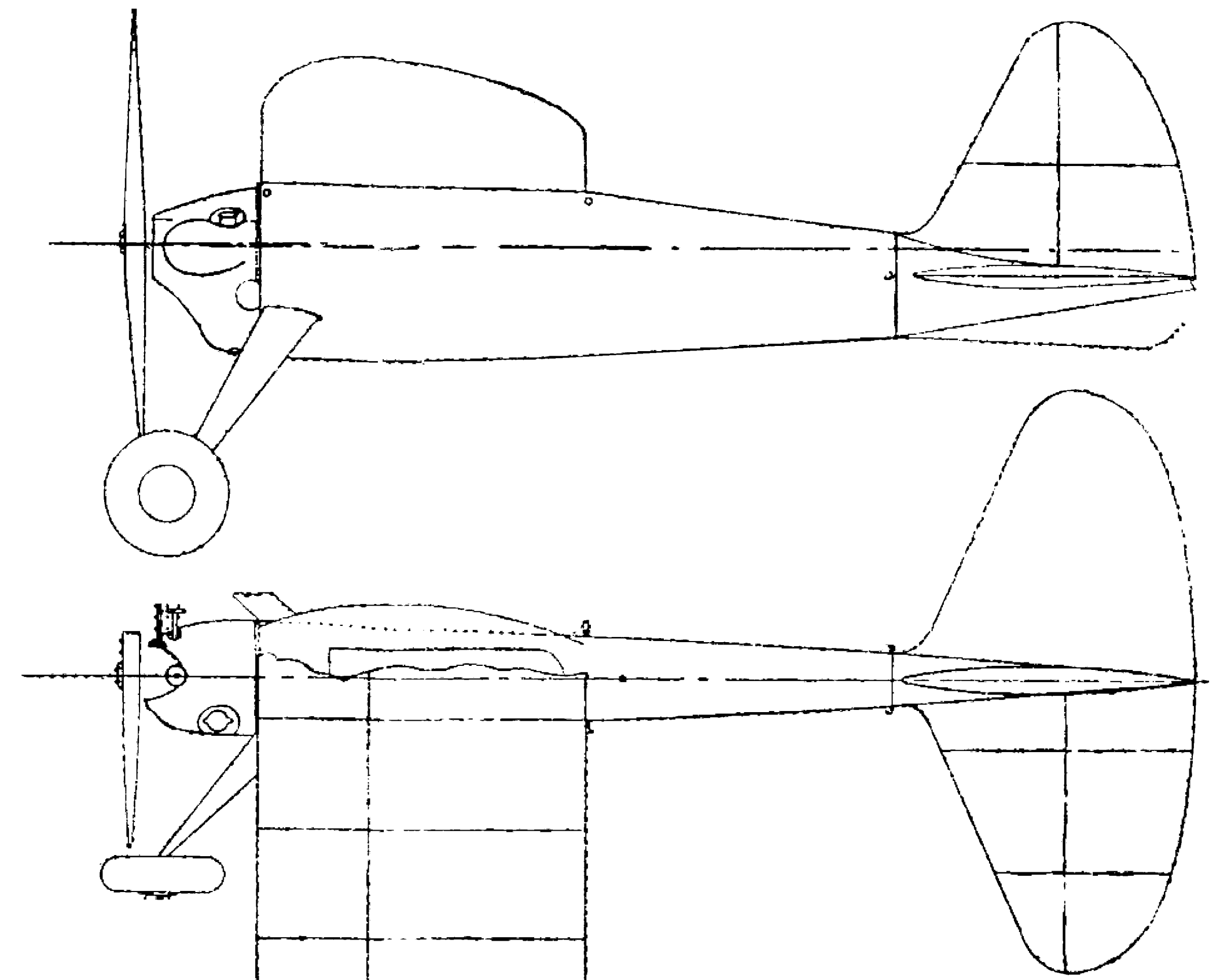
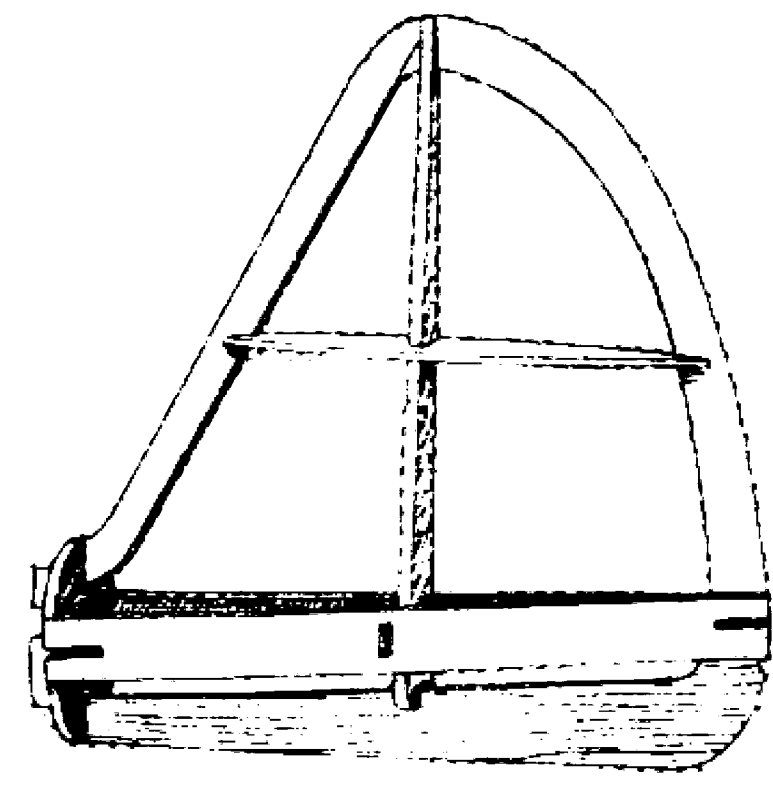
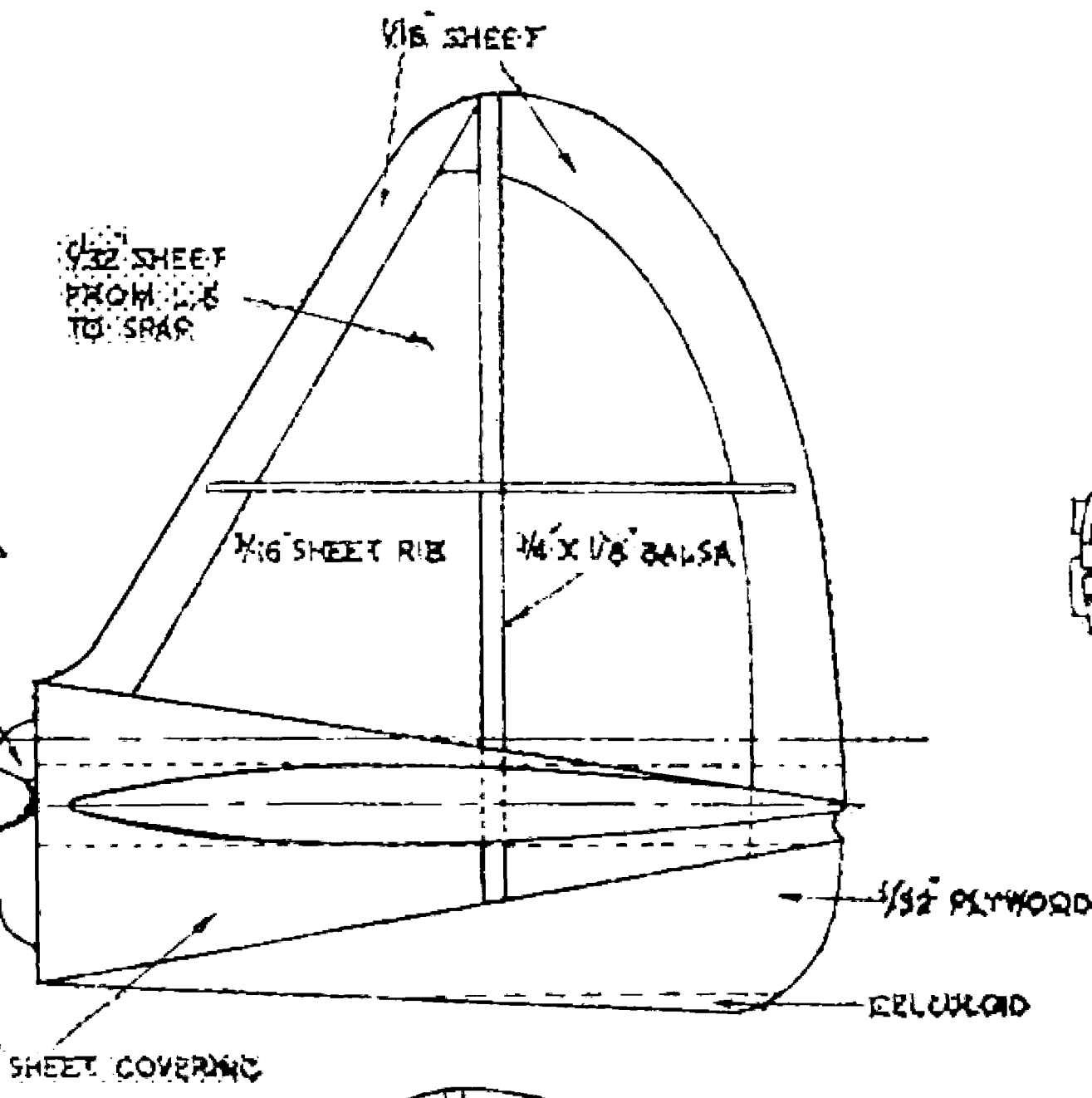
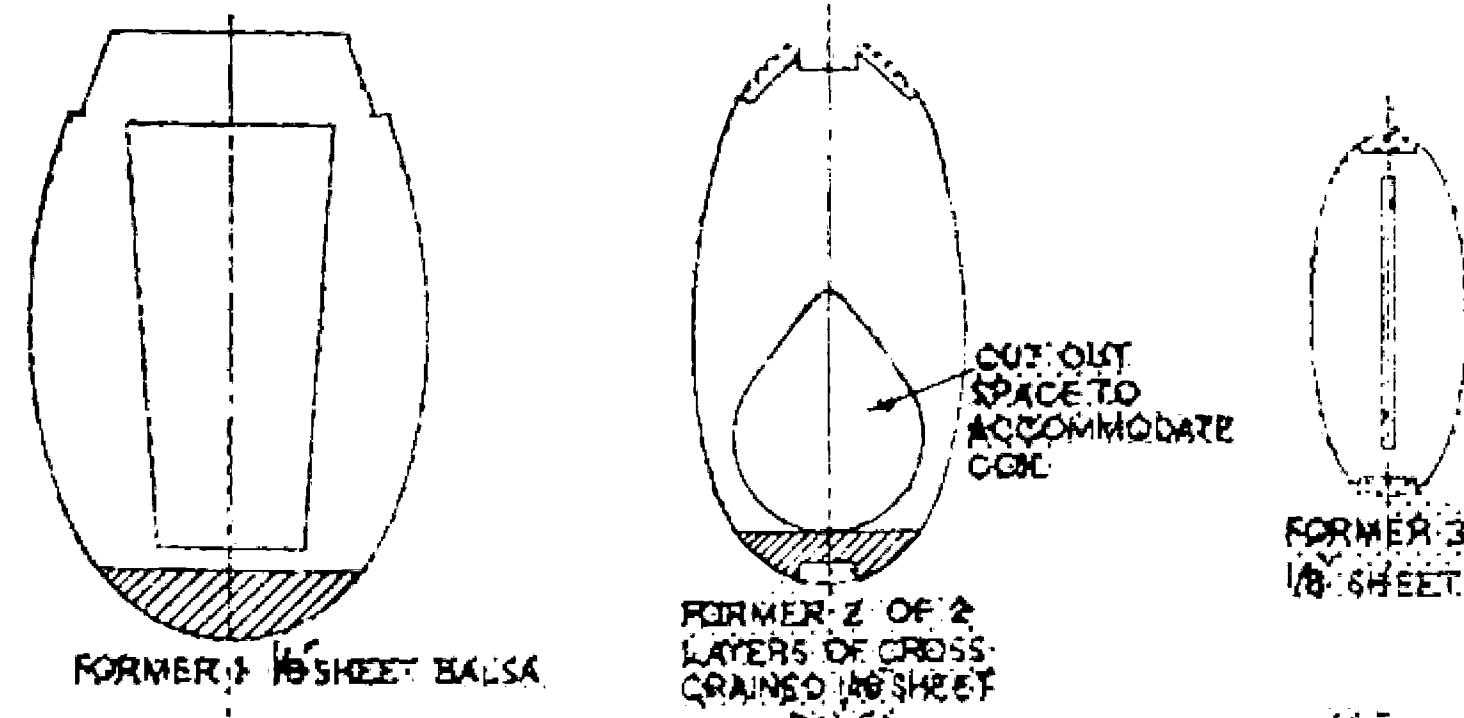
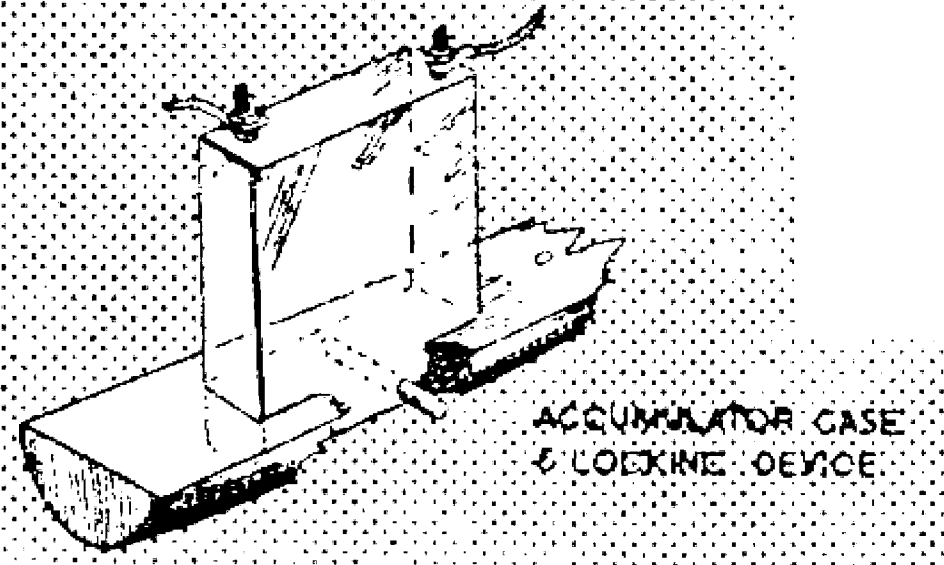
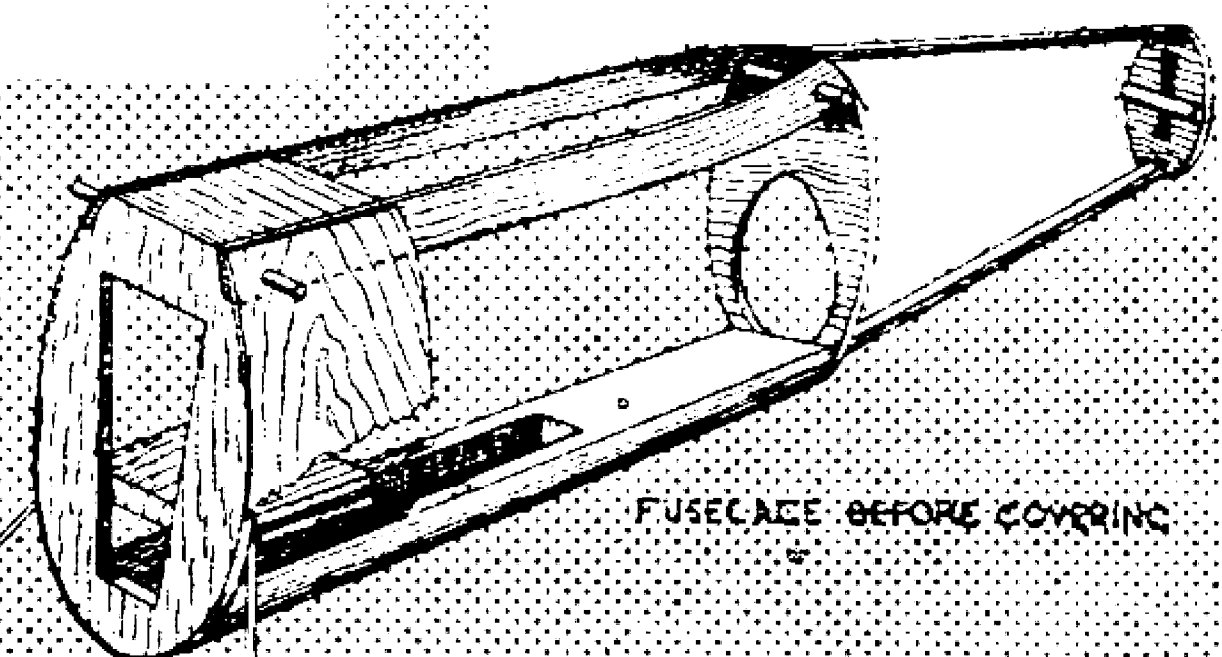
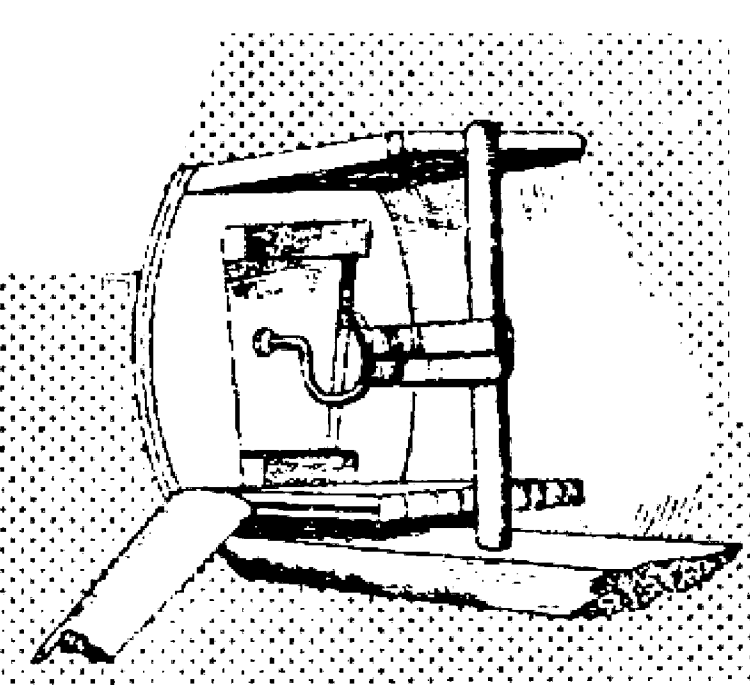
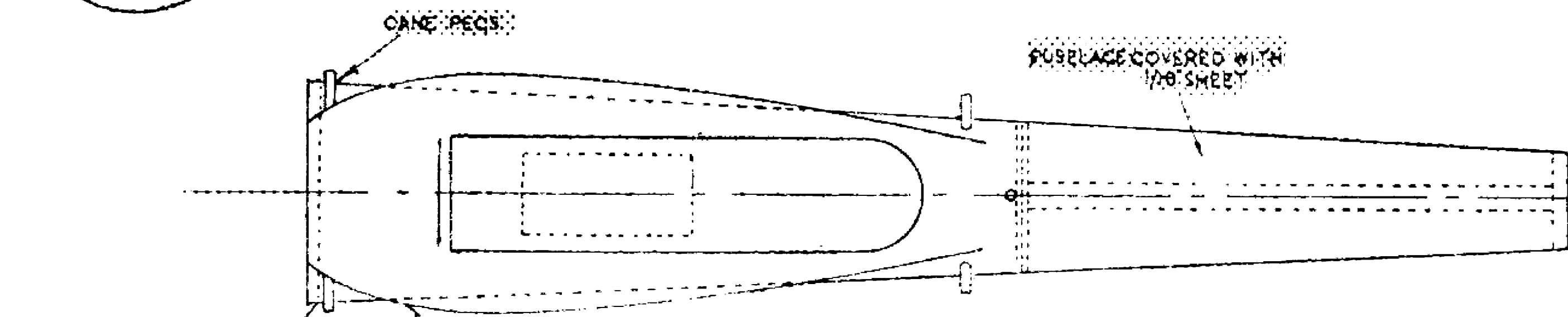
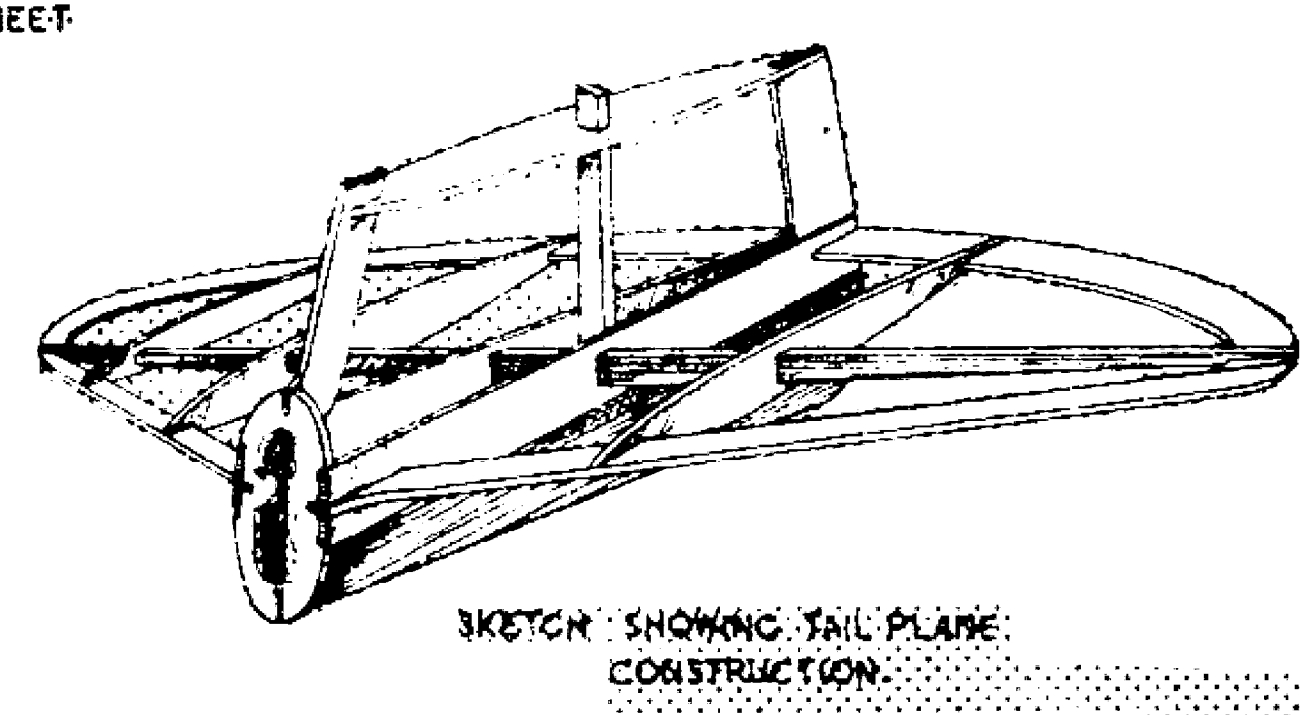
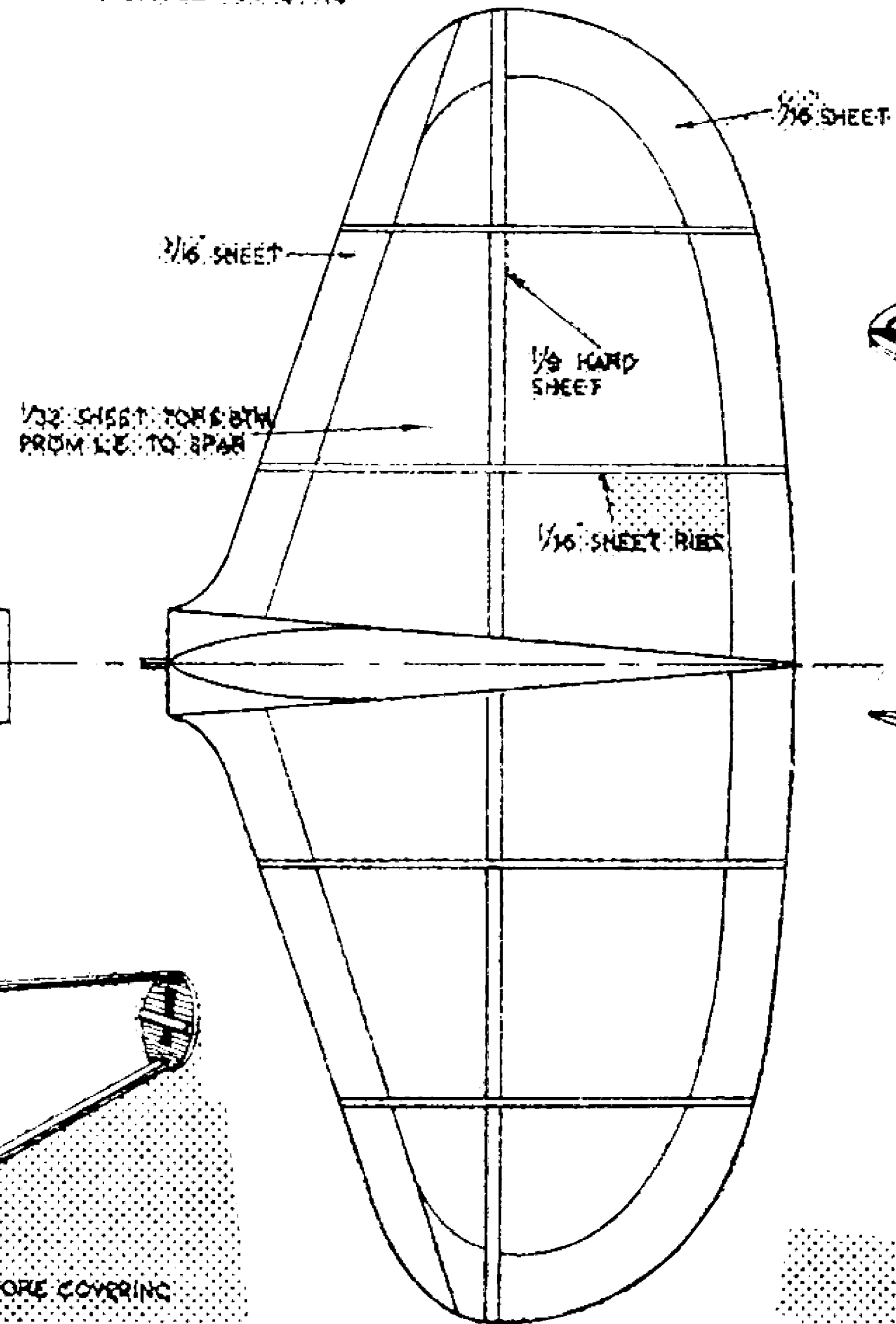
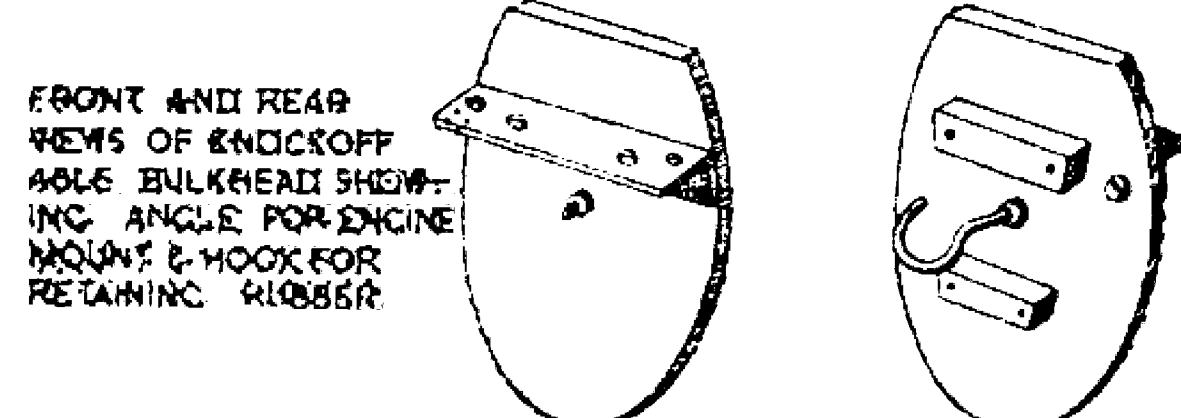
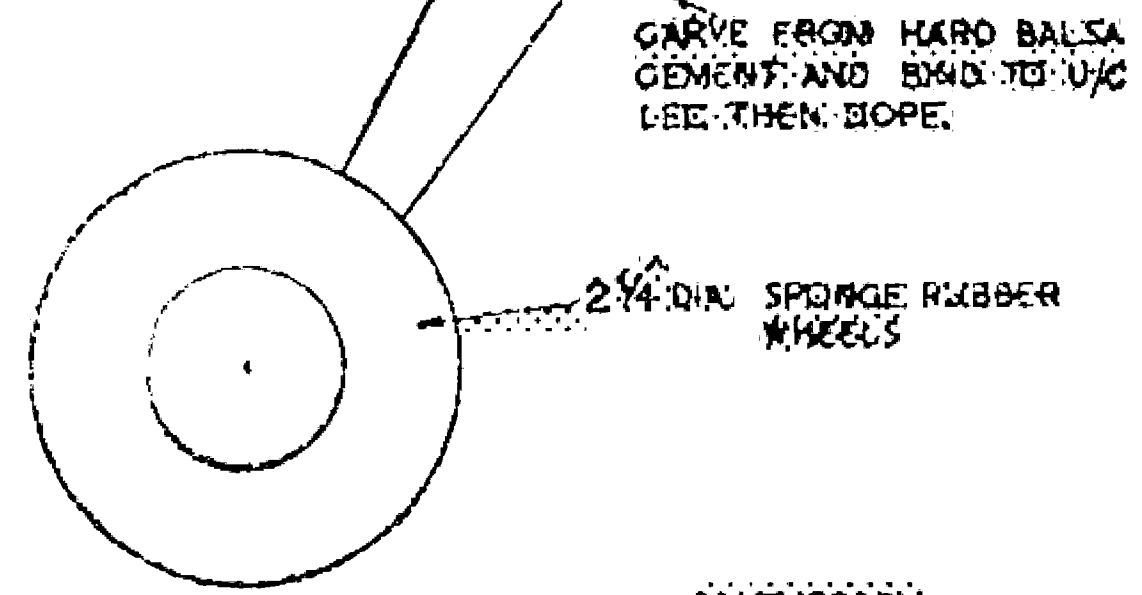
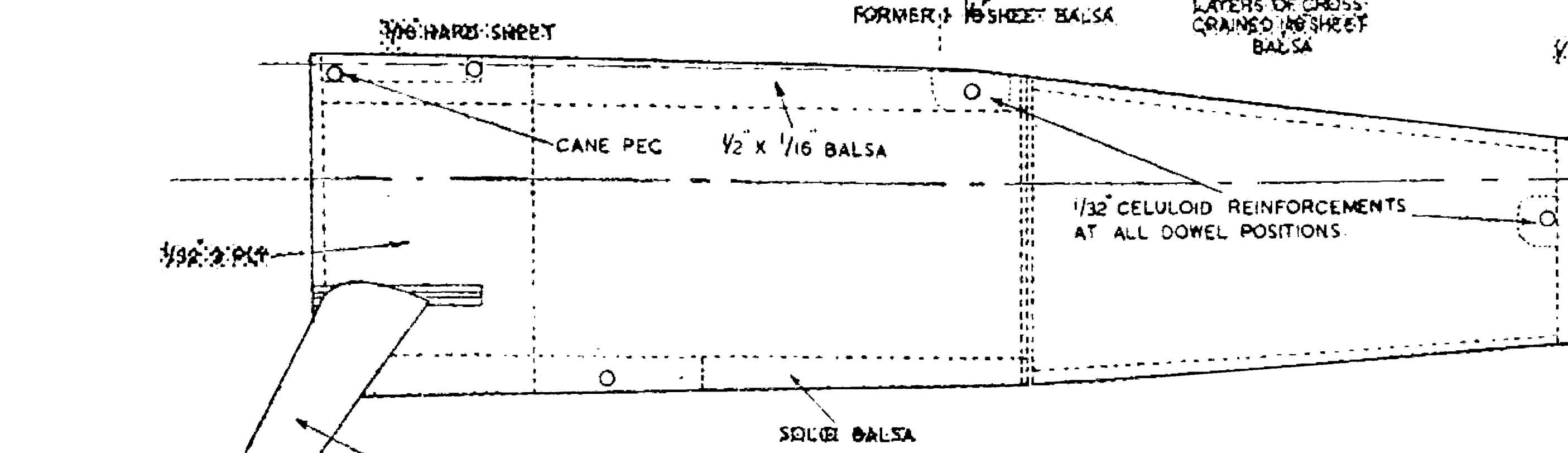


**3/-**



SCALE: 1/2 FULL SIZE  
 SPAN: 3"  
 WING AREA: 18.5 SQ.  
 OVERALL LENGTH: 20"  
 TOTAL FLYING WEIGHT: 4.75 OZS.



SUMMARY OF WEIGHTS

ENGINE & AIRSCREW	0.25
ACCUMULATOR TAPPED UP	0.15
COIL	0.02
CONDENSER	0.04
ENGINE MOUNT	0.04
FUSELAGE & UNDERCARRIAGE	0.20
MAIN PLANE	0.03
FIN & TAIL UNIT	0.01

