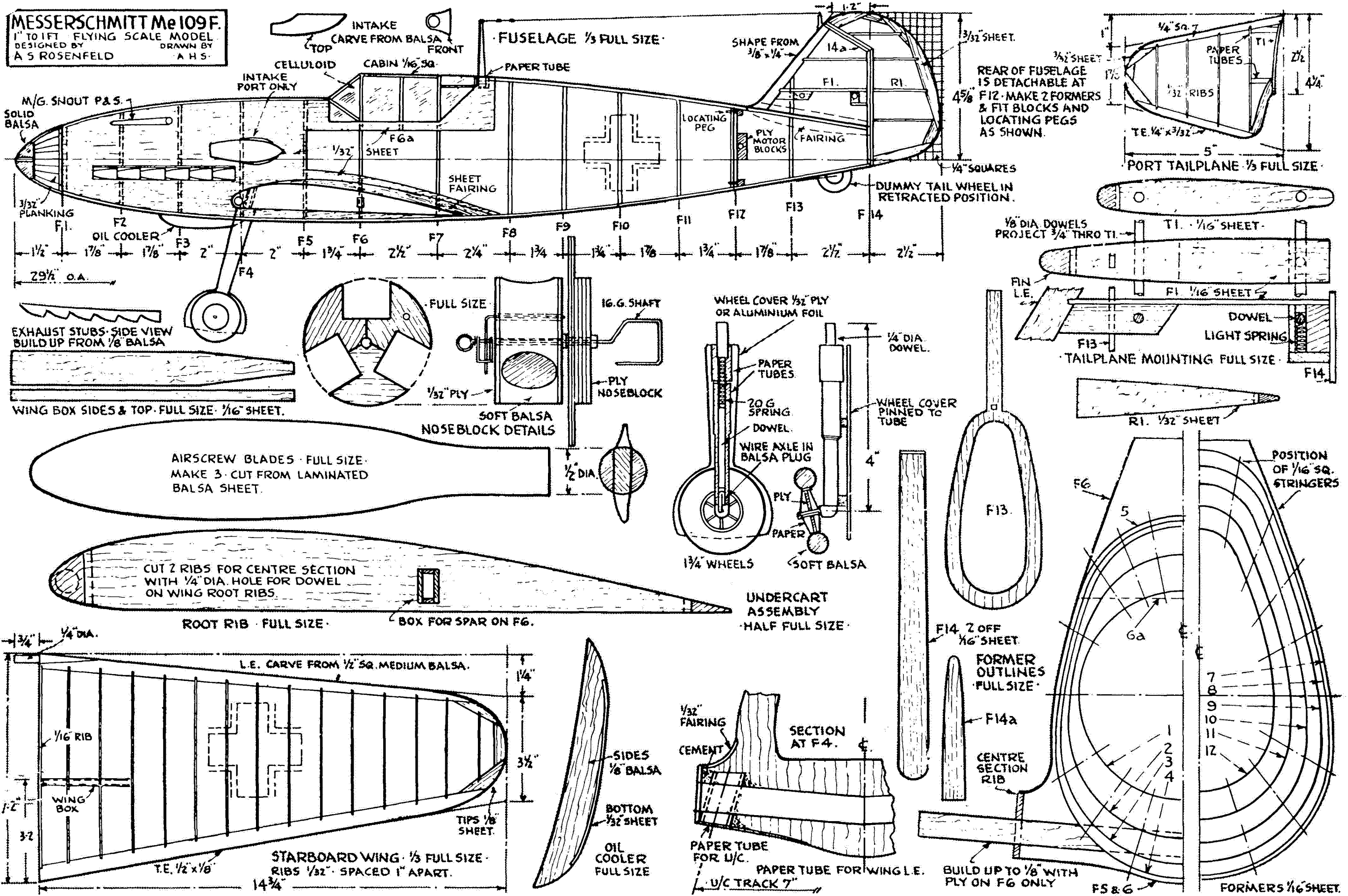


**MESSerschmitt Me 109F.**  
 1" TO 1FT FLYING SCALE MODEL  
 DESIGNED BY A S ROSENFELD  
 DRAWN BY A H S.



**MESSerschmitt Me 109F.**  
 1" TO 1FT FLYING SCALE MODEL  
 DESIGNED BY A S ROSENFELD  
 DRAWN BY A H S.

M/G. SNOUT P&S.  
 SOLID BALS

3/32" PLANKING  
 F1

F2 OIL COOLER

F3

2" F4

F5 1 3/4"

F6 2 1/2"

F7 2 1/4"

F8 1 3/4"

F9 1 1/2"

F10 1 7/8"

F11 1 3/4"

F12 1 7/8"

F13 2 1/2"

F14 2 1/2"

29 1/2" O.A.

EXHAUST STUBS - SIDE VIEW  
 BUILD UP FROM 1/8" BALS

WING BOX SIDES & TOP - FULL SIZE 1/16" SHEET.

AIRSCREW BLADES - FULL SIZE  
 MAKE 3 - CUT FROM LAMINATED  
 BALS

CUT 2 RIBS FOR CENTRE SECTION  
 WITH 1/4" DIA. HOLE FOR DOWEL  
 ON WING ROOT RIBS.

ROOT RIB - FULL SIZE

BOX FOR SPAR ON F6.

1/4" DIA.

L.E. CARVE FROM 1/2" SQ. MEDIUM BALS.

1/16" RIB

WING BOX

3/32"

TIPS 1/8" SHEET.

TE. 1/2" x 1/8"

INTAKE  
 CARVE FROM BALS  
 FRONT

CELLULOID

CABIN 1/16" SQ.

PAPER TUBE

FUSelage 1/3 FULL SIZE

SHAPE FROM 3/8" x 1/4"

F1 F1

F1 R1

LOCATING PEG

PLY MOTOR BLOCKS

FAIRING

45/8"

1/4" SQUARES

DUMMY TAIL WHEEL IN RETRACTED POSITION.

REAR OF FUSelage IS DETACHABLE AT F12 - MAKE 2 FORMERS & FIT BLOCKS AND LOCATING PEGS AS SHOWN.

4 1/2" SQ. 7

PAPER TUBES

TI - 1/16" SHEET

1/32" RIBS

TE. 1/4" x 3/32"

5"

PORT TAILPLANE 1/3 FULL SIZE

1/8" DIA DOWELS PROJECT 3/4" THRO TI

TI - 1/16" SHEET

FIN L.E.

F1 1/16" SHEET

DOWEL LIGHT SPRING

F13

TAILPLANE MOUNTING FULL SIZE

F14

RI. 1/32" SHEET

WHEEL COVER 1/32" PLY OR ALUMINIUM FOIL

PAPER TUBES

20 G SPRING

DOWEL

WIRE AXLE IN BALS

PLY

PAPER

SOFT BALS

1 1/4" WHEELS

1/4" DIA. DOWEL

WHEEL COVER PINNED TO TUBE

4"

UNDERCART ASSEMBLY - HALF FULL SIZE

F14 2 OFF 1/16" SHEET

FORMER OUTLINES - FULL SIZE

F14a

CENTRE SECTION RIB

BUILD UP TO 1/8" WITH PLY ON F6 ONLY

FS & G

FORMERS 1/16" SHEET

1 2 3 4

7 8 9 10 11 12

POSITION OF 1/16" SQ. STRINGERS

5

6a

1 2 3 4

7 8 9 10 11 12

FORMERS 1/16" SHEET

14 3/4"

STARBOARD WING 1/3 FULL SIZE

RIBS 1/32" SPACED 1" APART.

INTAKE

CELLULOID

CABIN 1/16" SQ.

PAPER TUBE

FUSelage 1/3 FULL SIZE

SHAPE FROM 3/8" x 1/4"

F1 F1

F1 R1

LOCATING PEG

PLY MOTOR BLOCKS

FAIRING

45/8"

1/4" SQUARES

DUMMY TAIL WHEEL IN RETRACTED POSITION.

REAR OF FUSelage IS DETACHABLE AT F12 - MAKE 2 FORMERS & FIT BLOCKS AND LOCATING PEGS AS SHOWN.

4 1/2" SQ. 7

PAPER TUBES

TI - 1/16" SHEET

1/32" RIBS

TE. 1/4" x 3/32"

5"

PORT TAILPLANE 1/3 FULL SIZE

1/8" DIA DOWELS PROJECT 3/4" THRO TI

TI - 1/16" SHEET

FIN L.E.

F1 1/16" SHEET

DOWEL LIGHT SPRING

F13

TAILPLANE MOUNTING FULL SIZE

F14

RI. 1/32" SHEET

WHEEL COVER 1/32" PLY OR ALUMINIUM FOIL

PAPER TUBES

20 G SPRING

DOWEL

WIRE AXLE IN BALS

PLY

PAPER

SOFT BALS

1 1/4" WHEELS

1/4" DIA. DOWEL

WHEEL COVER PINNED TO TUBE

4"

UNDERCART ASSEMBLY - HALF FULL SIZE

F14 2 OFF 1/16" SHEET

FORMER OUTLINES - FULL SIZE

F14a

CENTRE SECTION RIB

BUILD UP TO 1/8" WITH PLY ON F6 ONLY

FS & G

FORMERS 1/16" SHEET

1 2 3 4

7 8 9 10 11 12

POSITION OF 1/16" SQ. STRINGERS

5

6a

1 2 3 4

7 8 9 10 11 12

FORMERS 1/16" SHEET

14 3/4"

STARBOARD WING 1/3 FULL SIZE

RIBS 1/32" SPACED 1" APART.

INTAKE

CELLULOID

CABIN 1/16" SQ.

PAPER TUBE

FUSelage 1/3 FULL SIZE

SHAPE FROM 3/8" x 1/4"

F1 F1

F1 R1

LOCATING PEG

PLY MOTOR BLOCKS

FAIRING

45/8"

1/4" SQUARES

DUMMY TAIL WHEEL IN RETRACTED POSITION.

REAR OF FUSelage IS DETACHABLE AT F12 - MAKE 2 FORMERS & FIT BLOCKS AND LOCATING PEGS AS SHOWN.

4 1/2" SQ. 7

PAPER TUBES

TI - 1/16" SHEET

1/32" RIBS

TE. 1/4" x 3/32"

5"

PORT TAILPLANE 1/3 FULL SIZE

1/8" DIA DOWELS PROJECT 3/4" THRO TI

TI - 1/16" SHEET

FIN L.E.

F1 1/16" SHEET

DOWEL LIGHT SPRING

F13

TAILPLANE MOUNTING FULL SIZE

F14

RI. 1/32" SHEET

WHEEL COVER 1/32" PLY OR ALUMINIUM FOIL

PAPER TUBES

20 G SPRING

DOWEL

WIRE AXLE IN BALS

PLY

PAPER

SOFT BALS

1 1/4" WHEELS

1/4" DIA. DOWEL

WHEEL COVER PINNED TO TUBE

4"

UNDERCART ASSEMBLY - HALF FULL SIZE

F14 2 OFF 1/16" SHEET

FORMER OUTLINES - FULL SIZE

F14a

CENTRE SECTION RIB

BUILD UP TO 1/8" WITH PLY ON F6 ONLY

FS & G

FORMERS 1/16" SHEET

1 2 3 4

7 8 9 10 11 12

POSITION OF 1/16" SQ. STRINGERS

5

6a

1 2 3 4

7 8 9 10 11 12

FORMERS 1/16" SHEET

14 3/4"

STARBOARD WING 1/3 FULL SIZE

RIBS 1/32" SPACED 1" APART.