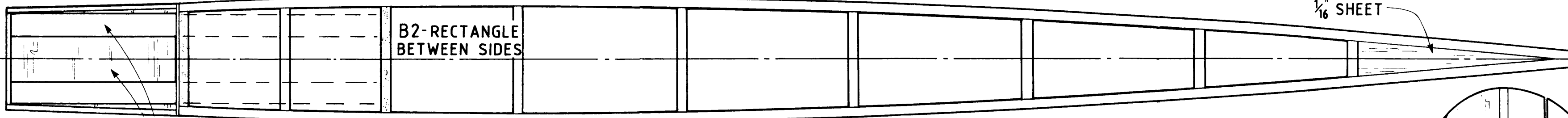
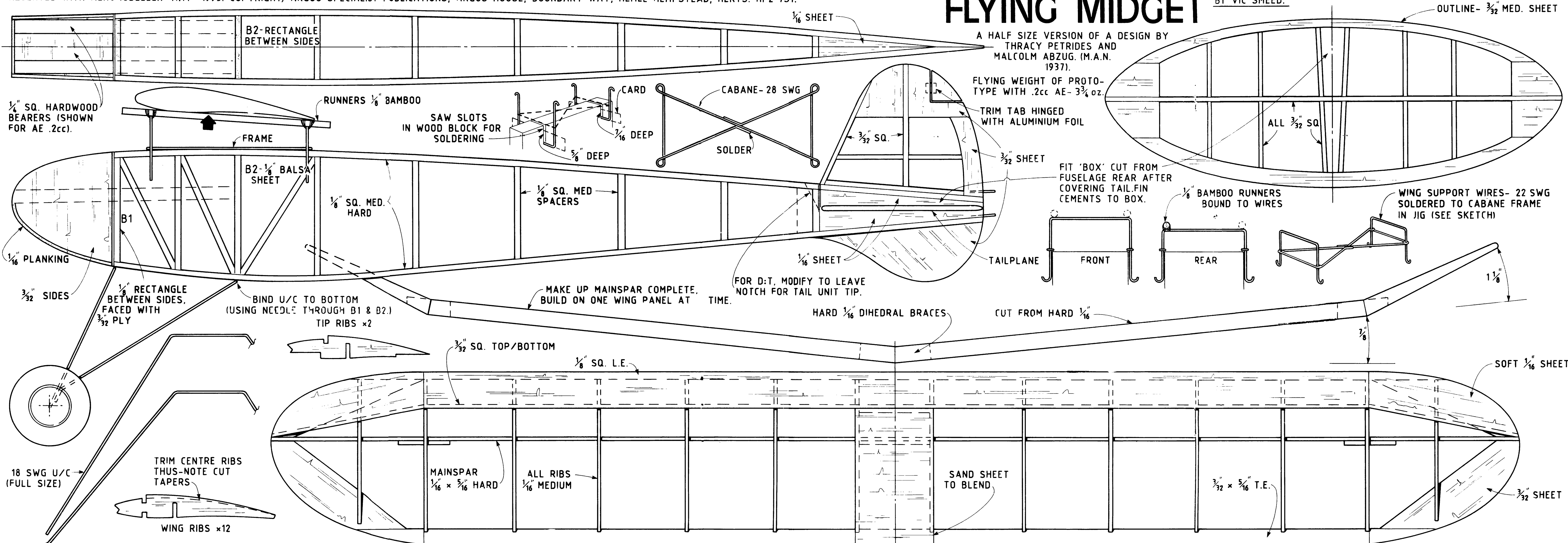


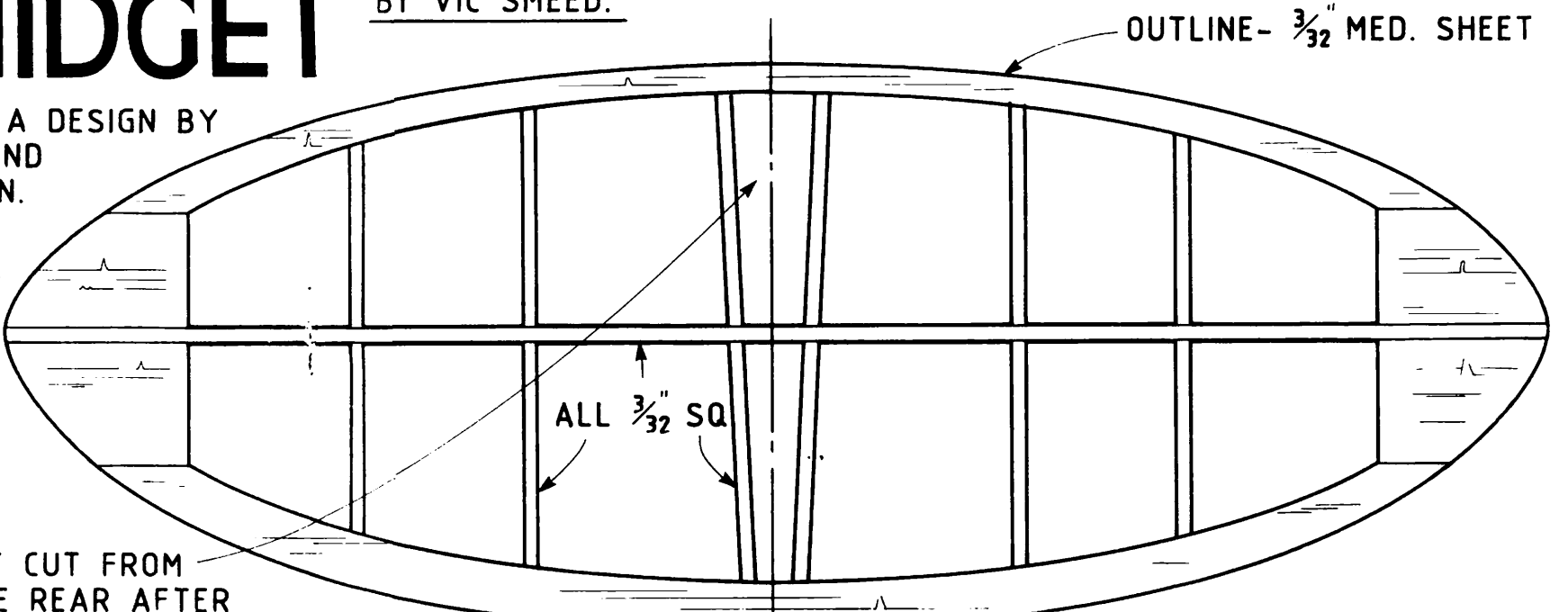
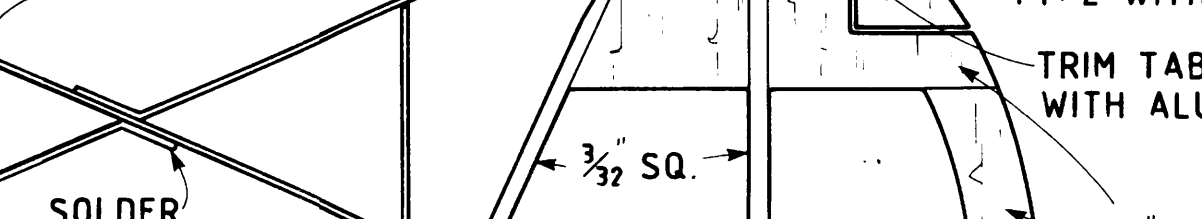
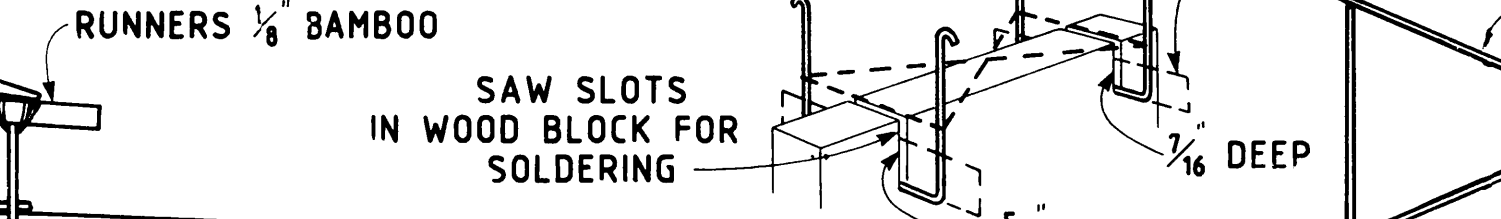
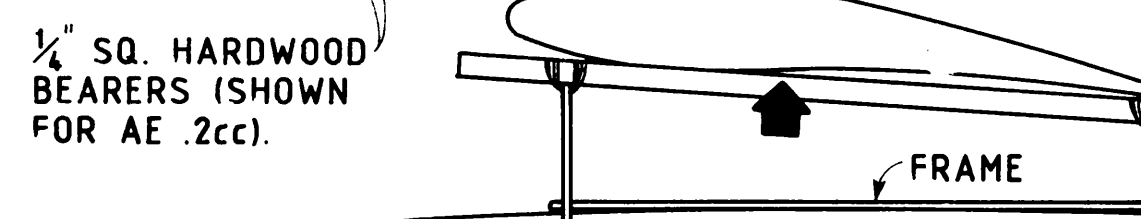
FLYING MIDGET BY VIC SMEED.

A HALF SIZE VERSION OF A DESIGN BY THRACY PETRIDES AND MALCOLM ABZUG. (M.A.N. 1937).

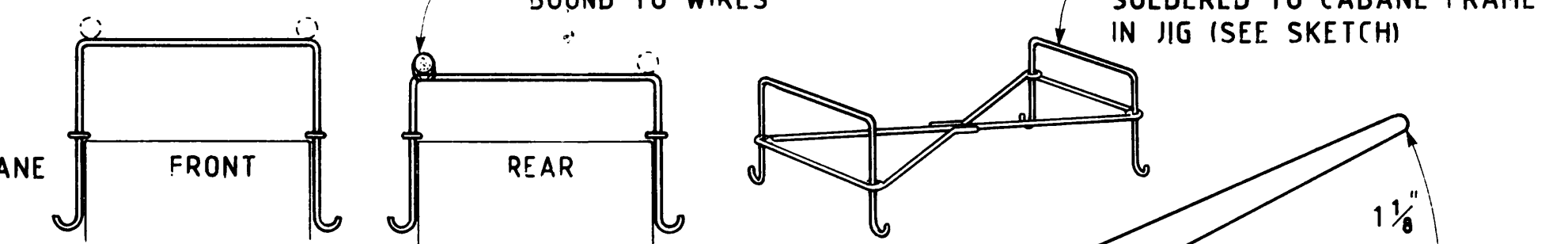
FLYING WEIGHT OF PROTOTYPE WITH .2cc AE- 3 3/4 oz.



1/4" SQ. HARDWOOD BEARERS (SHOWN FOR AE .2cc).



FIT 'BOX' CUT FROM FUSELAGE REAR AFTER COVERING TAIL.FIN CEMENTS TO BOX.



1/16" PLANKING



BIND U/C TO BOTTOM (USING NEEDLE THROUGH B1 & B2.) TIP RIBS x2

MAKE UP MAINSPAR COMPLETE. BUILD ON ONE WING PANEL AT TIME.

FOR D:T, MODIFY TO LEAVE NOTCH FOR TAIL UNIT TIP.

HARD 1/16" DIHEDRAL BRACES

CUT FROM HARD 1/16"

18 SWG U/C (FULL SIZE)

TRIM CENTRE RIBS THUS-NOTE CUT TAPERS

WING RIBS x12

