

FRONT & REAR COWL RINGS. MAKE FROM 1/16" SHEET. SPACERS ARE 1/8" X 1/16" STRIPS. COVER WITH CARD

USE 20 S.W.G. PROP. HOOK

THESE FORMERS CUT FROM 1/32" Balsa

CANE AERIAL MAST

NOTE = COVER FUSELAGE FROM BULKHEAD NO.1 TO BULKHEAD NO.3 WITH 1/32" Balsa

BUILD COWL AS SHOWN IN SIDE VIEW. USE 1/8" SHT Balsa

WING, TAILPLANE AND RUDDER OUTLINES (SHOWN SHADED) ARE CUT FROM 1/16" SHEET Balsa

CONTROL OUTLINE ON VARIOUS SURFACES ARE SHOWN THUS

NOTE: BULKHEAD 3 & 4 ARE NOTCHED TO RECEIVE BOTTOM STRINGERS WHEN THESE ARE FITTED

1/8" X 1/16" HARD Balsa GLUED ONTO BULKHEADS 3 & 4 AS SHOWN

NOTE: ALL BULKHEADS ARE 1/16" SHEET Balsa

GUN TURRET RING CUT FROM 1/16" Balsa

GUN TURRET FORMER CUT 5 FROM 1/32" Balsa

1/16" X 1/16" KEEL

1 SPINNER, CRANKCASE EXHAUST PIPE AND MAKE FROM 3/16" SHEET

BOTTOM KEEL

MAKE COCKPIT COVER AND COVER FROM BULKHEAD 3A TO BULKHEAD 4A FROM CARD. COVER WITH CELLULOID

SEE DETAIL FOR METHOD OF CONSTRUCTING GUN TURRET

COVER GUN TURRET WITH CELLOPHANE USING STRIPS BETWEEN EACH FORMER

BOTTOM KEEL IS CUT FROM 1/16" SHEET Balsa

MAKE ONE PIECE FROM 1/16" Balsa

LINE OF WING FILLET FORMED WHEN TISSUE COVERING IS APPLIED. SEE DETAIL

3/16" X 1/16" Balsa TO FORM WING FILLET. SEE DETAIL

RUBBER ANCHORAGE CUT FROM 1/16" Balsa. INSERT CANE TO HOLD RUBBER

THIS RIB IS GLUED FLUSH WITH FUSELAGE WHEN STRINGERS HAVE BEEN FITTED

GLUE PIECE OF 1/8" Balsa BETWEEN CENTRE-SECTION RIBS TO FORM BASE FOR UNDERCARRIAGE. USE 20 SWG WIRE FOR UNDERCART LEGS

1" DIAM. WHEELS (UNDERCART)
1/2" DIAM. WHEEL (TAIL WHEEL)

GUN TURRET BASE USE 1/16" Balsa

1/8" Balsa GLUED TO WIRE UNDERCARRIAGE LEG. FAIRING 1/16" SHEET

TRAILING EDGE OF TAIL PLANE 3/16" X 1/16"

TAIL PLANE SPAR 1/16" X 1/16"

1/16" X 1/16"

3/16" X 1/16" LEADING EDGE

LEADING EDGE 1/8" X 1/8"

WING SPARS 1/16" X 1/16"

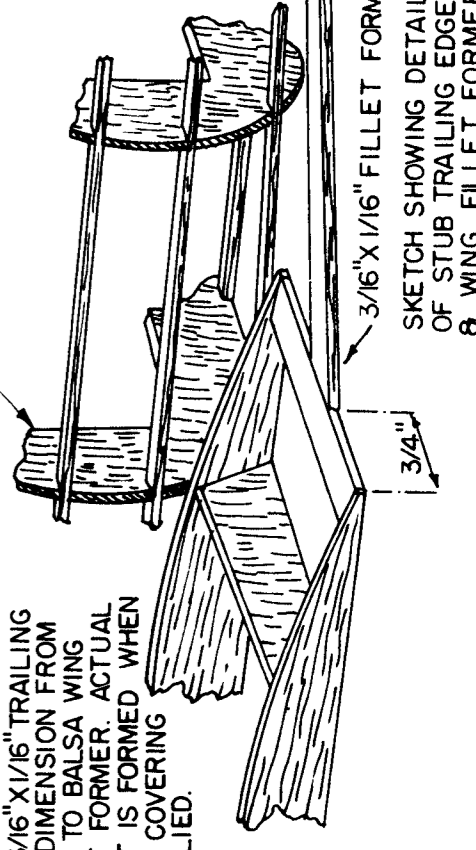
TRAILING EDGE 3/16" X 1/16"

1/8" X 1/16" Balsa

ALL WING RIBS ARE 1/16" SHEET

SKETCH OF PARTLY COMPLETED GUN TURRET. USE ONE COMPLETE FORMER AND GLUE REMAINING FORMERS ONTO SAME, AFTER CUTTING AT CENTRE LINE. GLUE STRIP AT CENTRE LINE. GLUE STRIP ONTO BASE AS SHOWN

FORMER NO 4



NOTE 3/16" X 1/16" TRAILING EDGE. DIMENSION FROM RIB "B" TO Balsa WING FILLET FORMER. ACTUAL FILLET IS FORMED WHEN TISSUE COVERING IS APPLIED.

SKETCH SHOWING DETAIL OF STUB TRAILING EDGE & WING FILLET FORMER