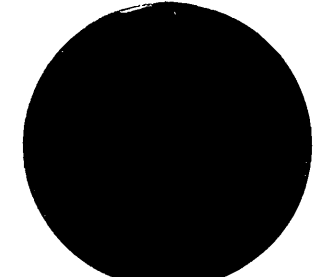


B.A. SWALLOW.



DESIGNED BY
J. W. COASBY.

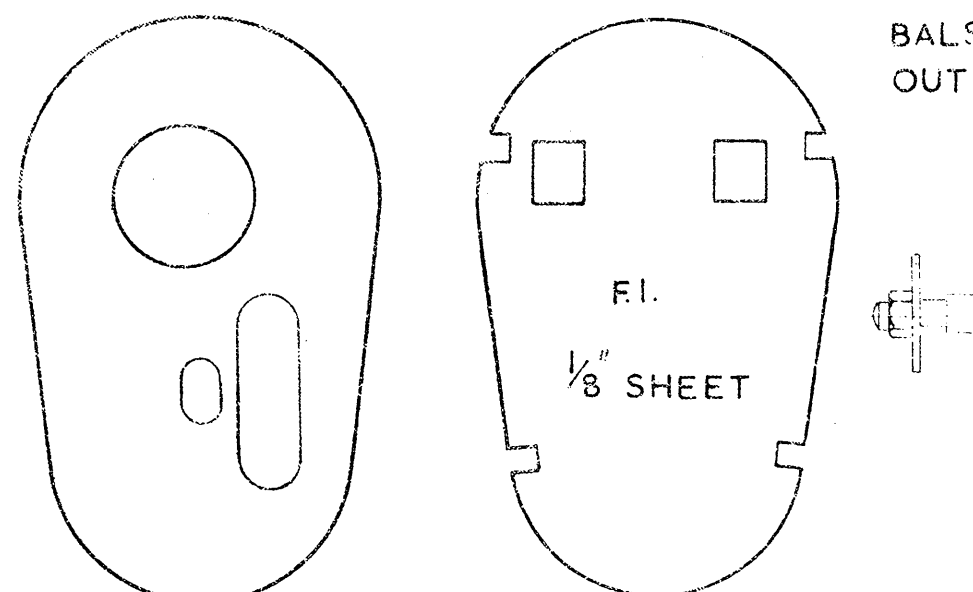


COPYRIGHT OF
THE AEROMODELLER PLANS SERVICE.
T 38, CLARENDON RD. WATFORD. HERTS.

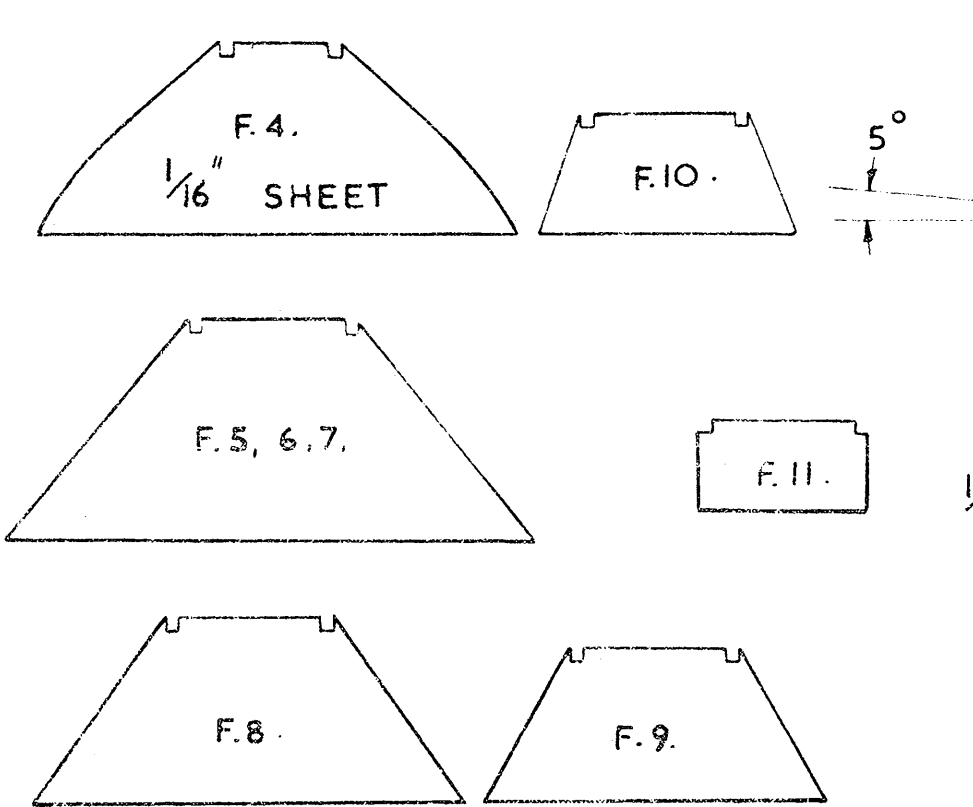
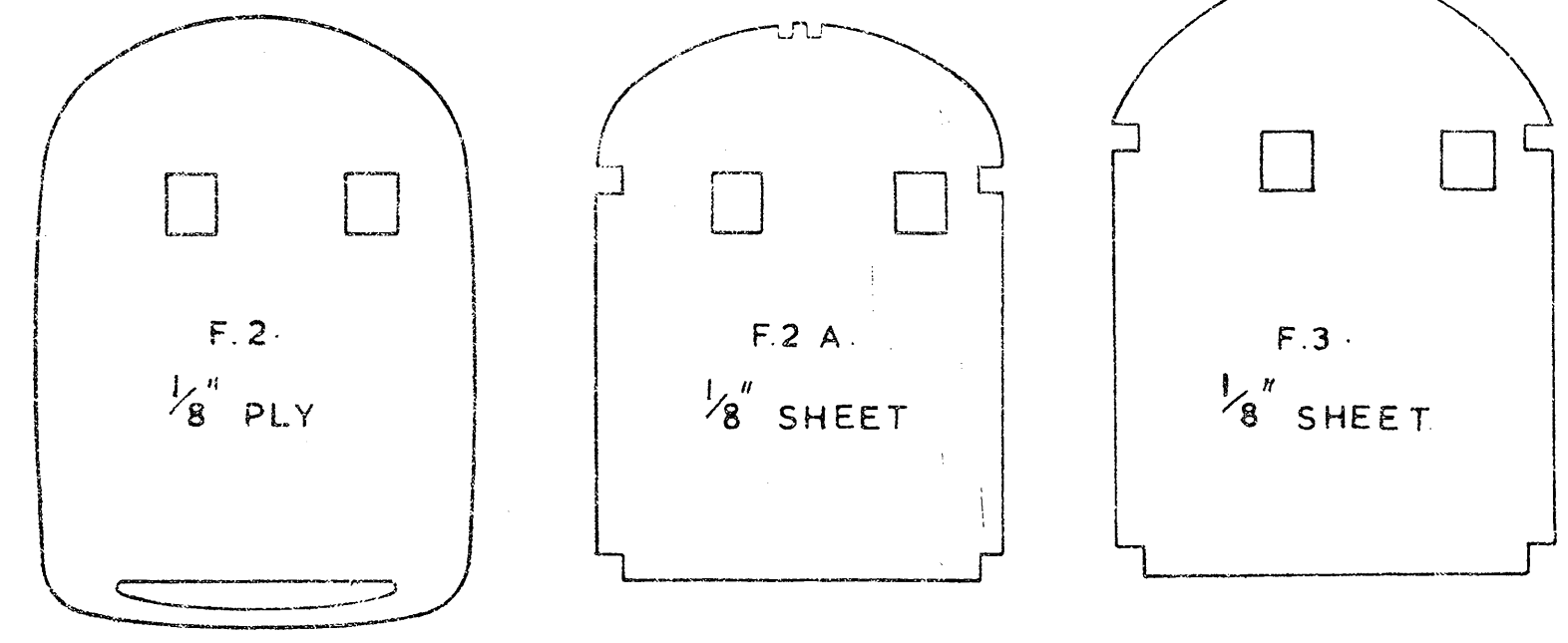
COLOUR SCHEME
FUSELAGE TOP 'DECKING' &
COWLING TOP, ROYAL BLUE.
ALL LETTERING, RED.
REST OF FUSELAGE, WINGS,
FIN & TAILPLANE, SILVER.

POWER.
ANY .46 - .87 CC
ENGINE.

MATERIALS REQUIRED.		
STRIP 3 FT LONG	SHEET 3" WIDE	1 PIECE OF 1/8" PLY 3 1/4" X 2 7/8"
1 OFF 1/16" SQ	6 OFF 1/32"	1 " 1/32" 7 1/4" X 2"
4 " 3/32"	3 " 1/16"	1 LENGTH OF 16 S.W.G. WIRE.
11 " 1/8"	1 " 3/32"	1 " 1/8" 18"
2 " 3/8"	1 " 1/8"	3 3/8" 1/8" DIA DOWEL.
1 " 1/8 X 1/4"	MISCELLANEOUS	SMALL SHEET OF CELLULOID
1 " 1/8 X 3/8"	1 Balsa block 3 X 2" X 5/8"	2 WHEELS 1 3/4" DIA



CUT AWAY CENTRE OF F1, TO SUIT ENGINE AFTER NOSEBLOCK HAS BEEN HOLLOWED OUT & F1 HAS BEEN GLUED TO BACK OF NOSEBLOCK.



FORMERS F4 - F7 FROM 1/16" SHEET.

