

Aml

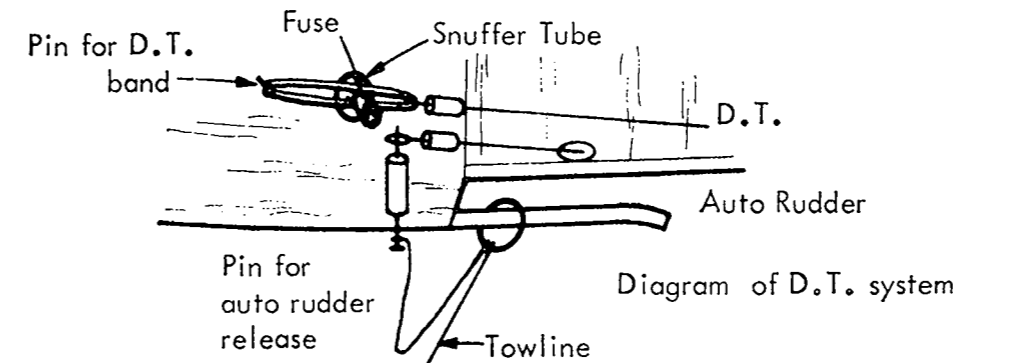
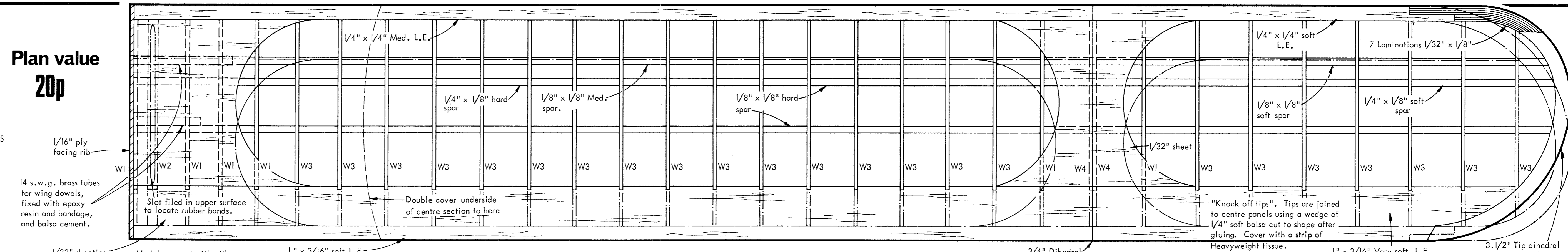
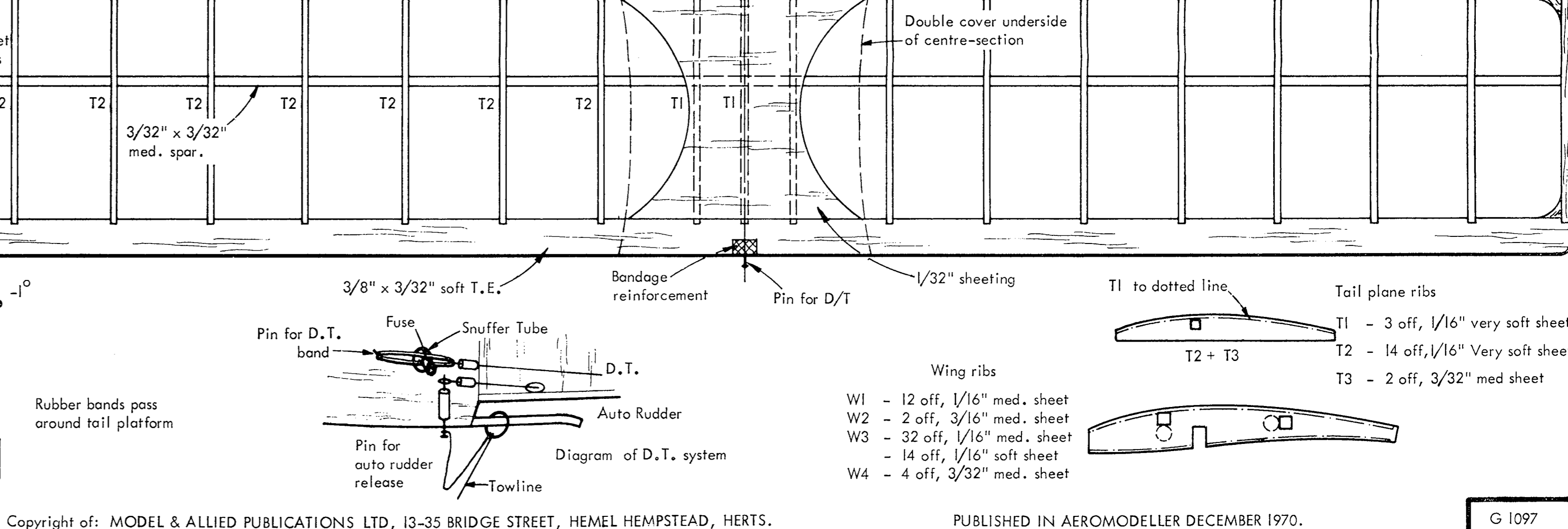
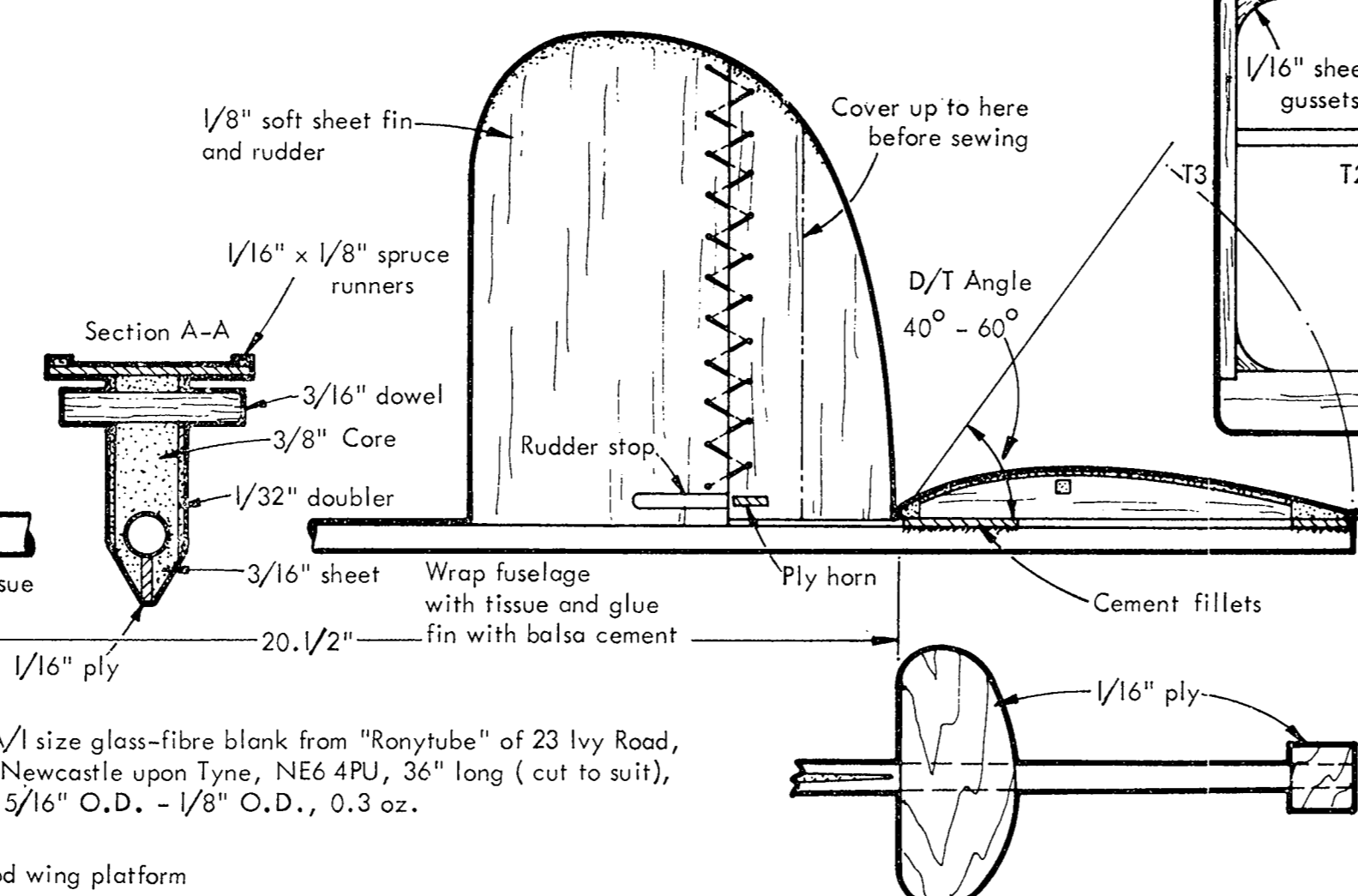
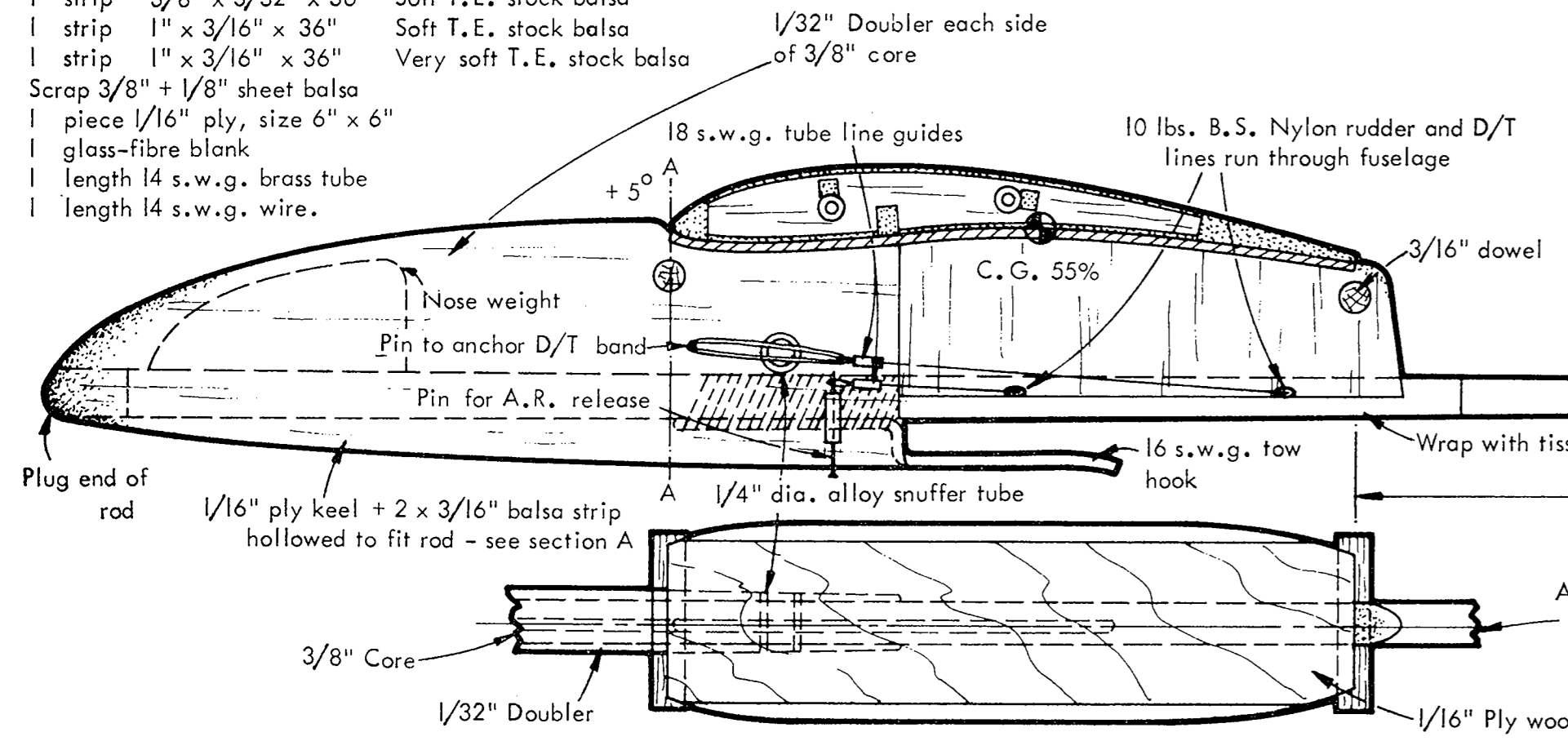
designed by
A. BROCKLEHURST.

Plan value
20p

A 54" SPAN GLIDER TO INTERNATIONAL A.I. SPECIFICATIONS

MATERIALS LIST

- 1 sheet 1/32" x 3" x 36" Medium balsa
- 1 sheet 1/16" x 3" x 36" Medium balsa
- 1 sheet 1/16" x 3" x 36" Medium balsa
- 4 strips 1/32" x 1/8" x 36" Soft balsa
- 1 strip 3/32" x 3/32" x 36" Medium balsa
- 2 strips 1/8" x 1/8" x 36" Medium balsa
- 1 strip 1/8" x 1/8" x 36" Soft balsa
- 1 strip 1/8" x 1/4" x 36" Medium balsa
- 1 strip 1/8" x 1/4" x 36" Soft balsa
- 1 strip 1/4" x 1/4" x 36" Medium balsa
- 1 strip 1/4" x 1/4" x 36" Soft balsa
- 1 strip 3/8" x 3/32" x 36" Soft T.E. stock balsa
- 1 strip 1" x 3/16" x 36" Soft T.E. stock balsa
- 1 strip 1" x 3/16" x 36" Very soft T.E. stock balsa
- Scrap 3/8" x 1/8" sheet balsa
- 1 piece 1/16" ply, size 6" x 6"
- 1 glass-fibre blank
- 1 length 14 s.w.g. brass tube
- 1 length 14 s.w.g. wire.



- Tail plane ribs
- T1 - 3 off, 1/16" very soft sheet
 - T2 - 14 off, 1/16" Very soft sheet
 - T3 - 2 off, 3/32" med sheet
- Wing ribs
- W1 - 12 off, 1/16" med. sheet
 - W2 - 2 off, 3/16" med. sheet
 - W3 - 32 off, 1/16" med. sheet
 - W4 - 4 off, 3/32" med. sheet