

# VERON

AMERICAN GRUMMAN .

# Wildcat

FIGHTER 1941/44 .

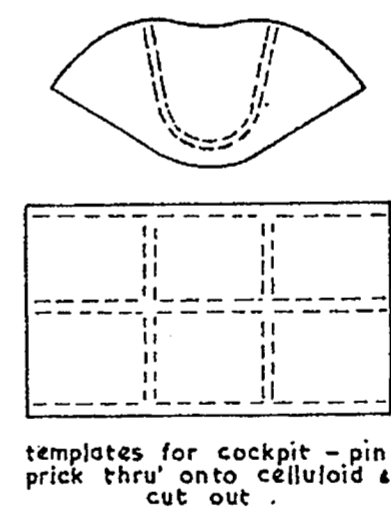
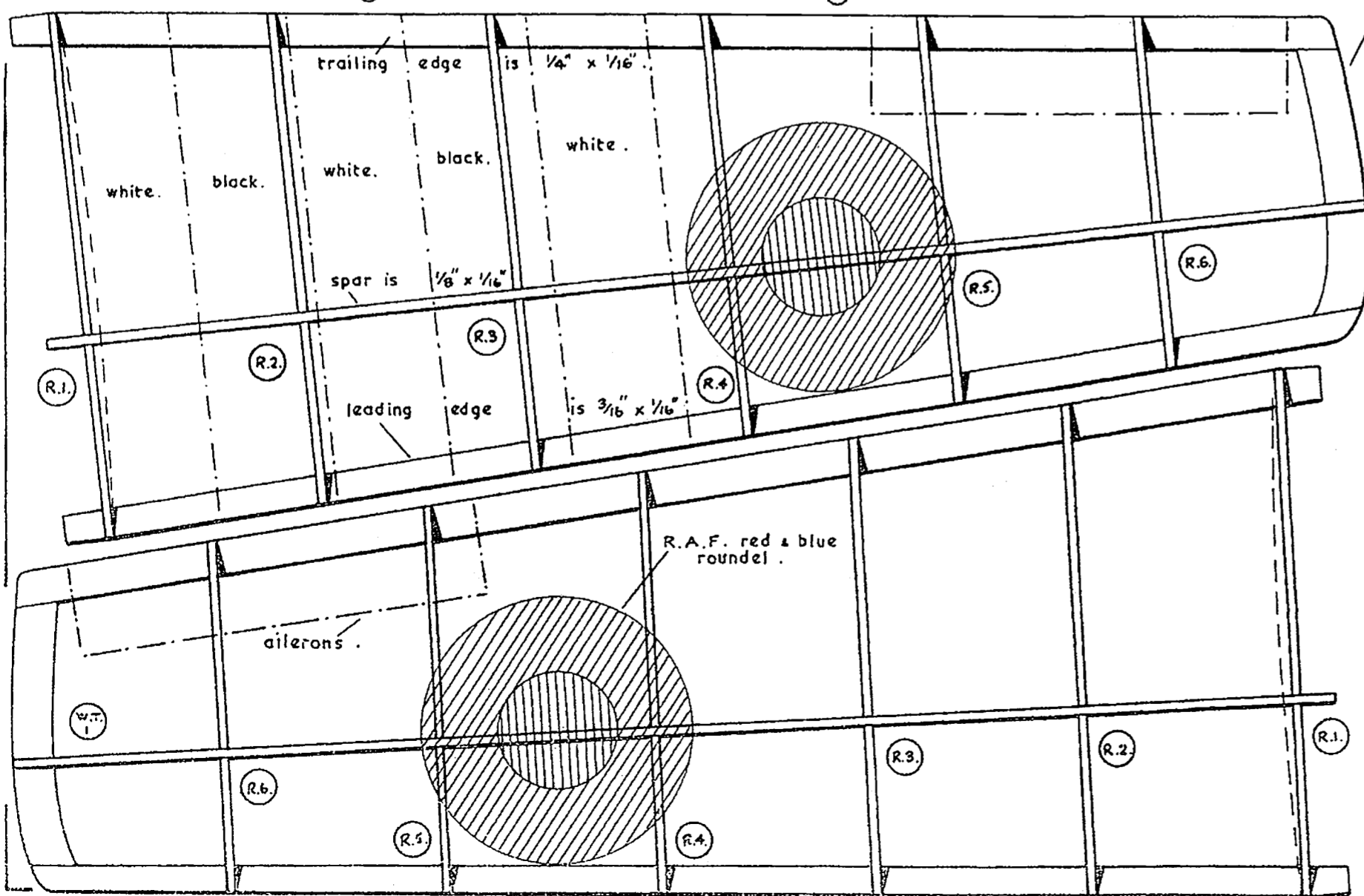
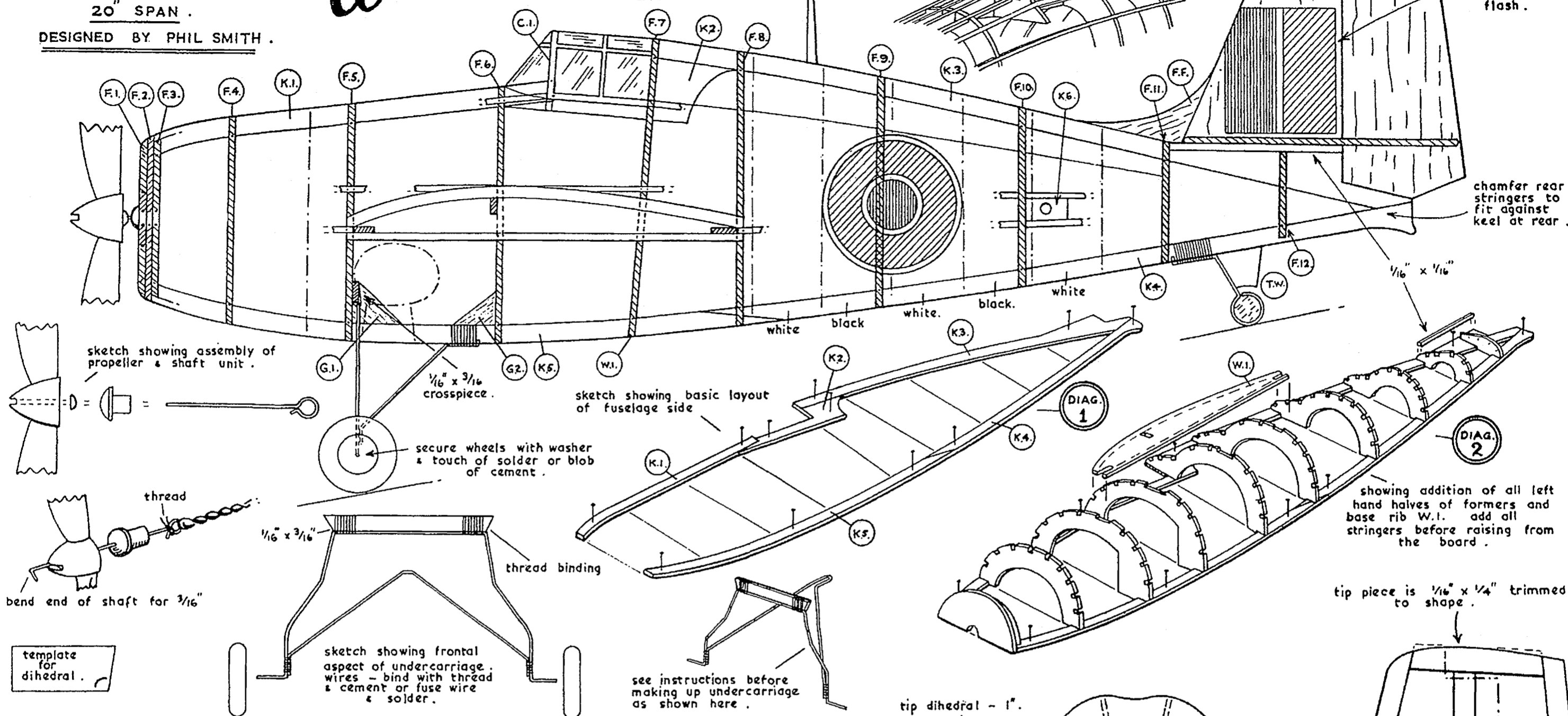
20" SPAN .

DESIGNED BY PHIL SMITH .

sketch showing aspect of cockpit structure before application of celluloid .

red (leading) narrow white & blue fin flash .

chamfer rear stringers to fit against keel at rear .



### Colour Schemes (1944) .

#### British .

grey - green & dark sea grey upper surfaces with light sea - grey or sky blue (duck egg) on lower surfaces . blue & red roundels on top of wings . thin yellow red . thin white & blue roundels on fuselage sides & wing undersides . red . thin white & blue fin flash . black & white invasion markings .

#### American

dark olive drab or "night" blue on the top surfaces - neutral grey on undersides . blue and white star and bar insignia on fuselage sides , top of port wing , underside of starboard wing only .

WORLD COPYRIGHT RESERVED .  
produced by

MODEL AIRCRAFT (B' mouth) LTD., BOURNEMOUTH .

