

VERON

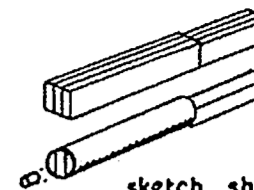
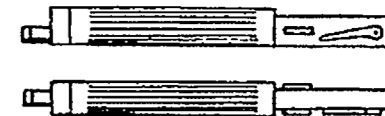
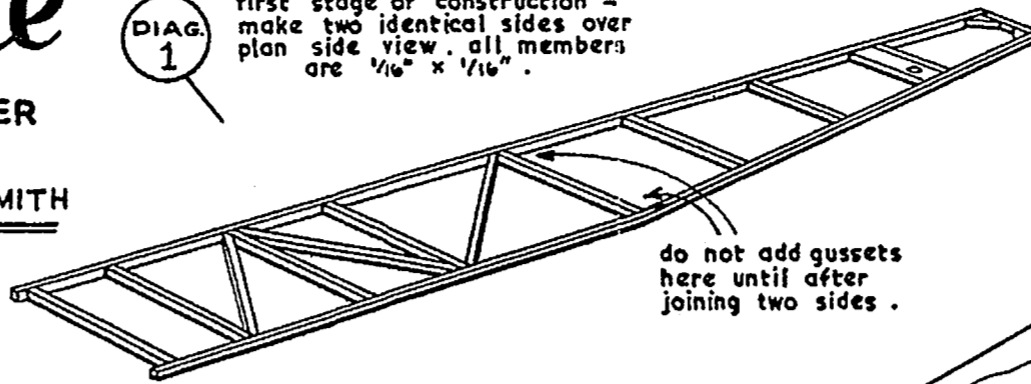
BRITISH 1916
SOPWITH

Triplane FIGHTER 17 3/4" SPAN

DESIGNED BY PHIL SMITH

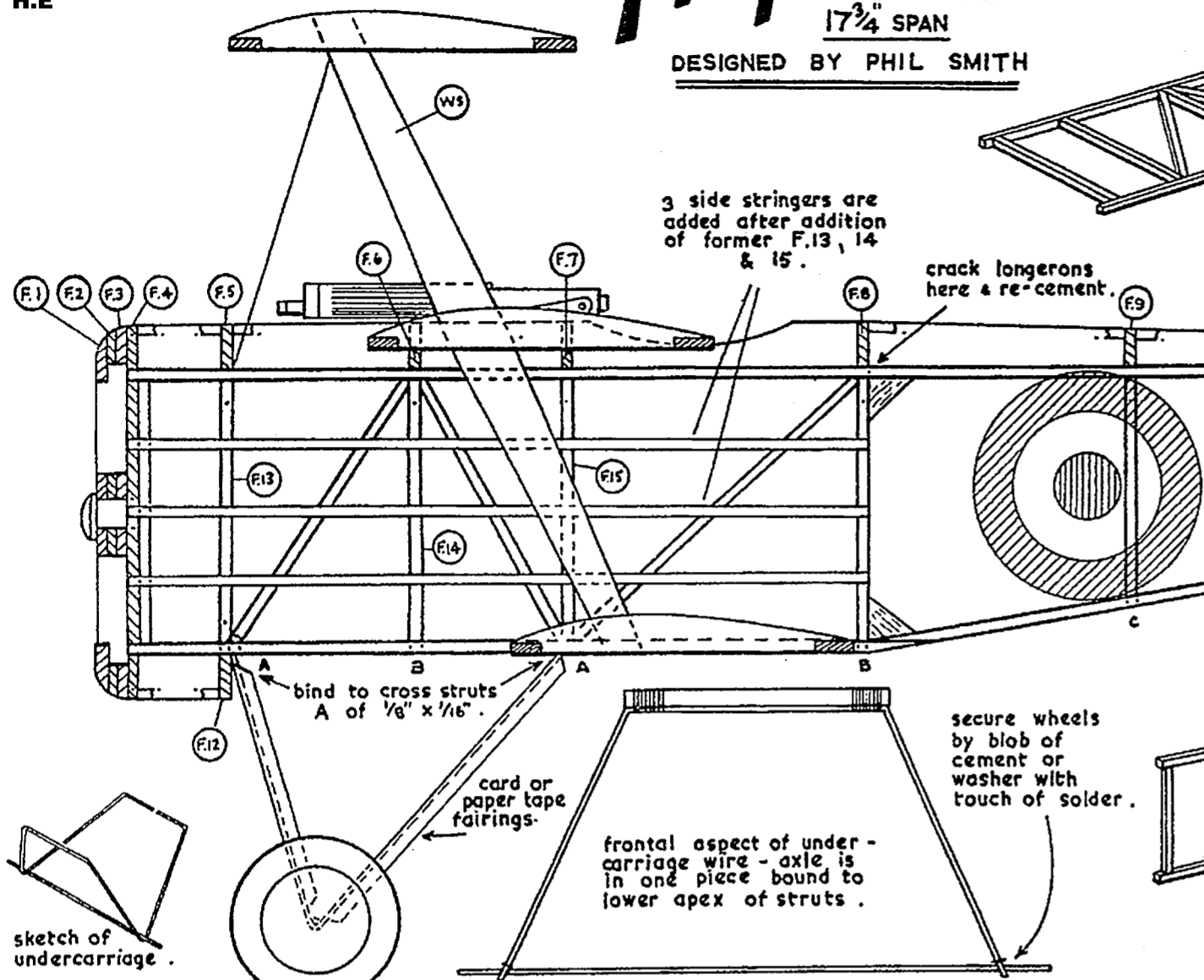
DIAG. 1

first stage of construction - make two identical sides over plan side view. all members are 1/16" x 1/16".



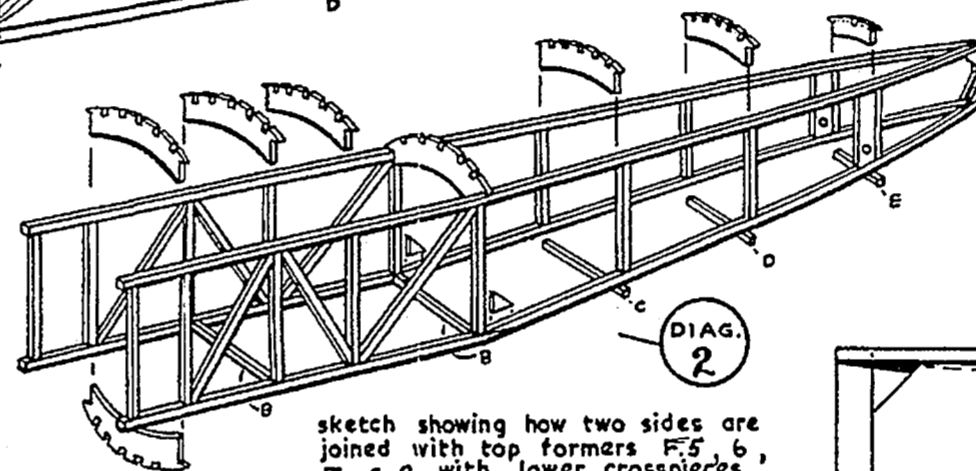
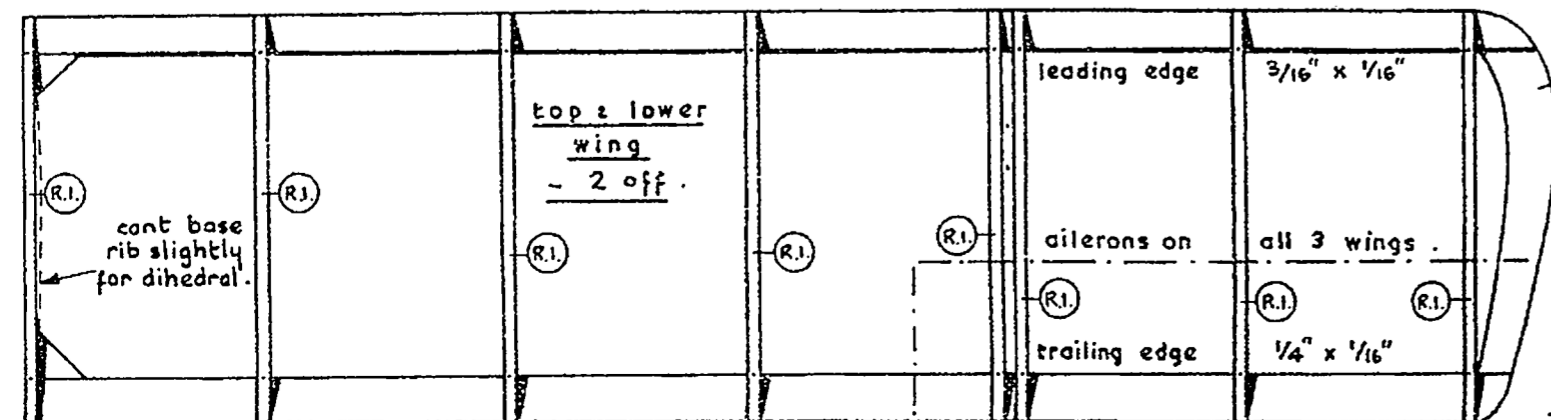
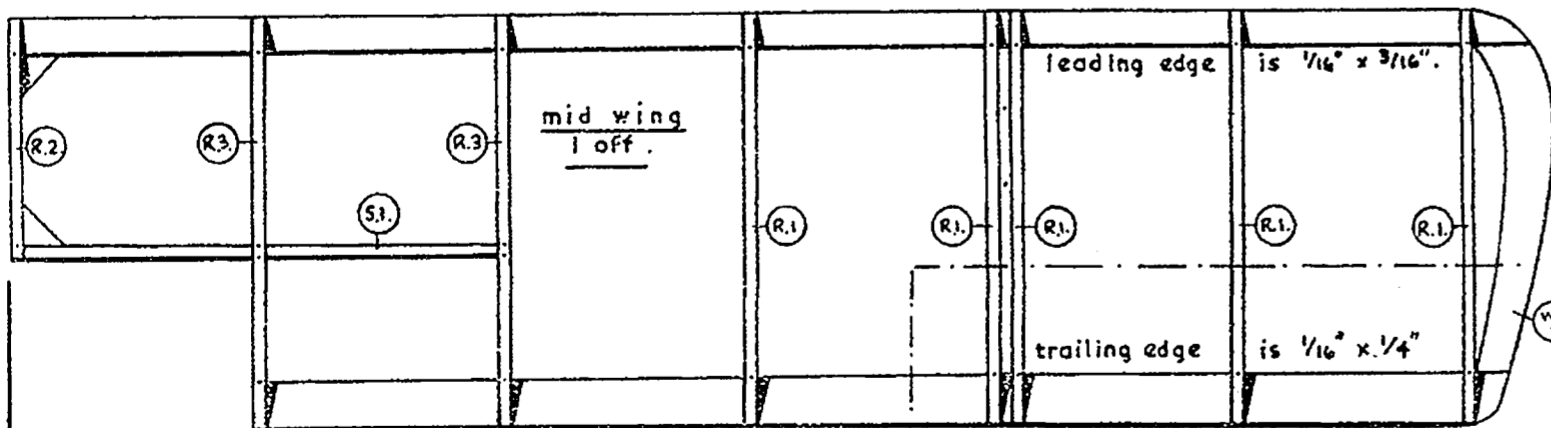
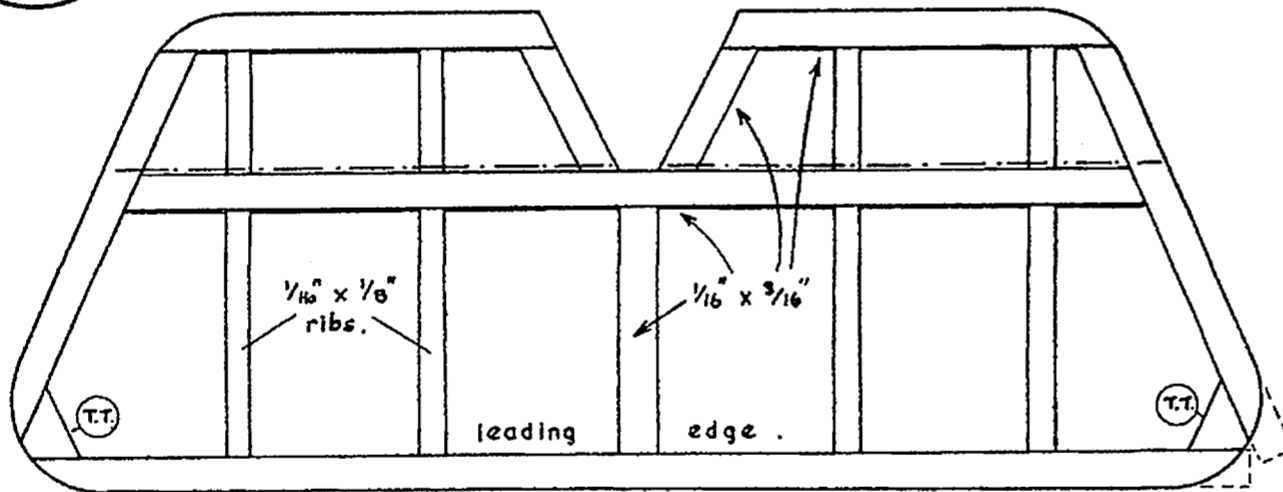
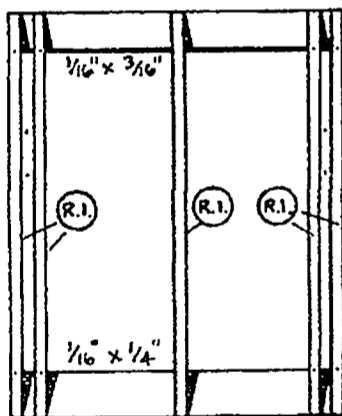
sketch showing make up of machine gun - carve from triple lamination.

H.E



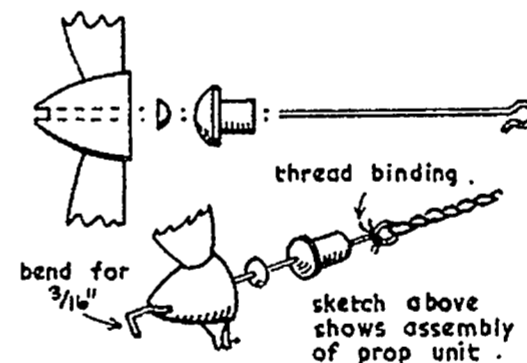
sketch of undercarriage.

centre-section of top wing.



DIAG. 2

sketch showing how two sides are joined with top formers F.5, 6, 7 & 8 with lower crosspieces of F.12 & two 1/16" x 1/16" parts "B".

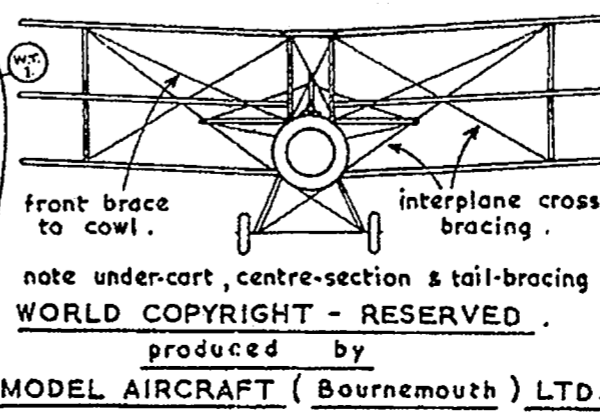


colour scheme

silver cowling.
khaki or olive green fuselage.
buff wings, fin, tail & wheels.
red white & blue roundels on top surface of upper wing & bottom surface of lower wings, fuselage sides, red, white & blue vertical bands on rudder.

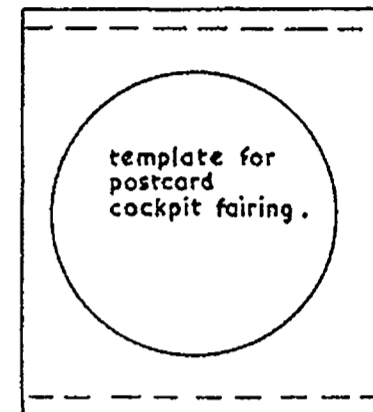
rigging diagram

best achieved by sewing with needle & thread knotting at joints & cementing.



WORLD COPYRIGHT - RESERVED.
produced by
MODEL AIRCRAFT (Bournemouth) LTD..

red (leading) white & blue fin stripes.



template for postcard cockpit fairing.

actual lengths of lower cross struts.

