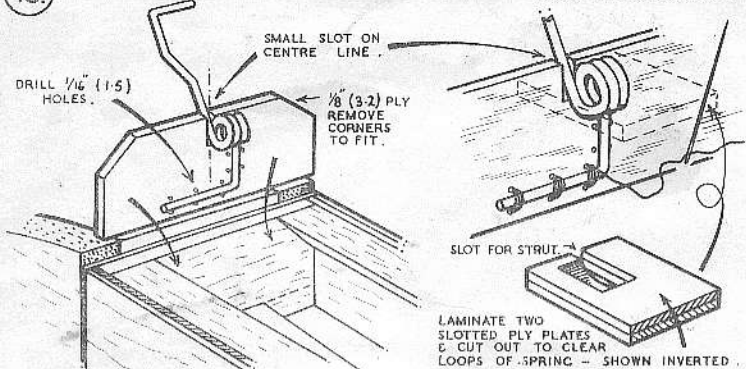
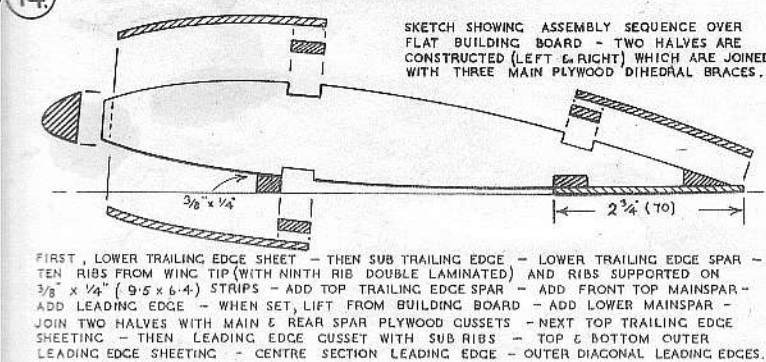


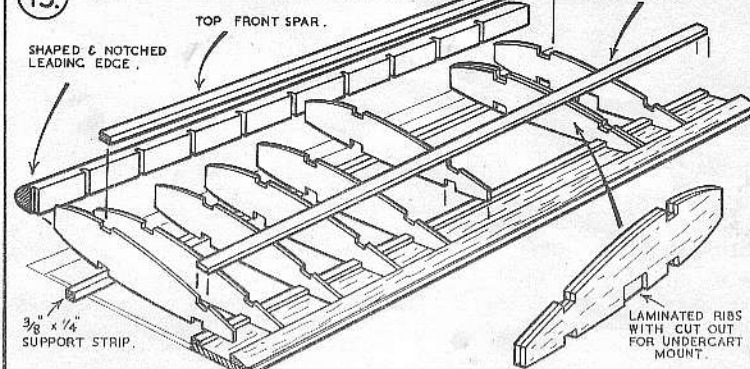
13. NOSE WHEEL STRUT ATTACHMENT



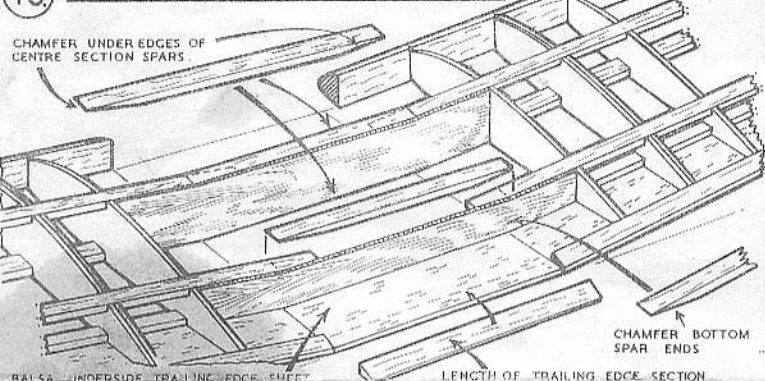
14. SEQUENCE OF WING ASSEMBLY



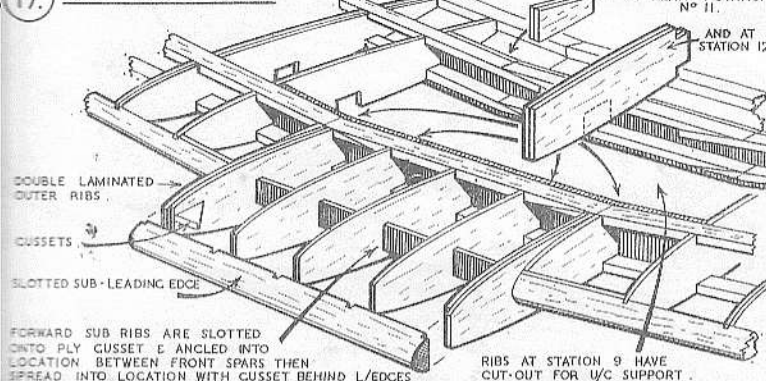
15. GENERAL WING PANEL ASSEMBLY



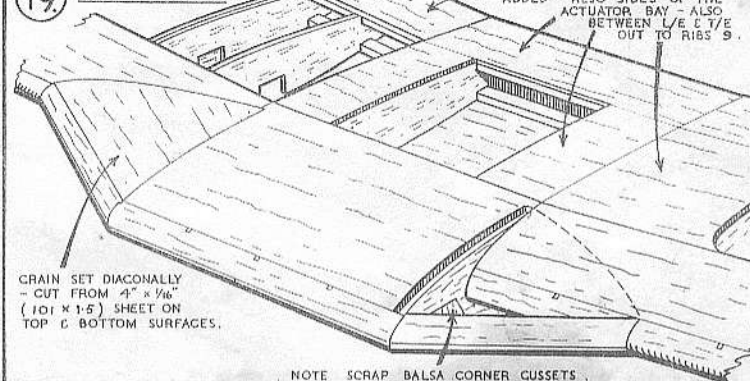
16. CENTRE SECTION GUSSETS AND ASSEMBLY



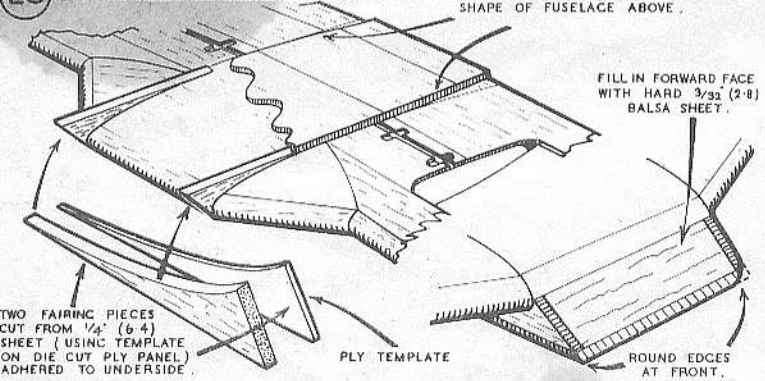
17. SUB-LEADING EDGE



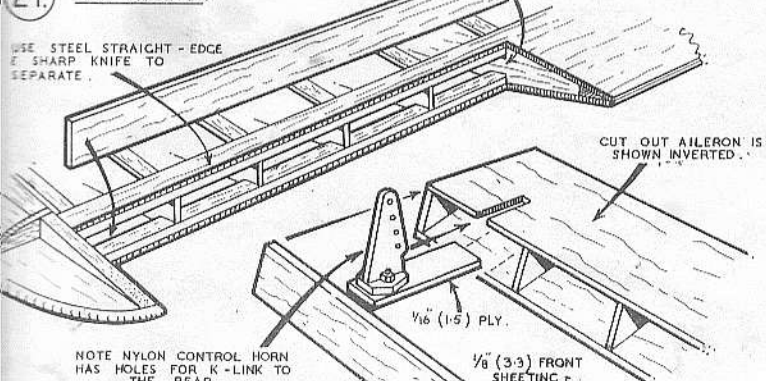
19. CENTRE SECTION



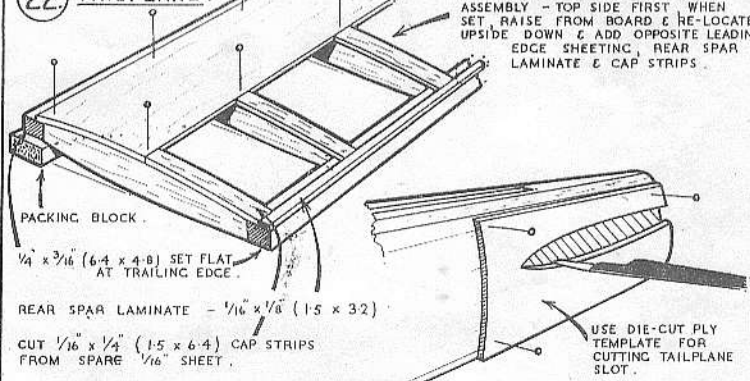
20. CENTRE SECTION UNDERSIDE



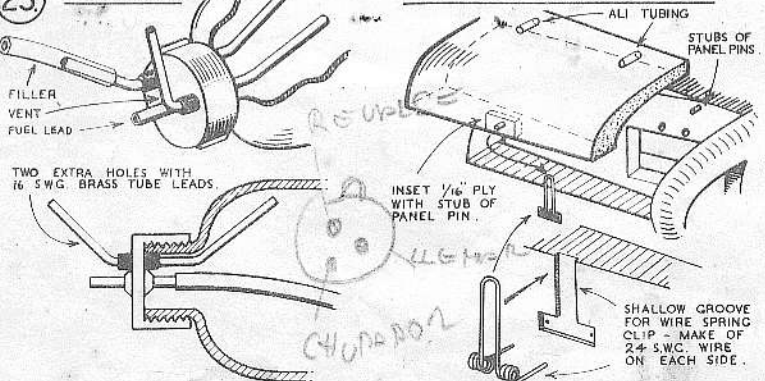
21. AILERONS



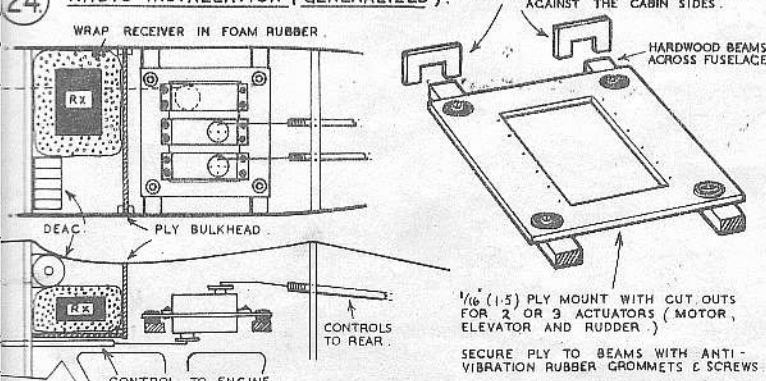
22. TAILPLANE



23. FUEL TANK



24. RADIO INSTALLATION (GENERALIZED)



25. MODEL DECOR

