

# VERON

AMERICAN 4-SEAT LIGHTPLANE.

# Luscombe Sedan

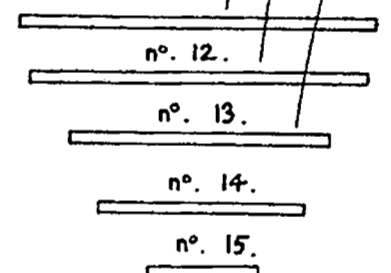
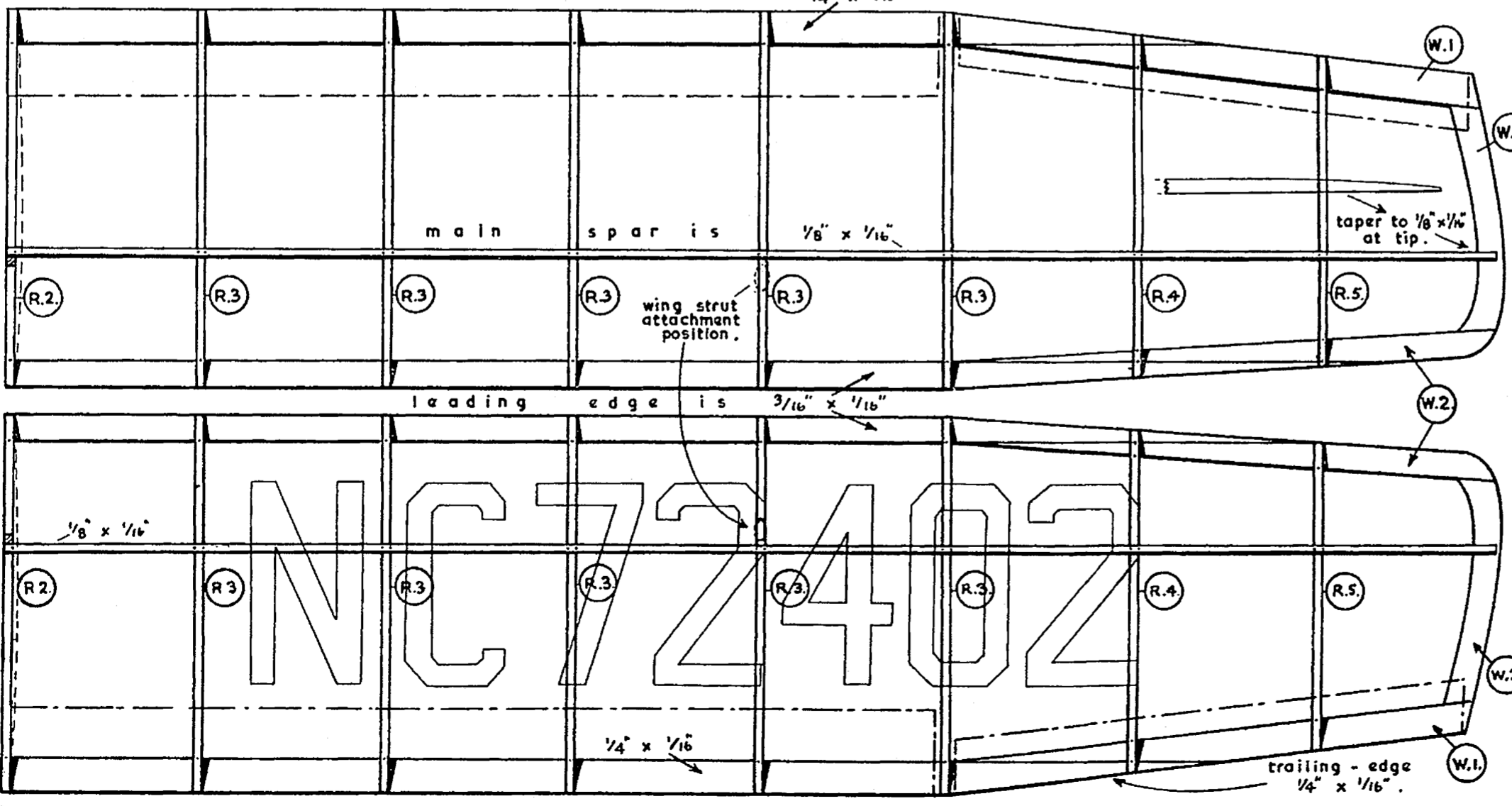
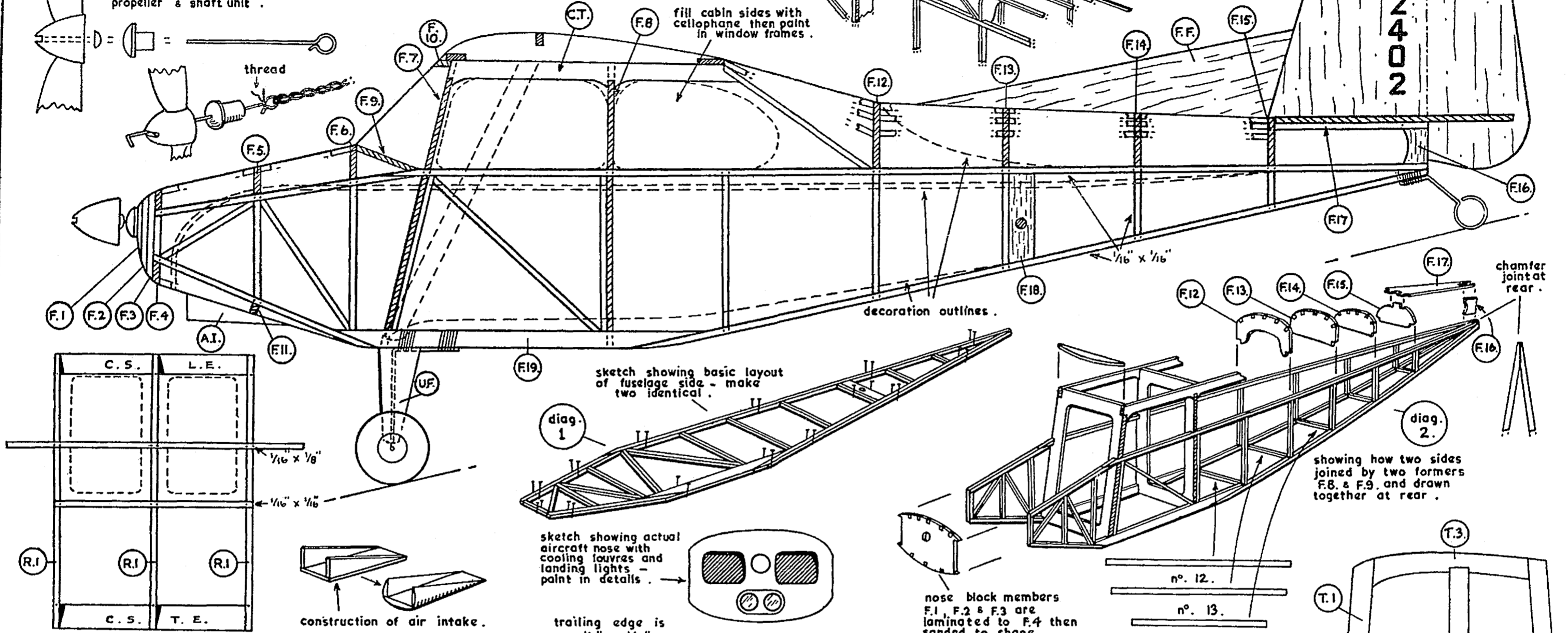
H.E. 24" SPAN.  
DESIGNED BY PHIL SMITH.

sketch showing assembly of propeller & shaft unit.

sketch showing cabin structure with wing centre section & addition of rear 1/16" x 1/16" stringers.

paint on numerals or use small transfers.

NC 72402



cut 1/16" x 1/16" strips to lengths above for lower cross struts below formers 12, 13, 14, 15 etc.

bend u/c wire to shape of these top & front views.

