

# VERON

GERMAN 1941/5 FIGHTER

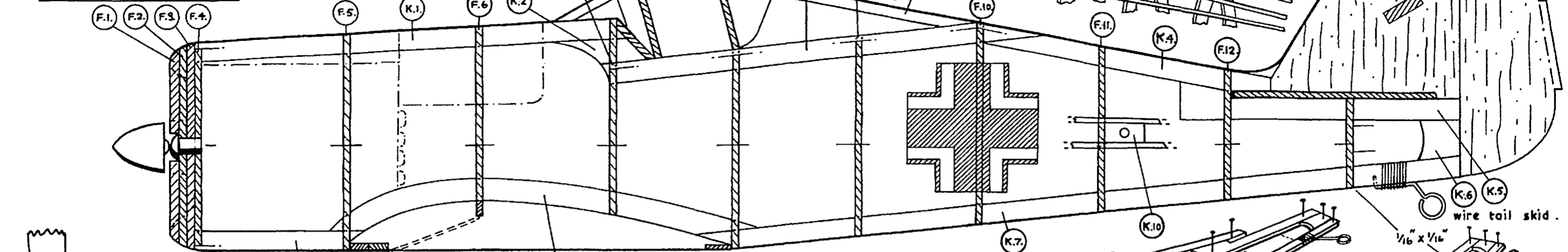
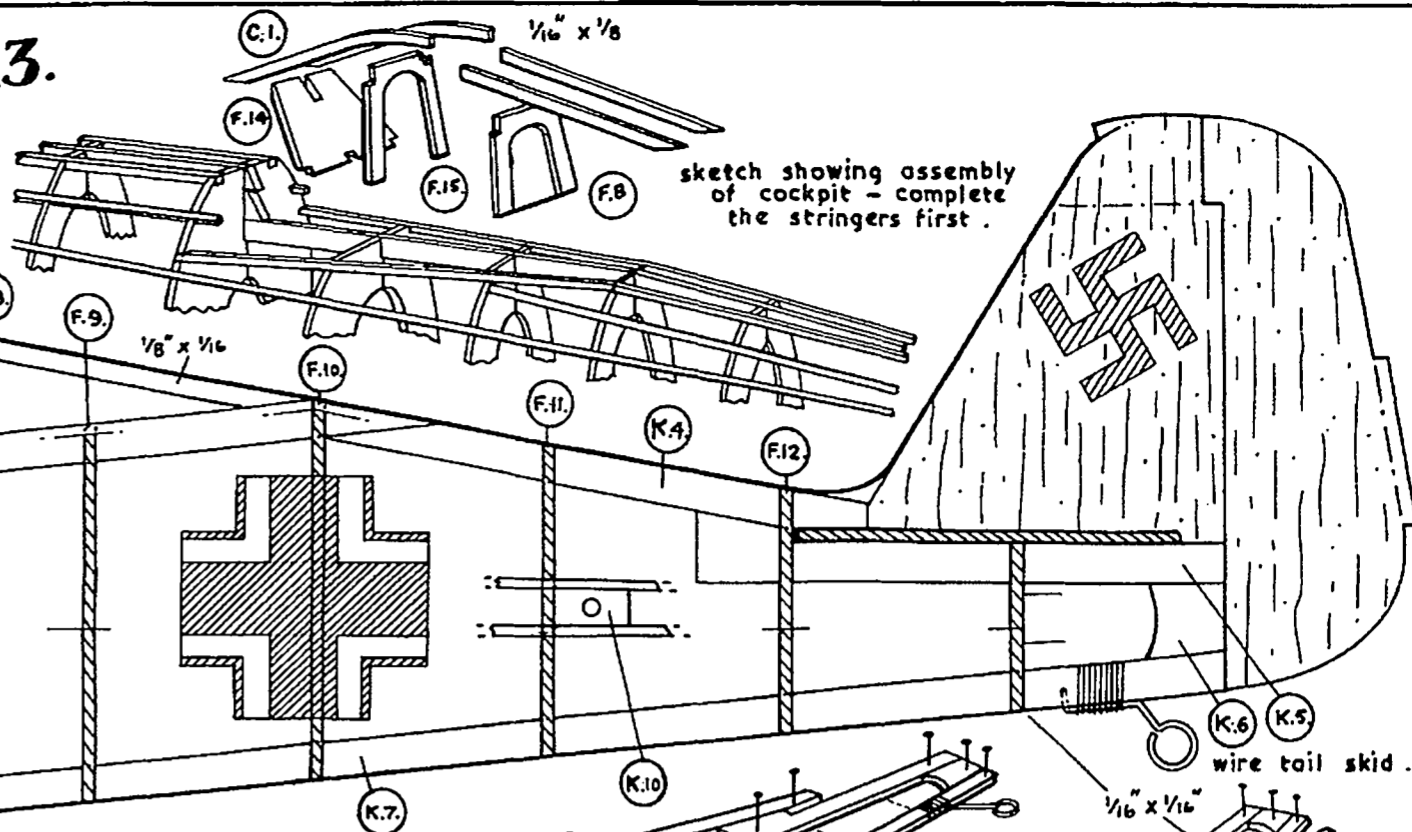
# Focke-Wulf 190 A.3.

H.E

18" SPAN.

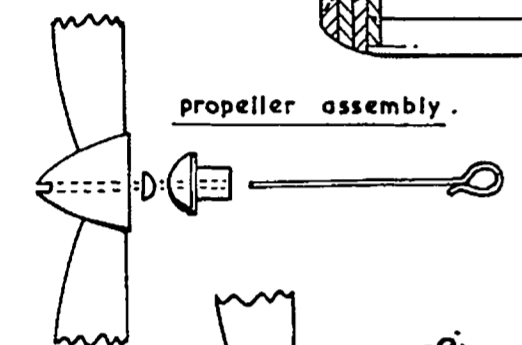
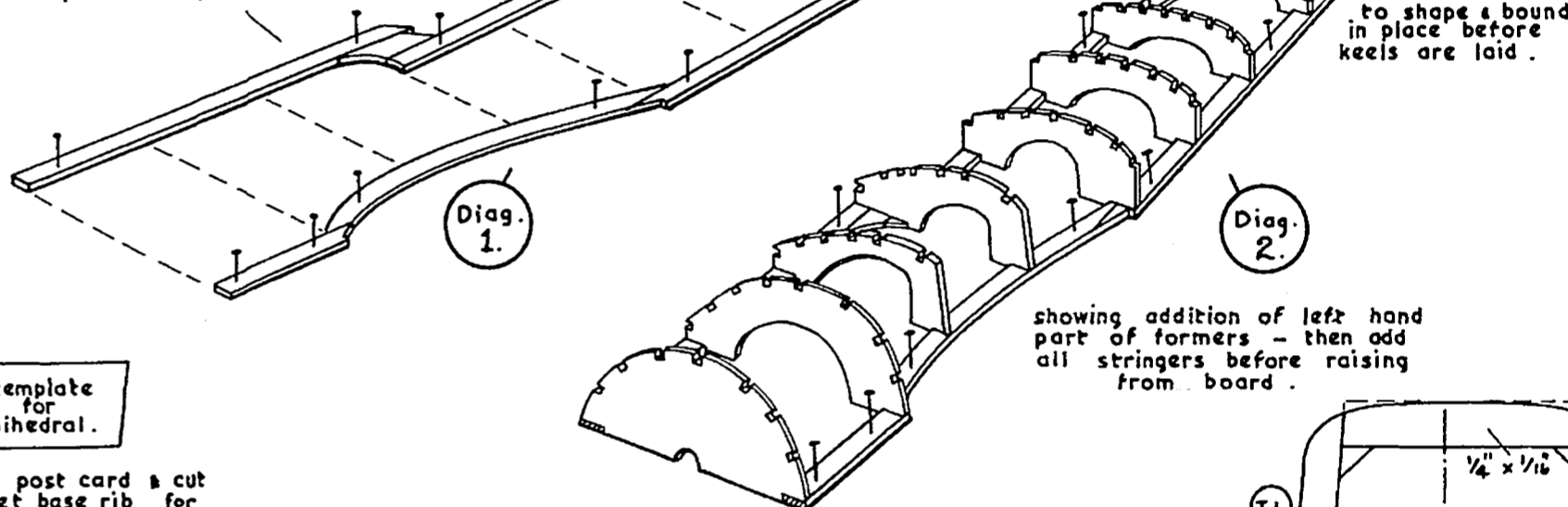
DESIGNED BY PHIL SMITH.

NOTE THAT KEEL MEMBERS K.1, K.3, K.4, K.7 ARE CUT FROM  $\frac{1}{16} \times \frac{3}{16}$  STRIP.



### 1<sup>ST</sup> stage of construction

basic keel members are pinned in place.



pin prick outline of fairing onto post card & cut out two - cement to wire strut & sew with two loops of cotton.

bend end of shaft for  $\frac{3}{16}$ "

thread binding

band wire to shape using top & side views for lengths. wheel is secured by blob of cement or soldered washer.

template for dihedral.

paste to post card & cut out to set base rib for dihedral of  $1\frac{1}{4}$ " at tip.

false leading edge of W.2 added to  $\frac{1}{16} \times \frac{1}{4}$ "

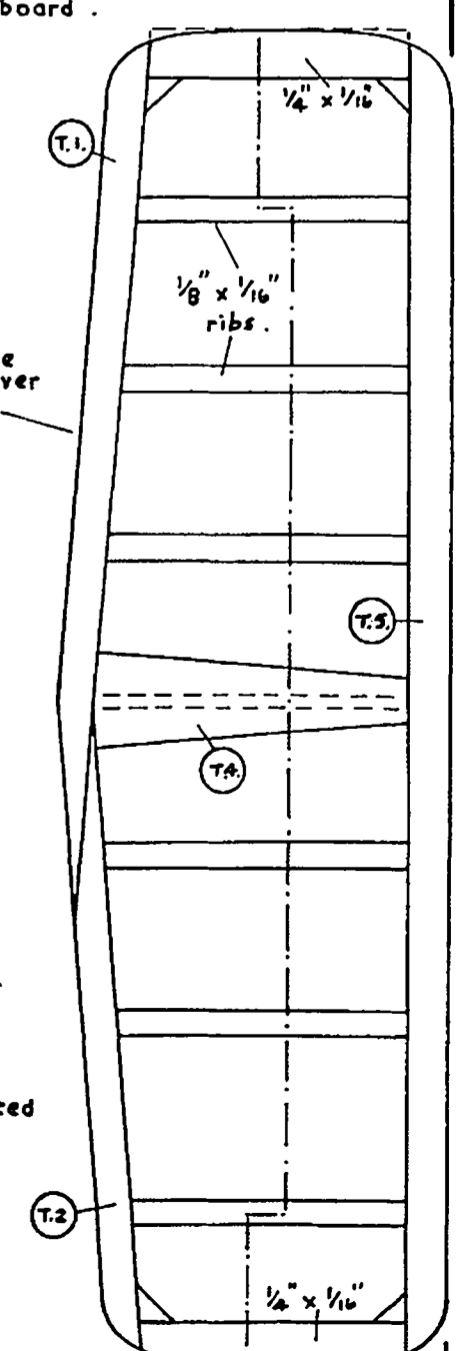
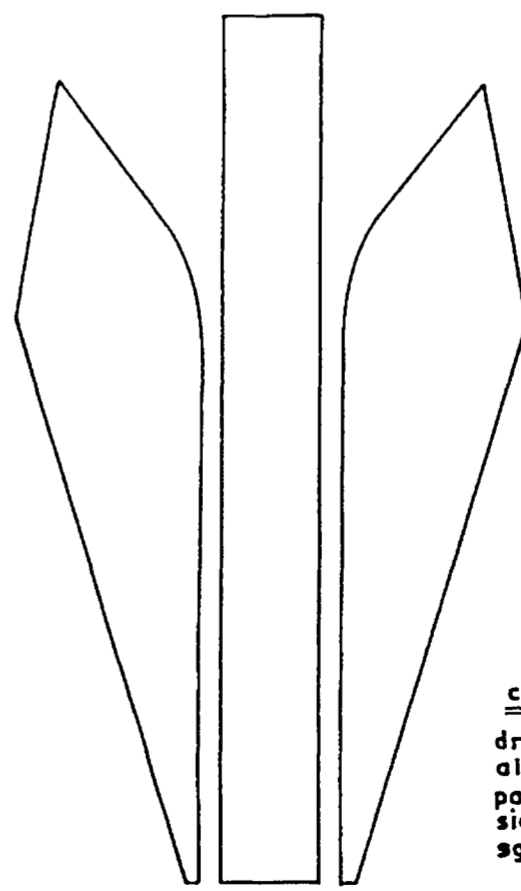
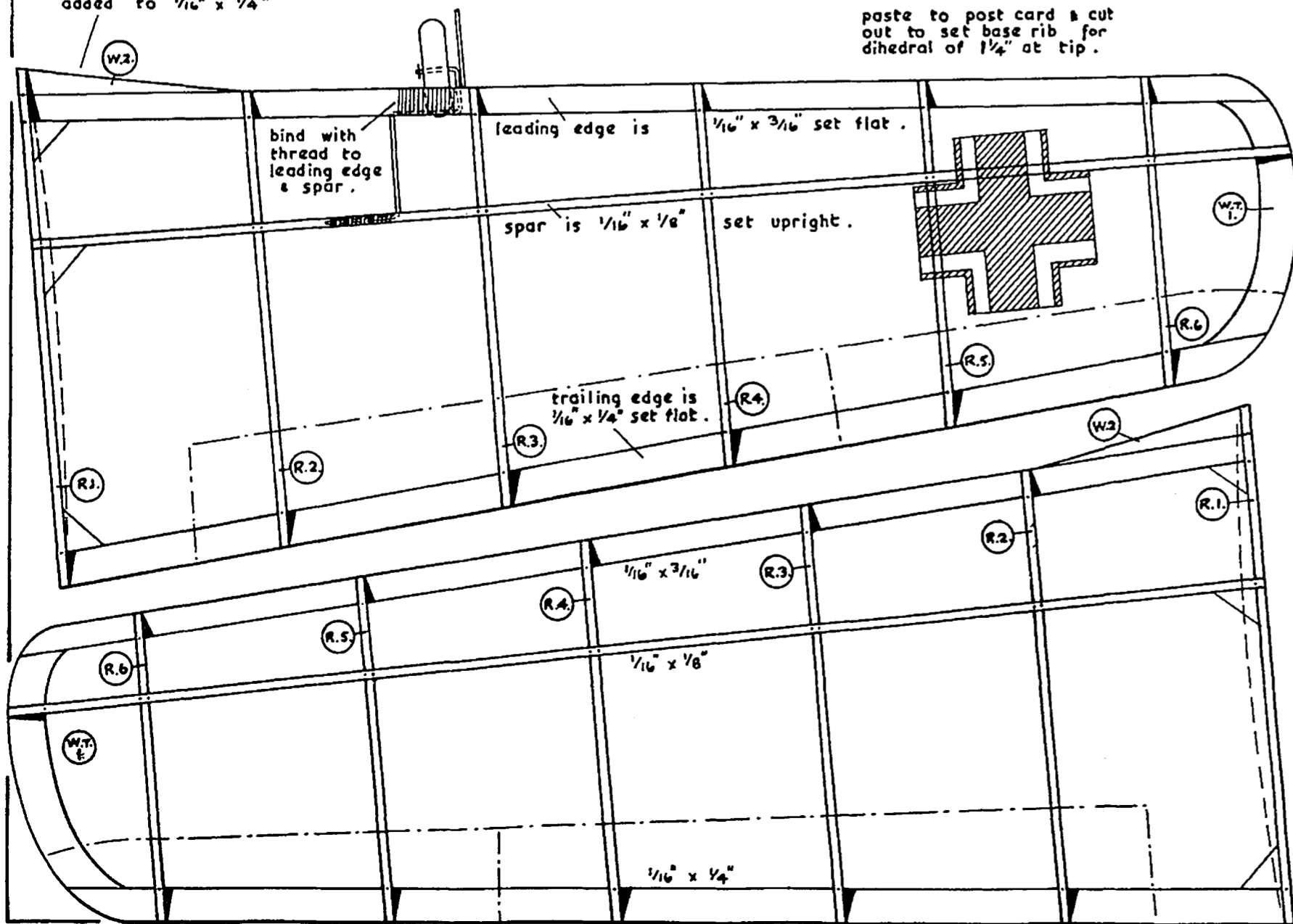
pattern below for celluloid windshield. pin prick outline thru' onto celluloid & cut out

build tailplane on the flat over the plan.

### colour scheme.

drab olive green on all top surfaces. pale blue on under sides. spinners painted squadron colours.

WORLD COPYRIGHT RESERVED



F.W. 190.  
1/16" x 3" x 12"  
No. 2.  
1 OFF.

