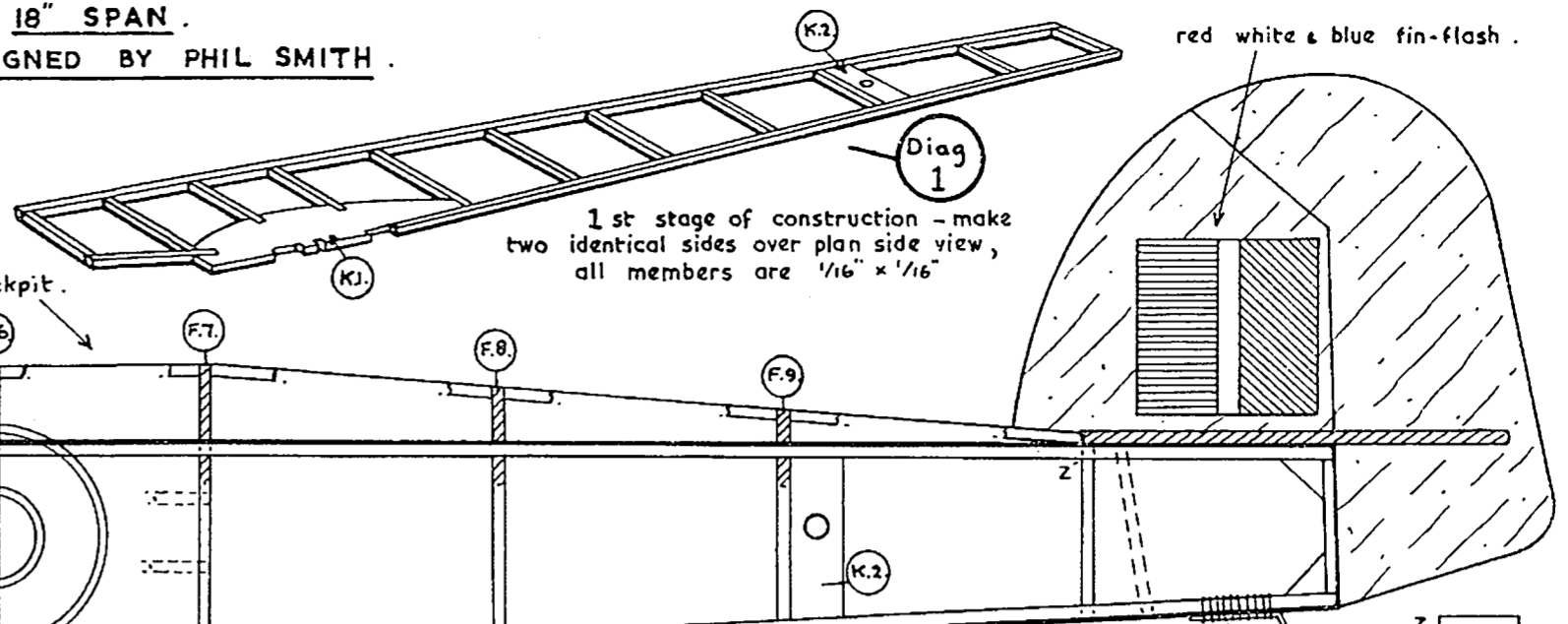
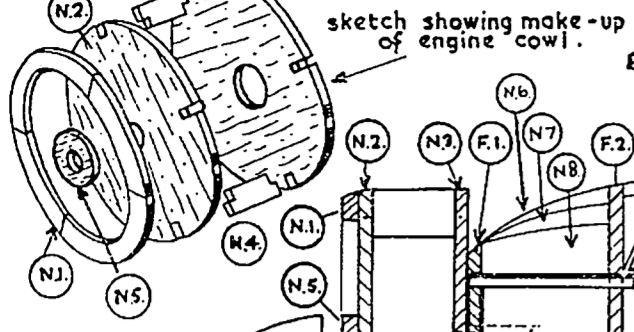
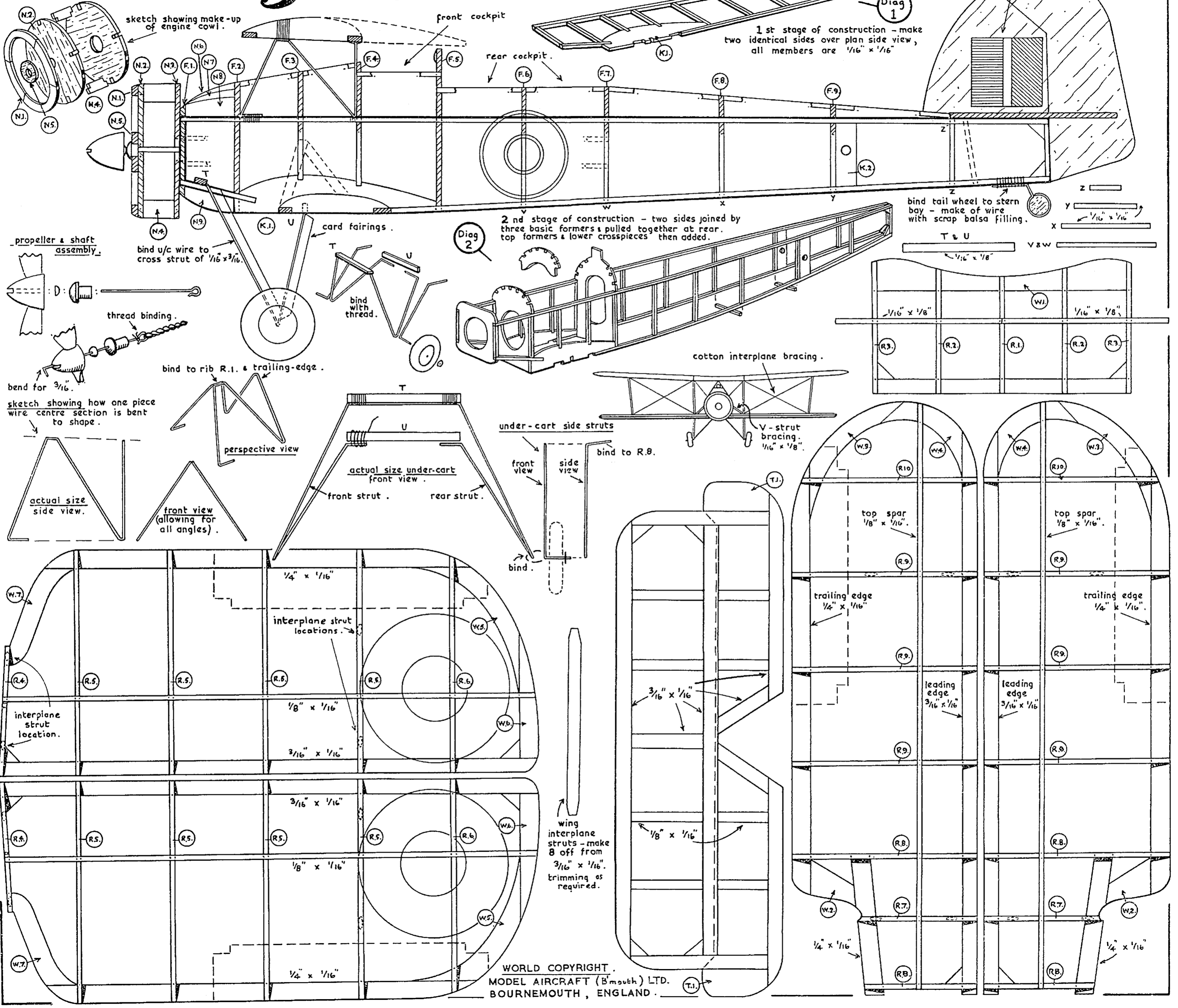


VERON

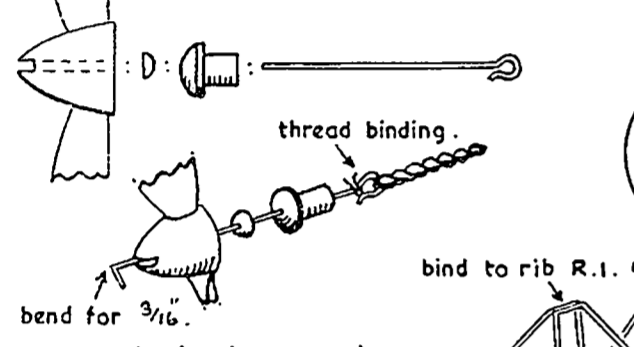
FAIREY *Swordfish*

18" SPAN.
DESIGNED BY PHIL SMITH.

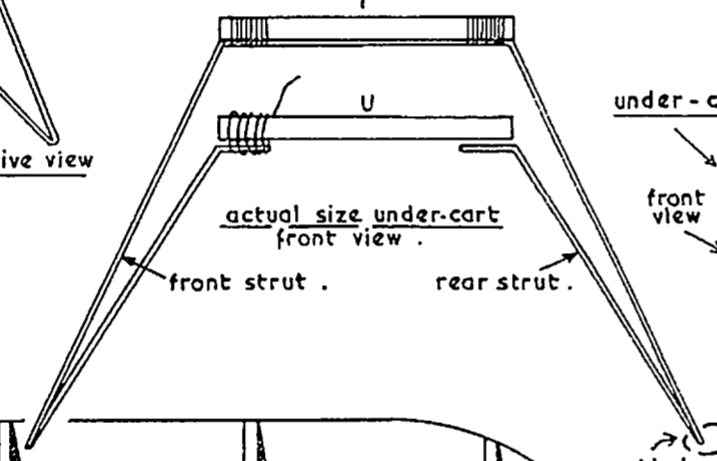
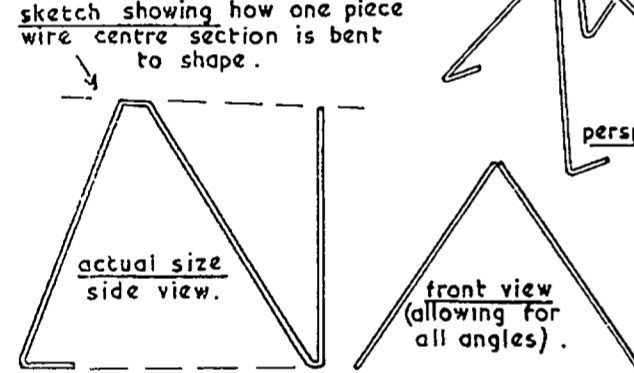
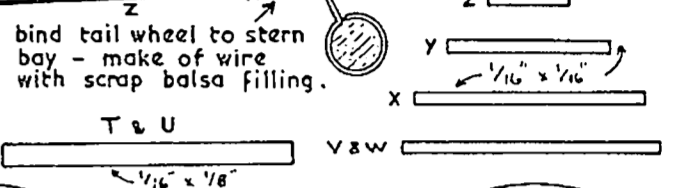
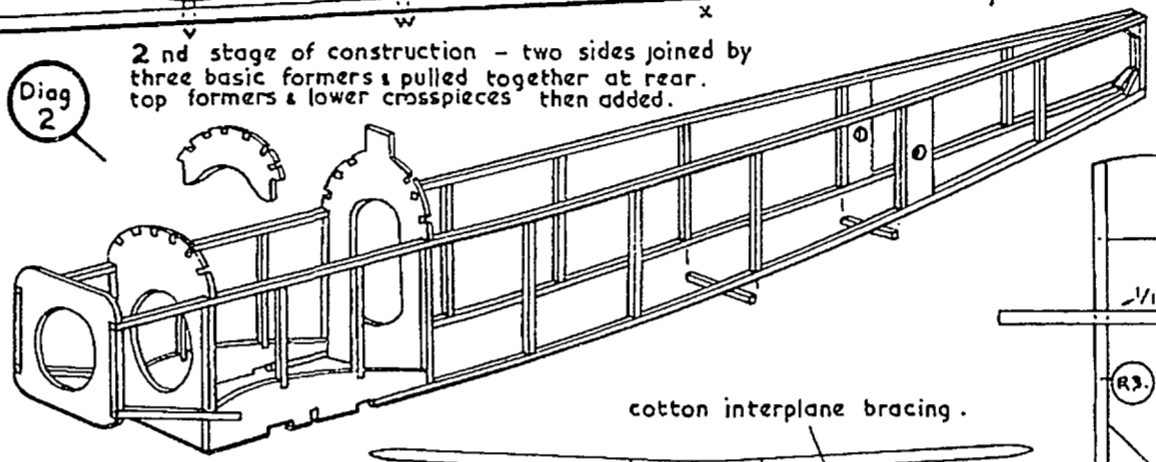
H.E.



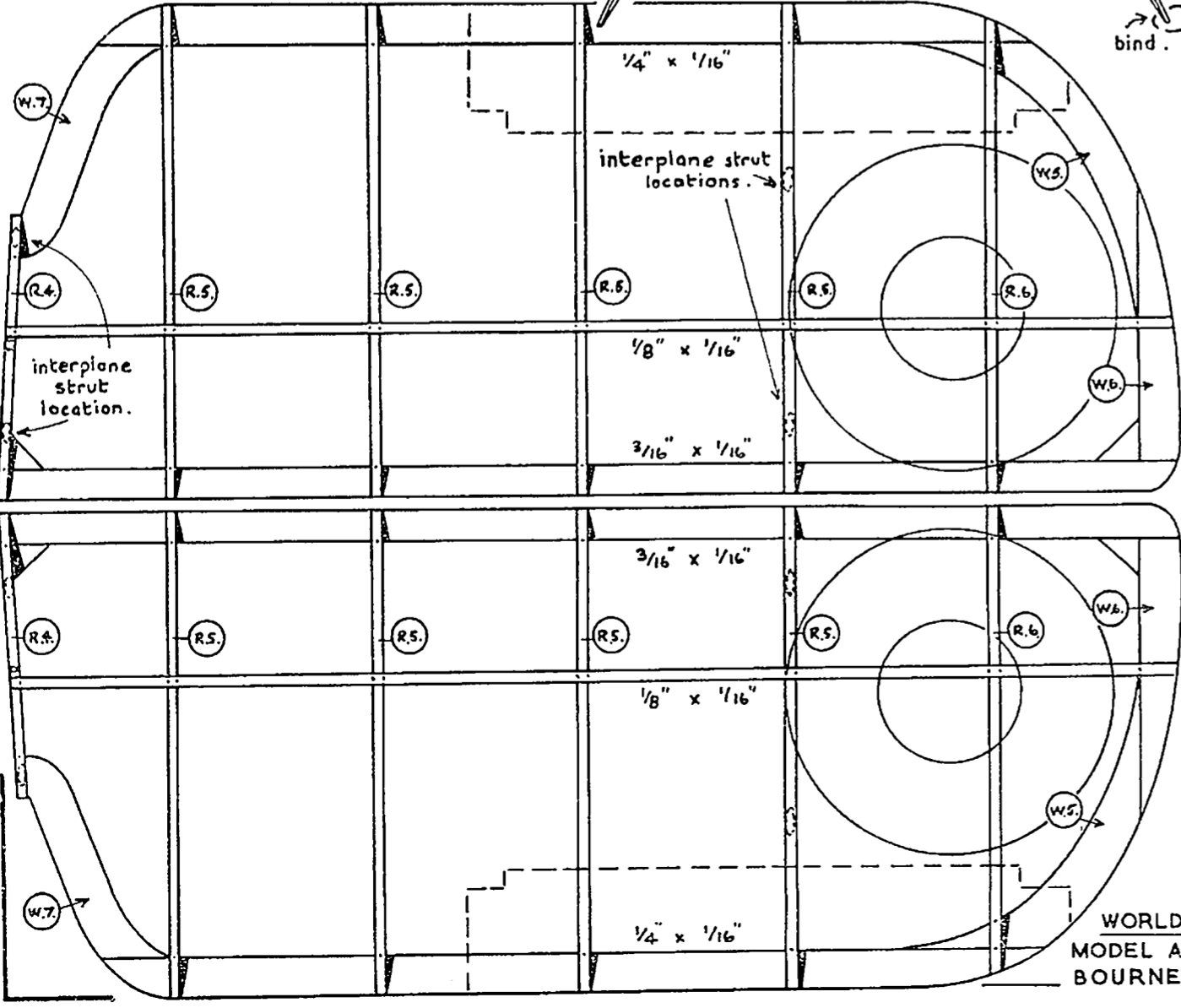
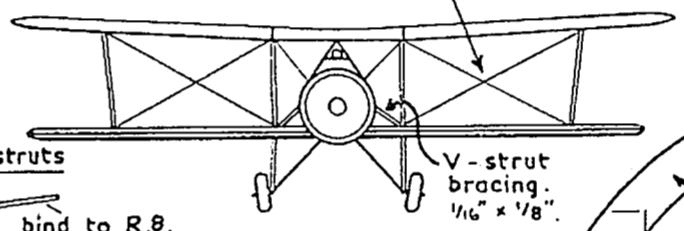
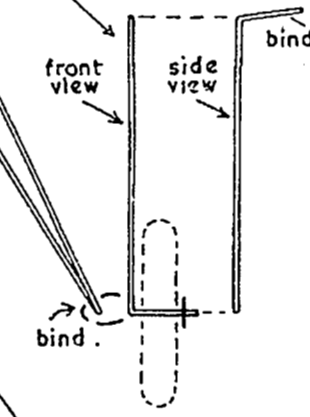
propeller & shaft assembly.



Diag 2



under-cart side struts



wing interplane struts - make 8 off from $\frac{3}{16} \times \frac{1}{16}$. trimming as required.

