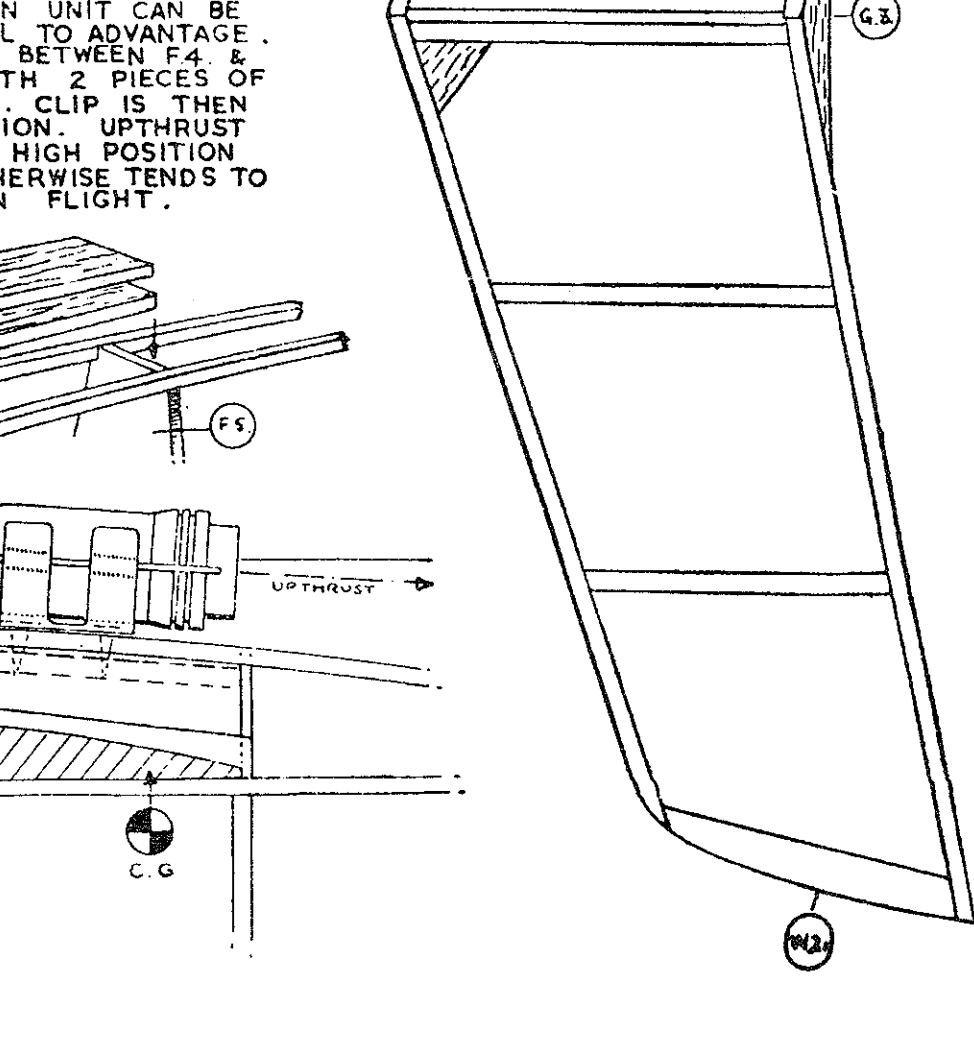
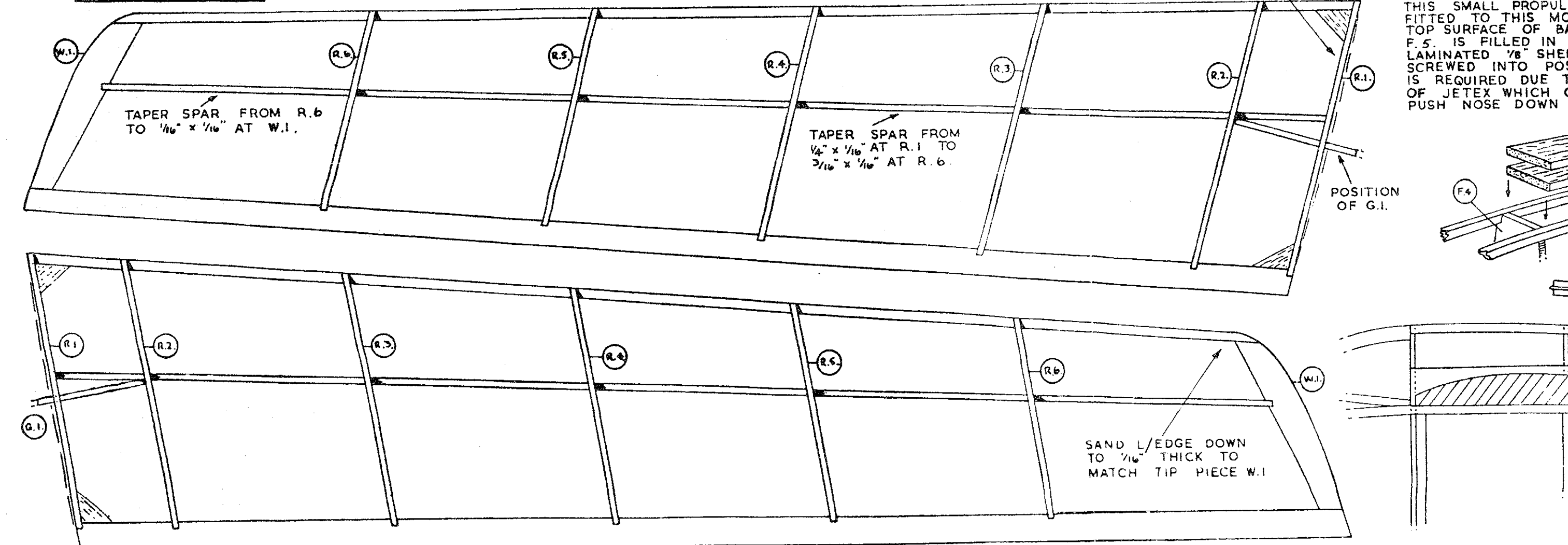
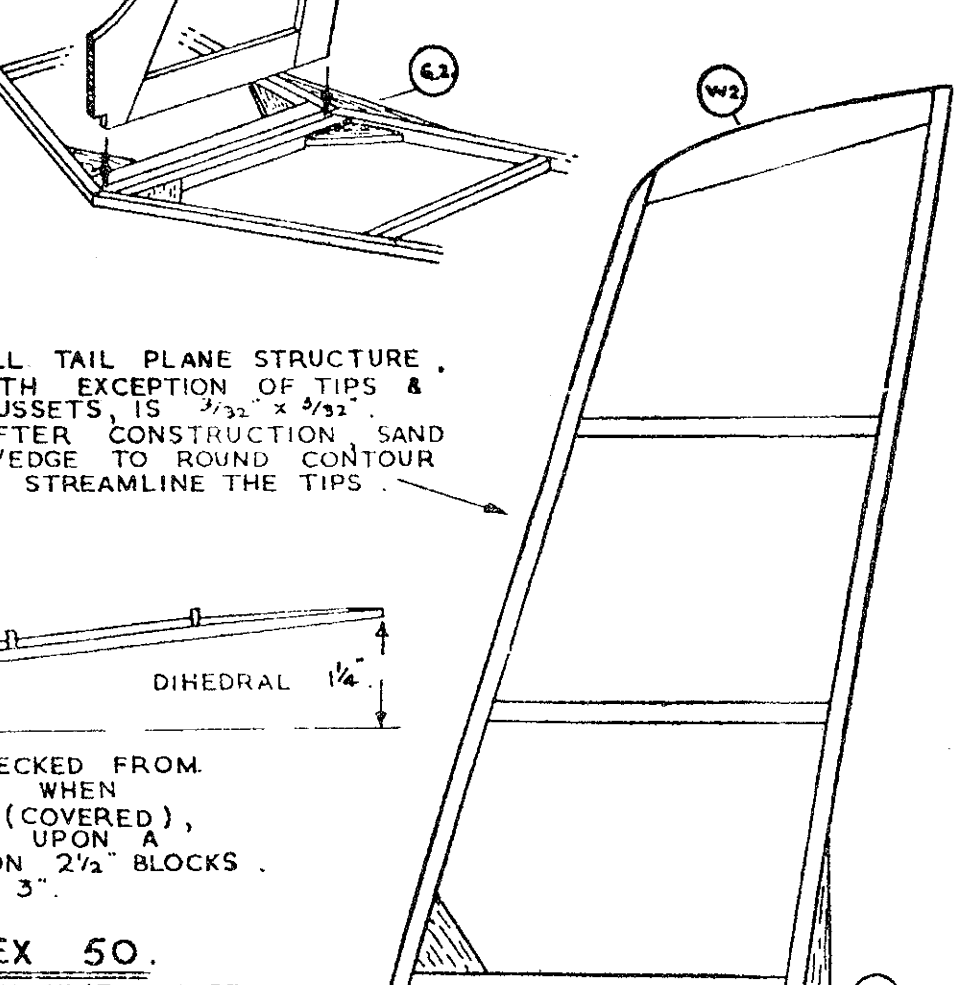
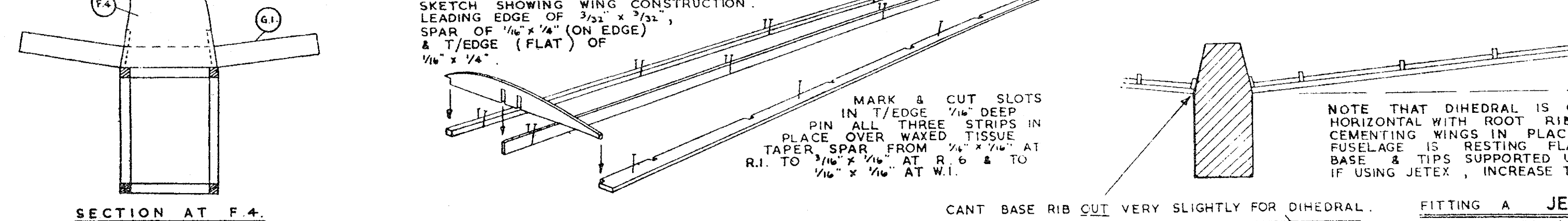
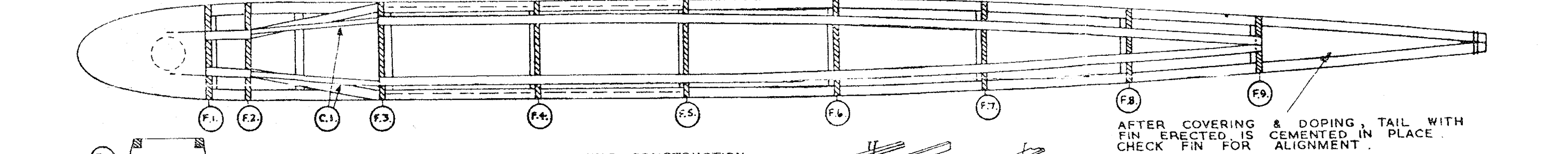
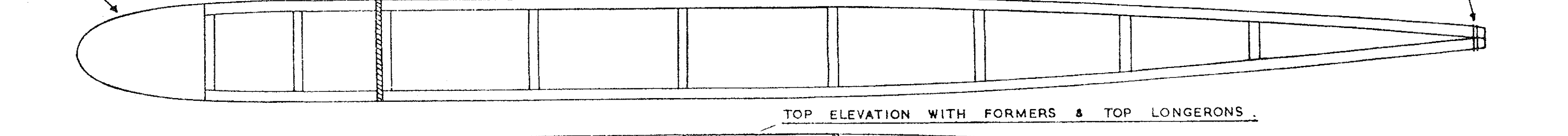
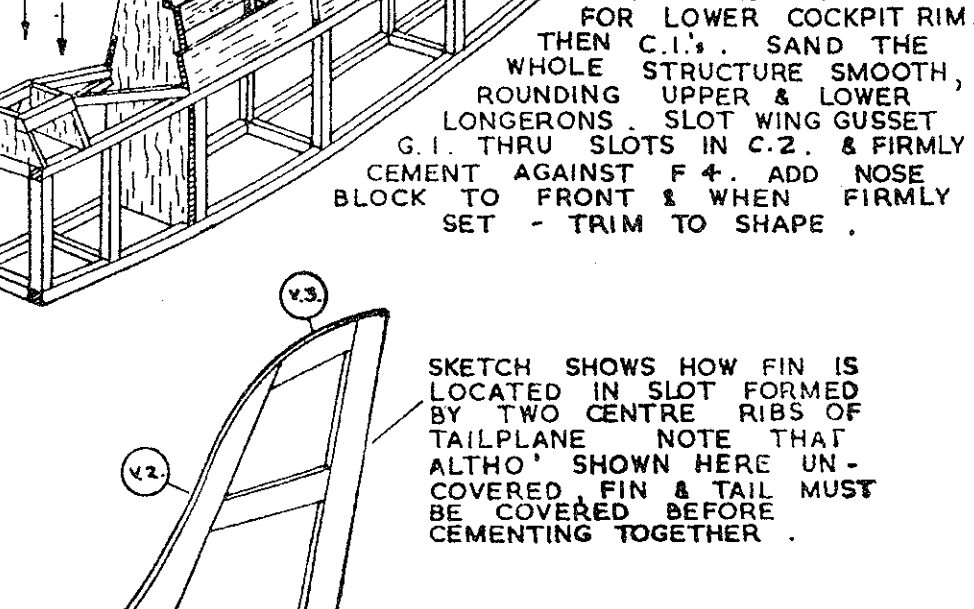
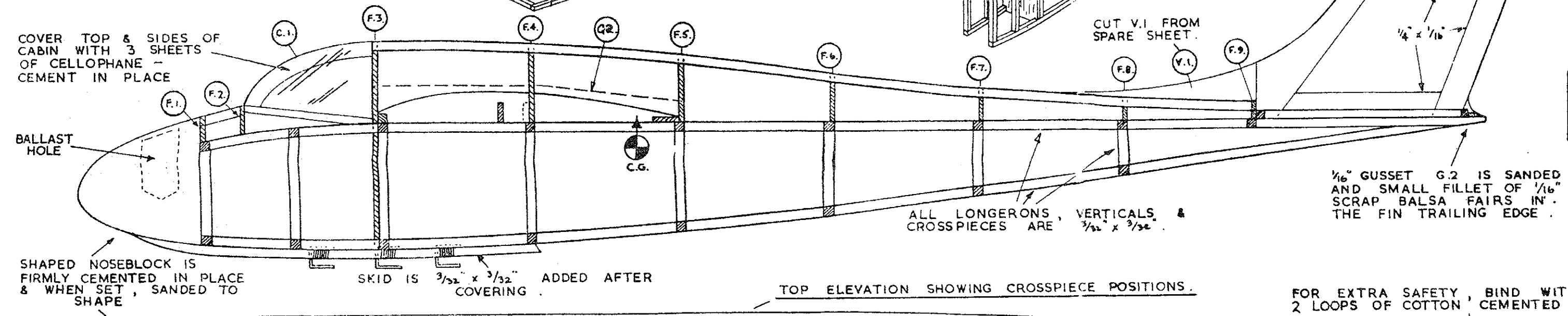
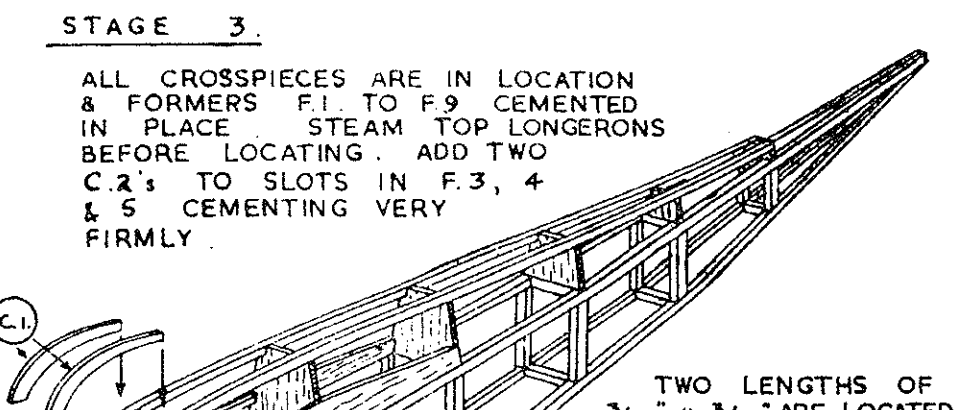
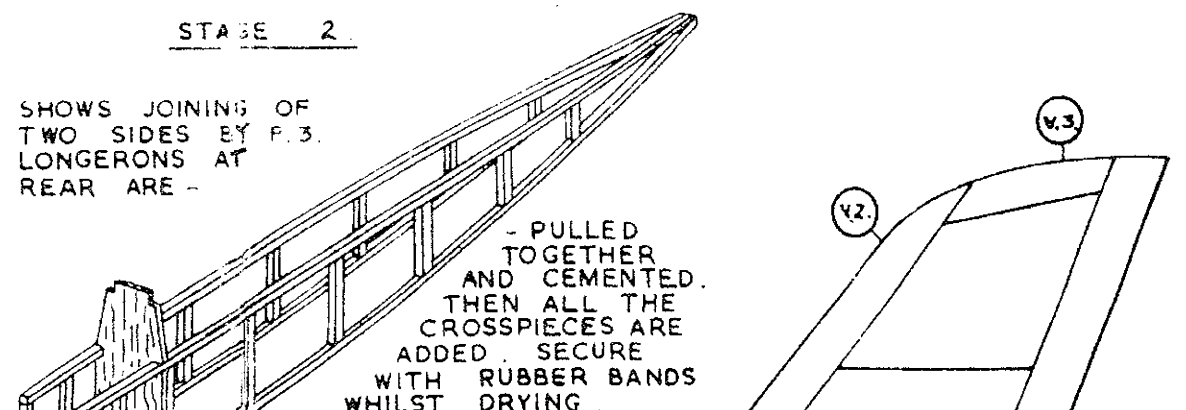
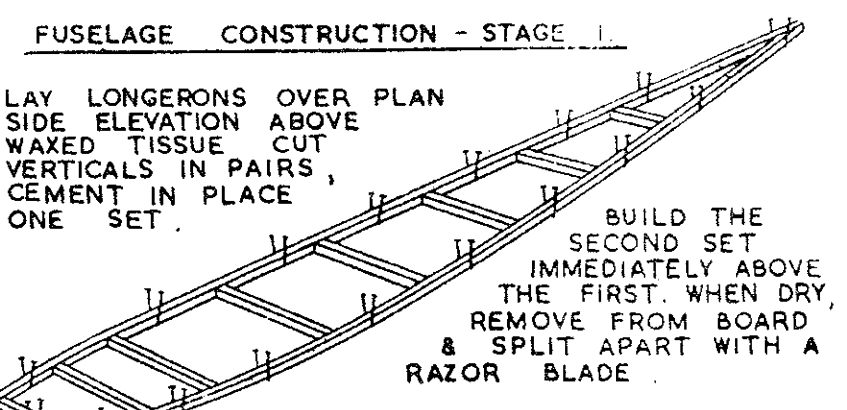
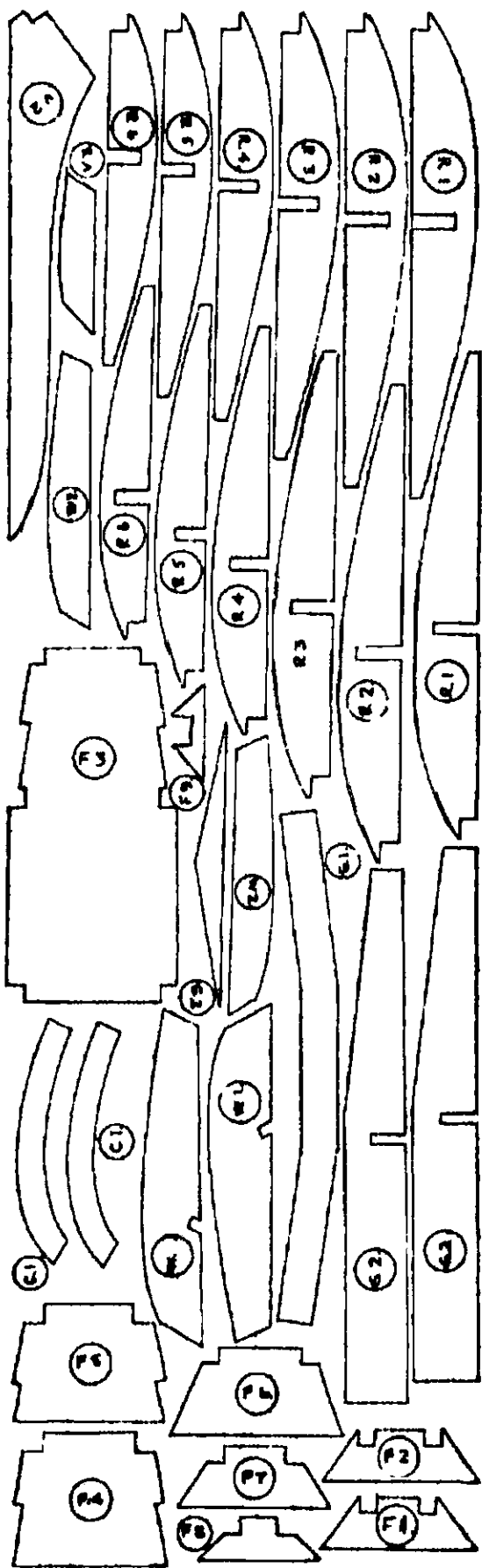


# VERON CORONETTE

26" SPAN SOARING GLIDER  
ADAPTABLE FOR JETEX 50.





CORONETTE

$\frac{1}{16}'' \times 3'' \times 12'' - 1 \text{ OFF}$