

VERON

BRITISH LIGHTWEIGHT TRAINER.

De.H. Chipmunk

H.E 20" SPAN.
DESIGNED BY PHIL SMITH.

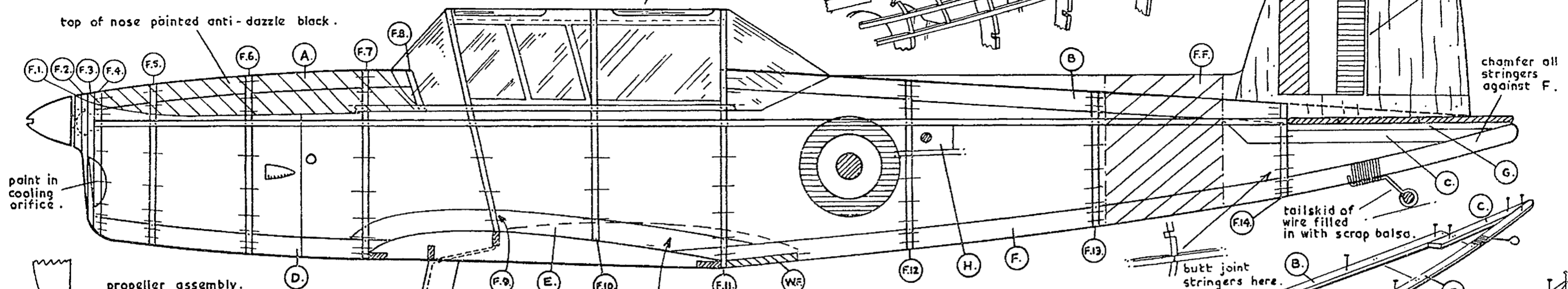
sketch showing the cabane structure.

point in all details of cabane etc..

top of nose pointed anti-dazzle black.

red white & blue fin flash.

chamfer all stringers against F.

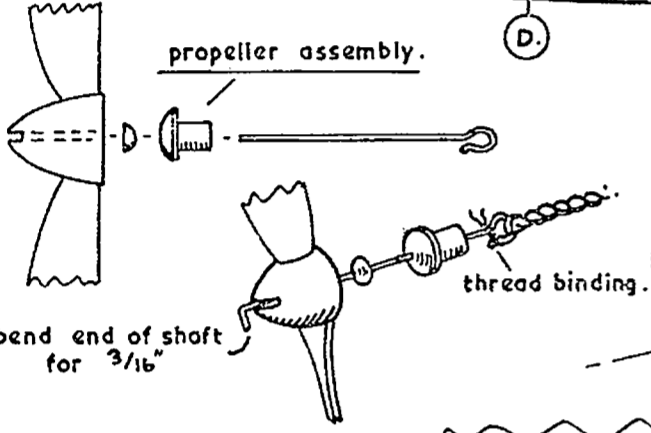


paint in cooling orifice.

propeller assembly.

card fillet adhered over final covering.

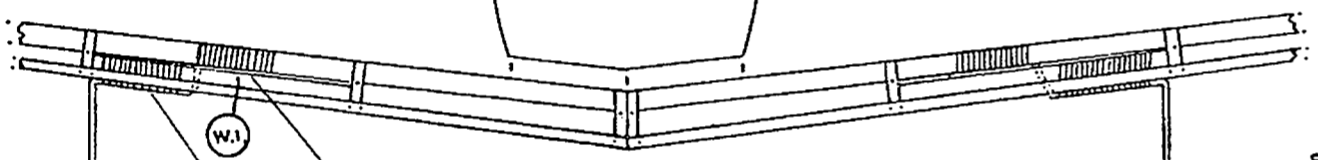
butt joint stringers here.



trace onto post card & cut out to form undercarriage fairing & wing-root fairing - make 2 of each

Diag. 1.

1st stage of construction. basic keel members are pinned in place.

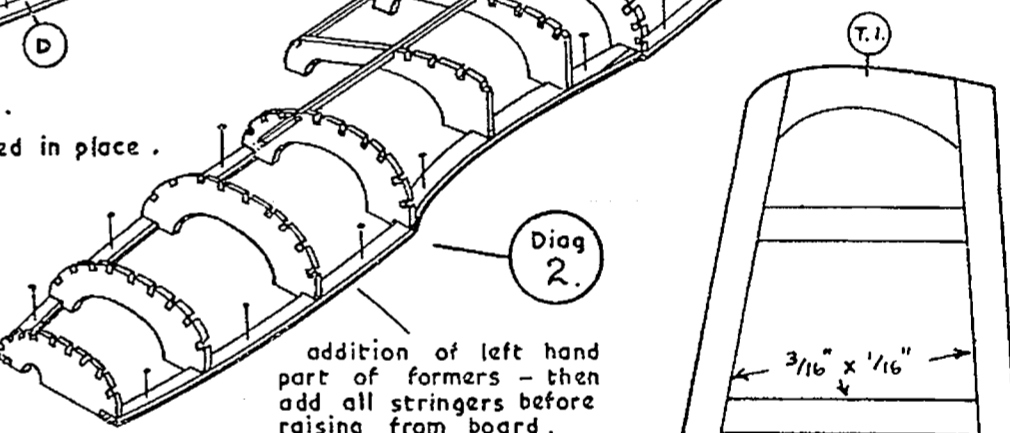


secure wheels with washer & touch of solder or blob of cement.

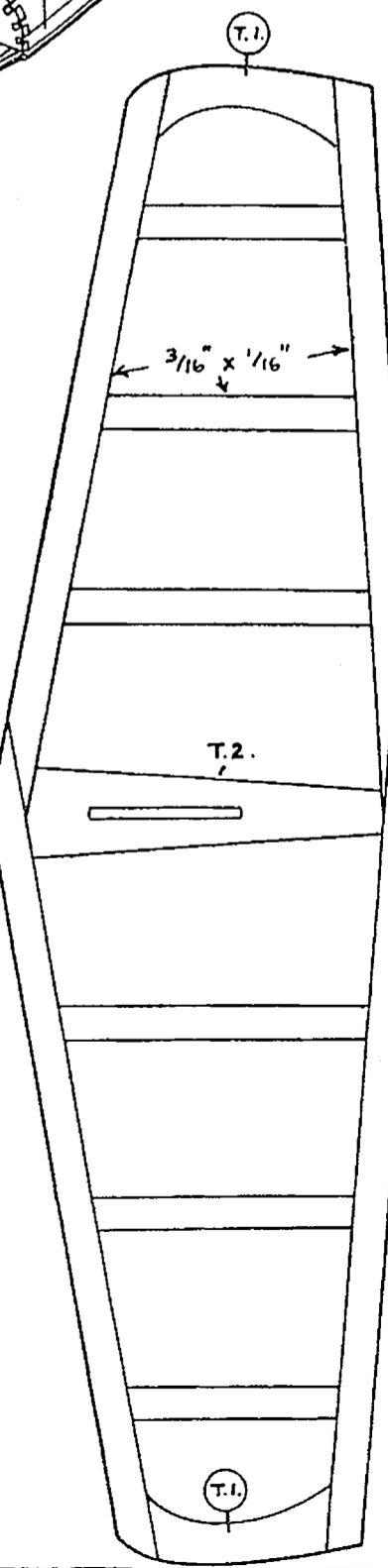
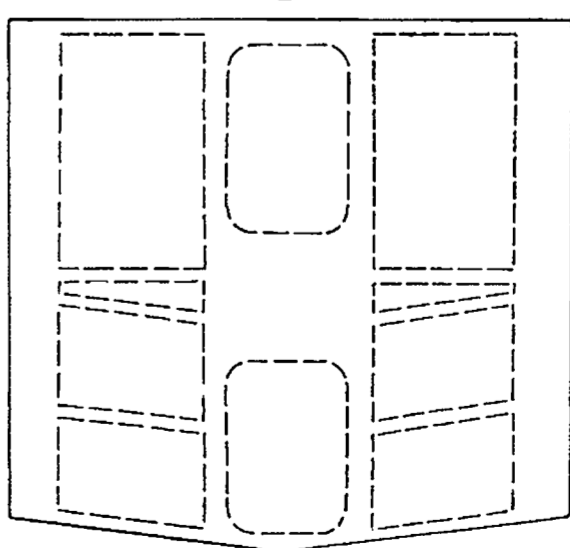
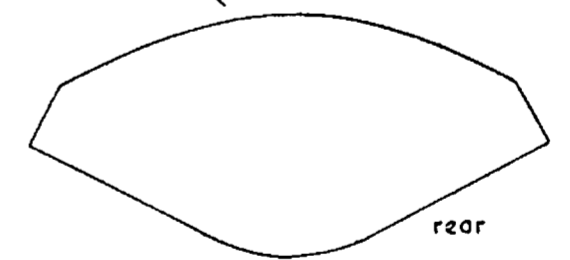
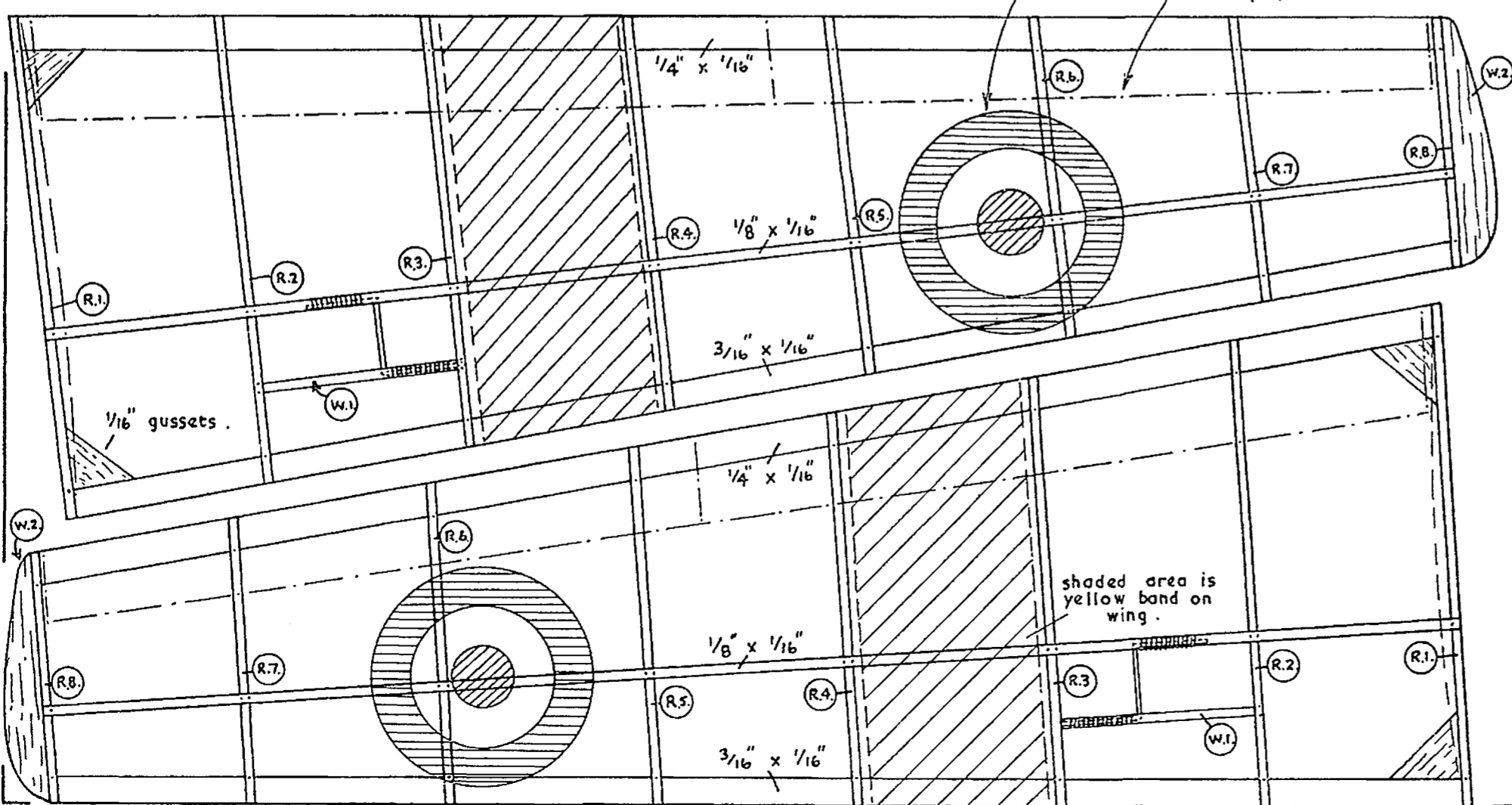
R.A.F. roundels - paint on or use transfers.

dotted line shows ailerons & flaps.

template for wing root rib - cut out & paste to card. dihedral is 1/2" at tips



below are given templates for celluloid cabane covering - pin prick outline thru' & cut out.



CHIPMUNK TRUFLITE. No. 2. 1/16" x 3" x 12" - 1 OFF.

