

1/2 c.c. TEAM - RACER



"MIRAGE"

A C/L MODEL FOR THE FROG "50" SUITABLE FOR ANY 1/2 c.c. ENGINE

SPECIFICATION :	
WINGSPAN	15"
LENGTH	13 1/4"
WT. ALL UP	4 ozs.
WING AREA	37 1/2 sq. ins.

CAT. No. 687 KP

DESIGNED BY C.T.B.

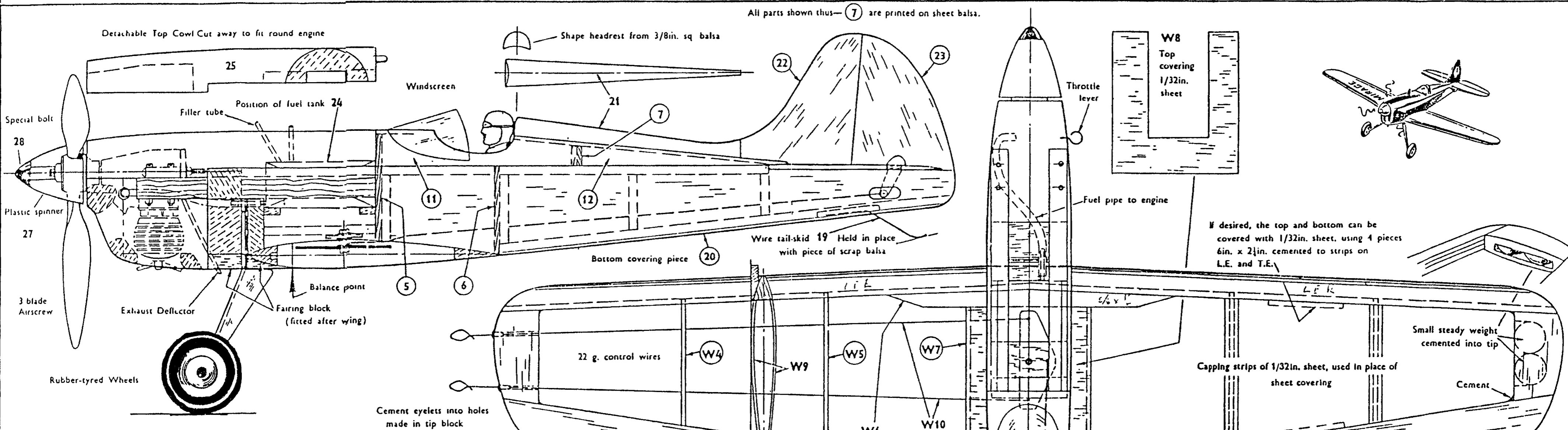


FIG. 1 CEMENT STRIPS AND ENGINE-BEARERS TO FUSELAGE SIDES.

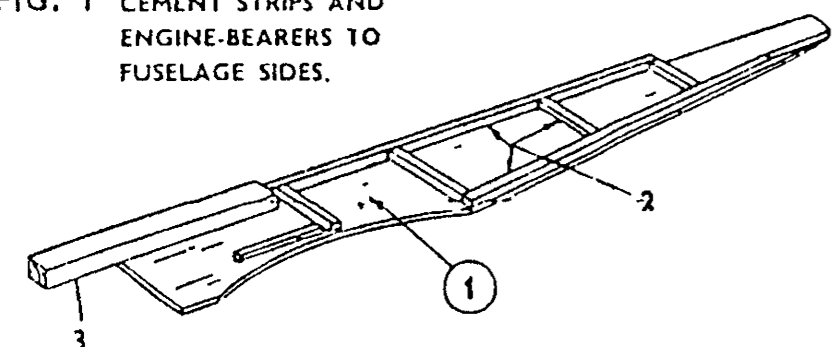


FIG. 2 ASSEMBLE THE SIDES WITH BLOCK AND BULKHEAD.

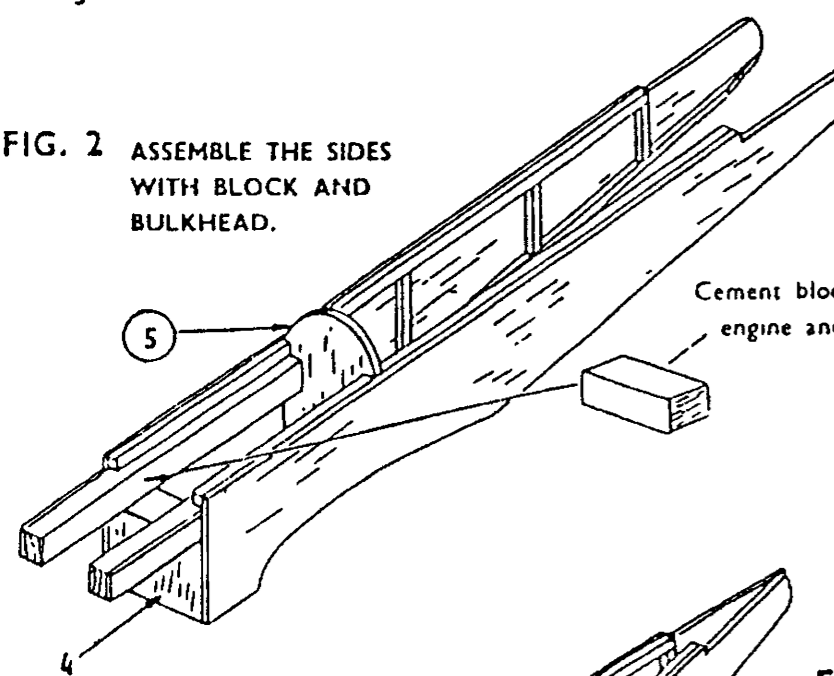


FIG. 3 COMPLETE THE ASSEMBLY, AND FIX THE U/C IN PLACE.

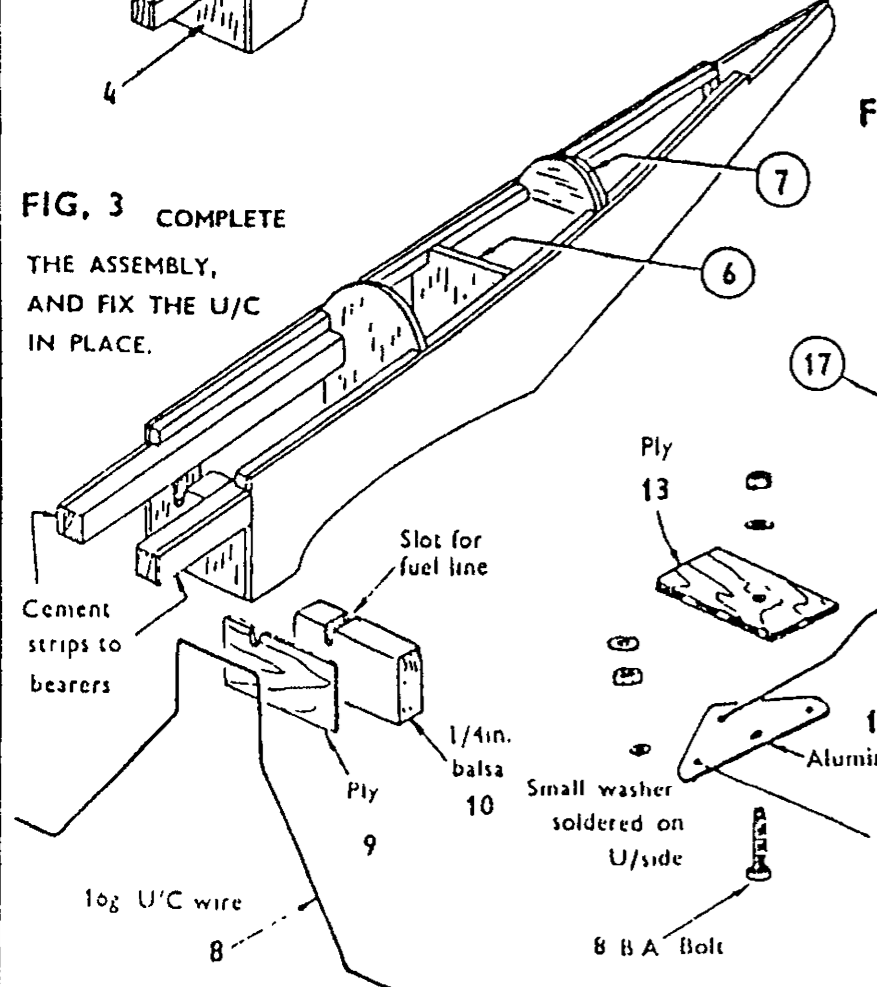


FIG. 6 BUILD UP TWO HALVES OF WING OVER PLAN.

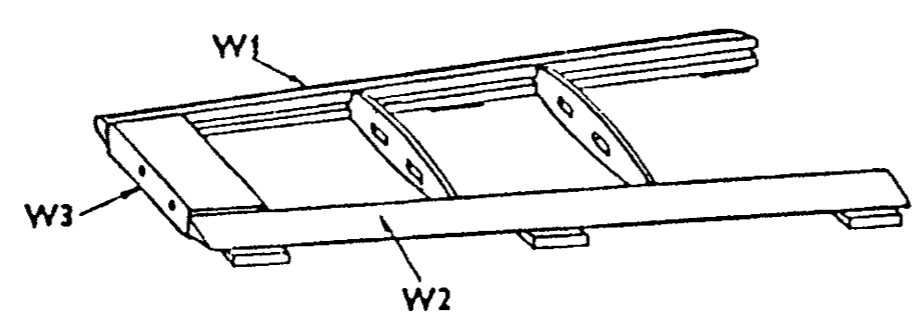


FIG. 7 ASSEMBLE HALVES TOGETHER WITH STRIPS OF 5/8in. x 1/4in.

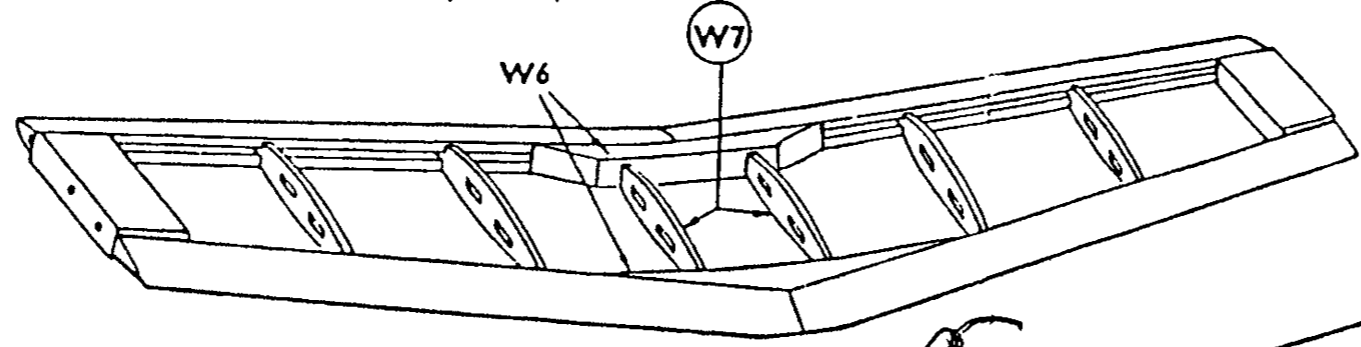
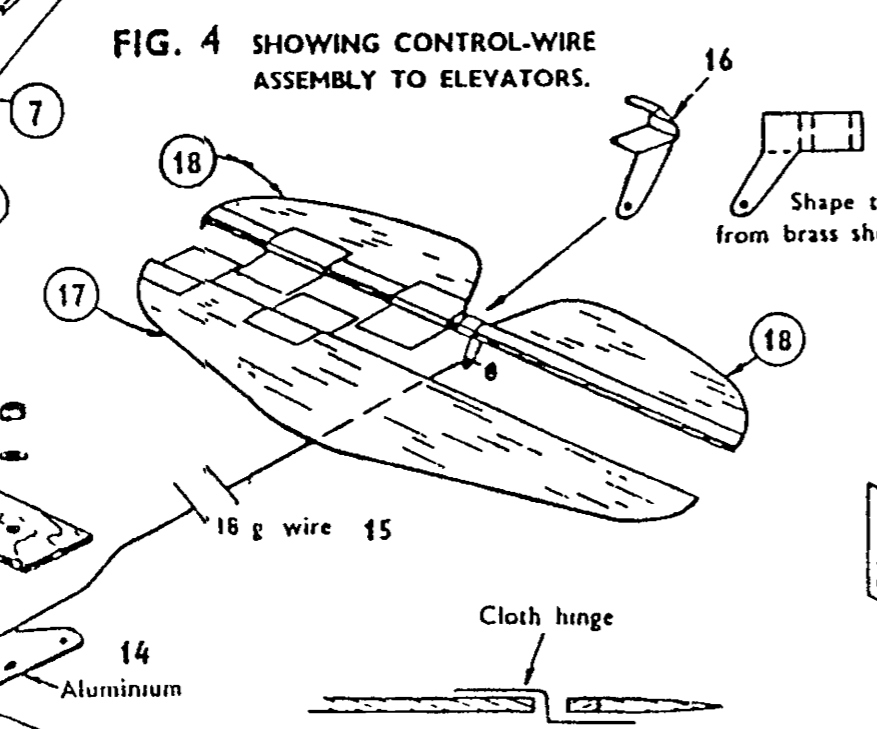


FIG. 4 SHOWING CONTROL-WIRE ASSEMBLY TO ELEVATORS.



Tank held vertical while soldering end pieces

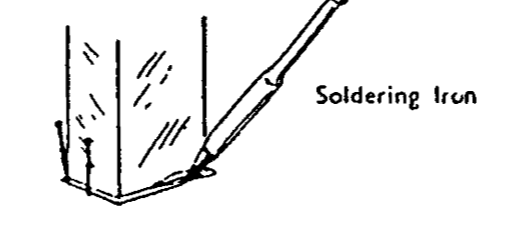


FIG. 5 FUEL TANK ASSEMBLY.

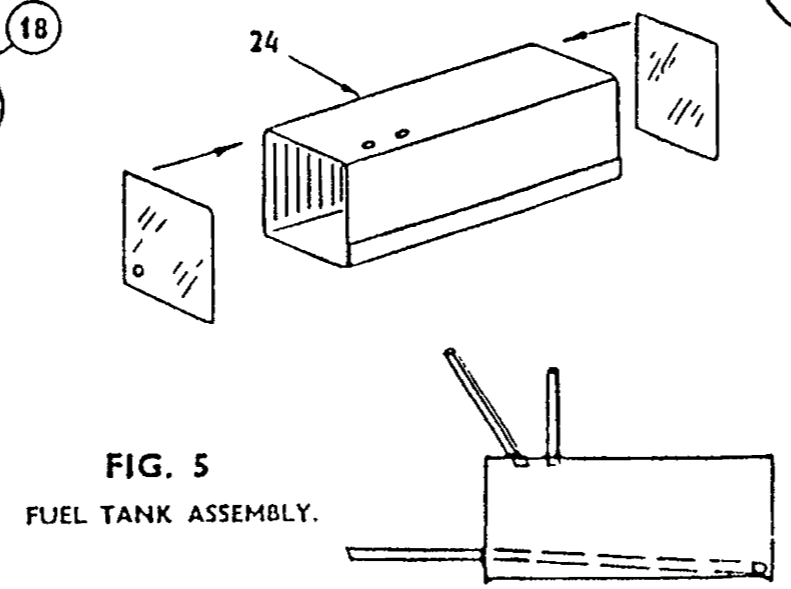


FIG. 8 LOWER ENGINE COWL (DETACHABLE).

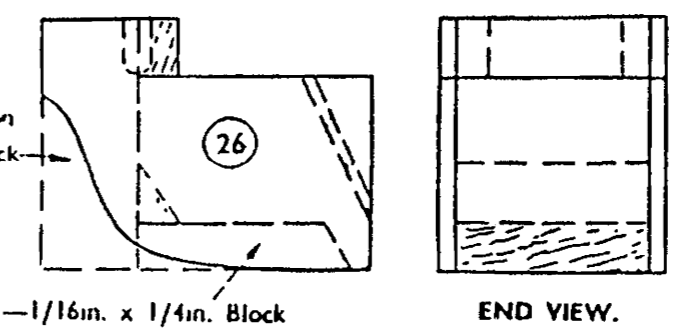


FIG. 10 COMPLETED COWL.

