

SIDE VIEW (Full size)

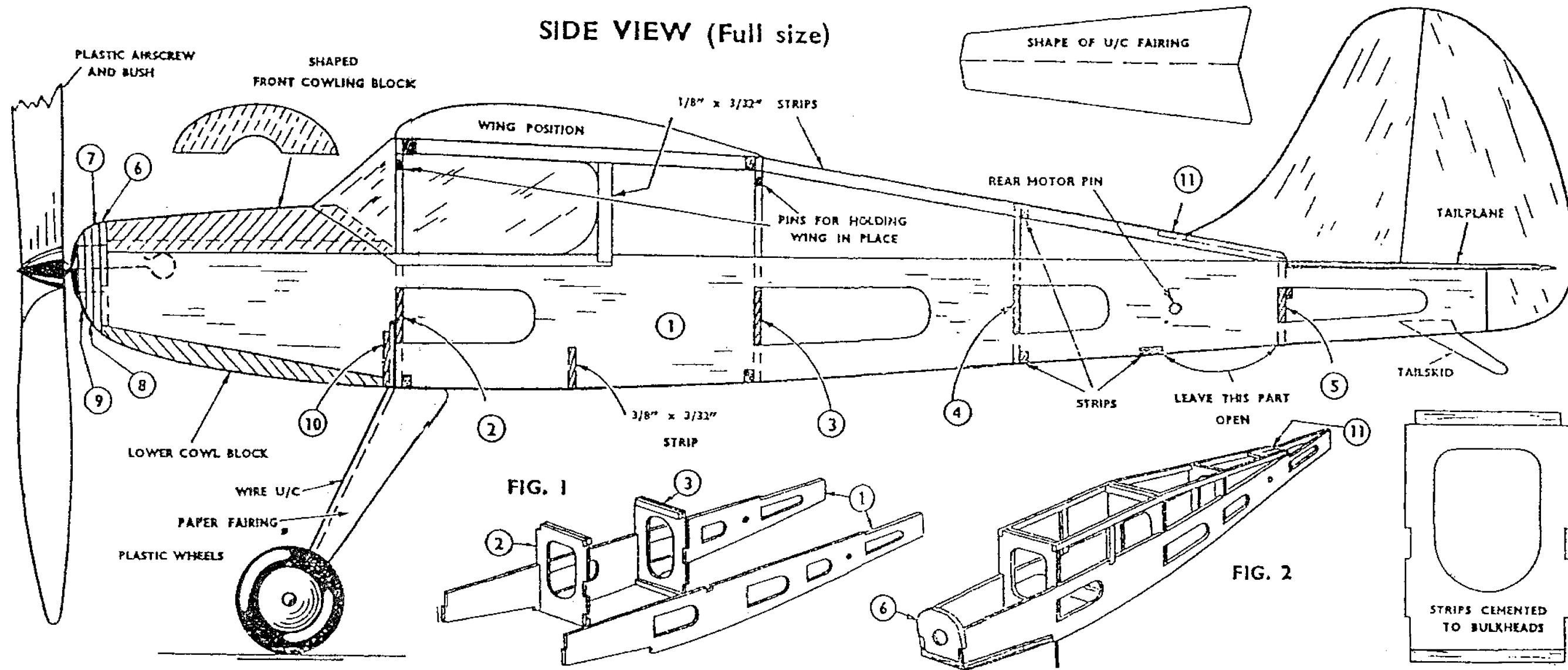
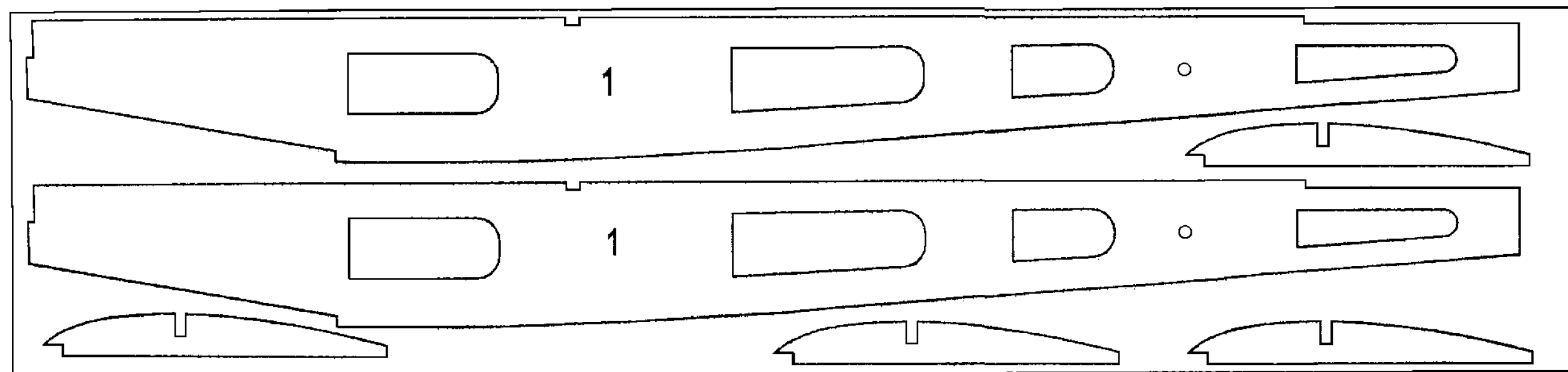
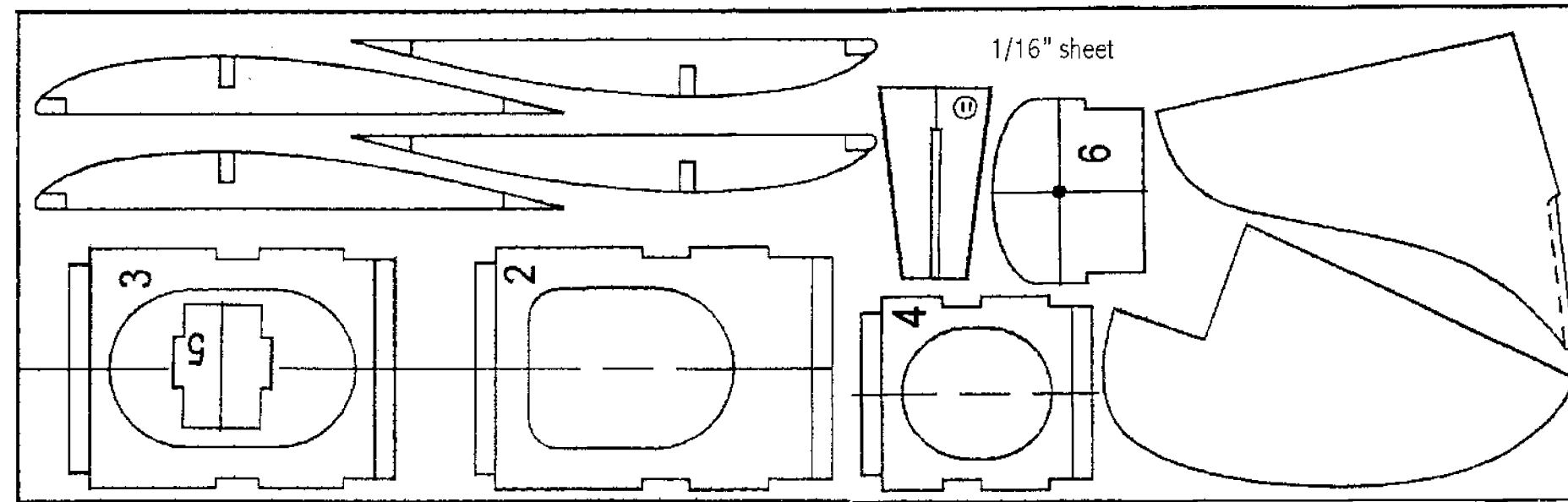
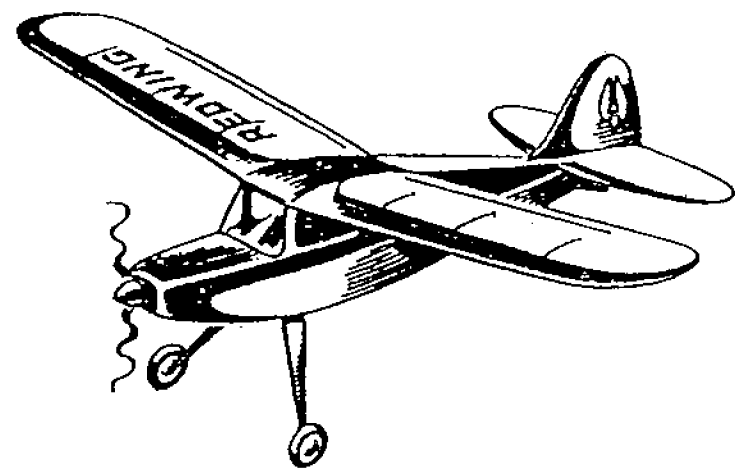
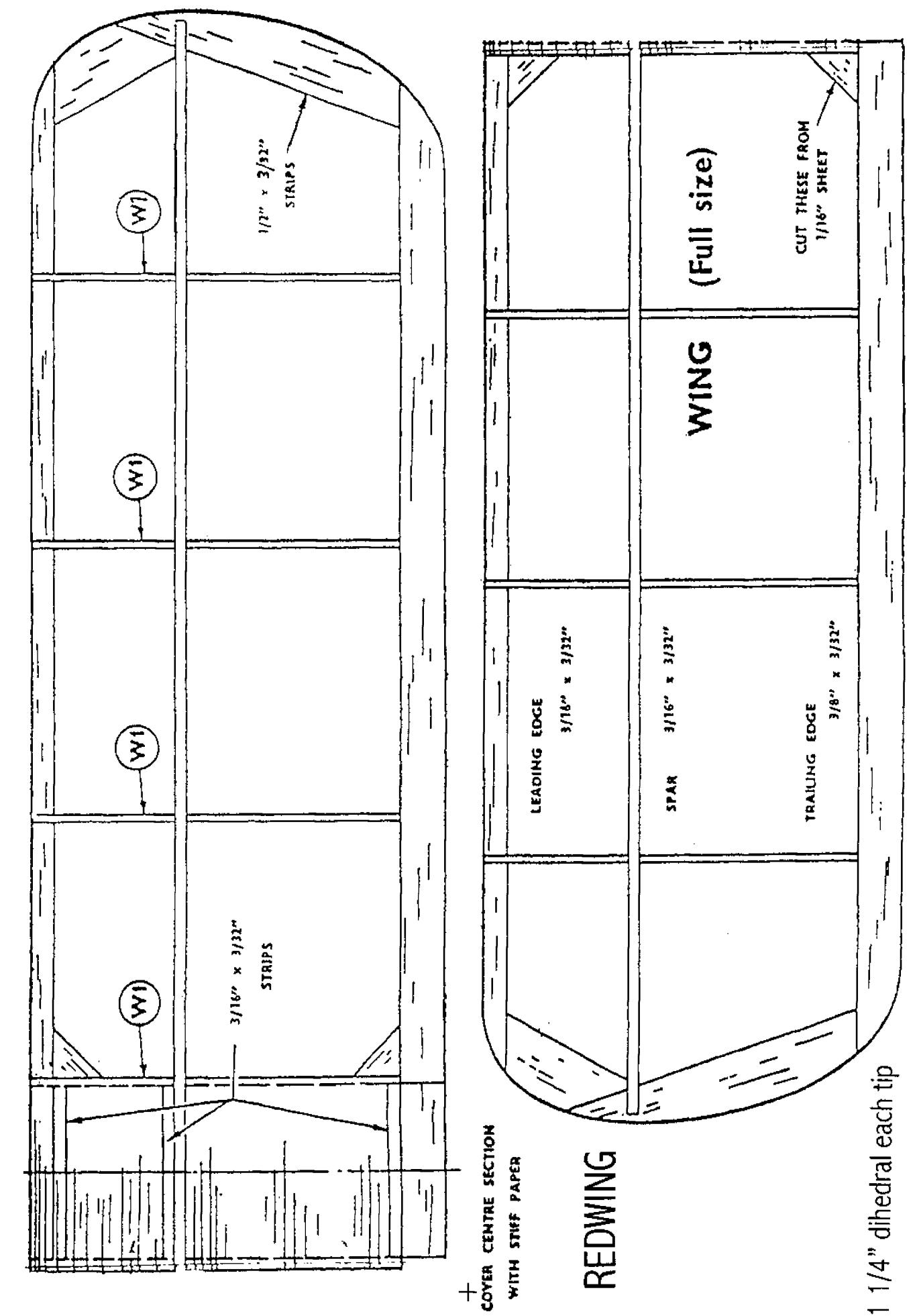
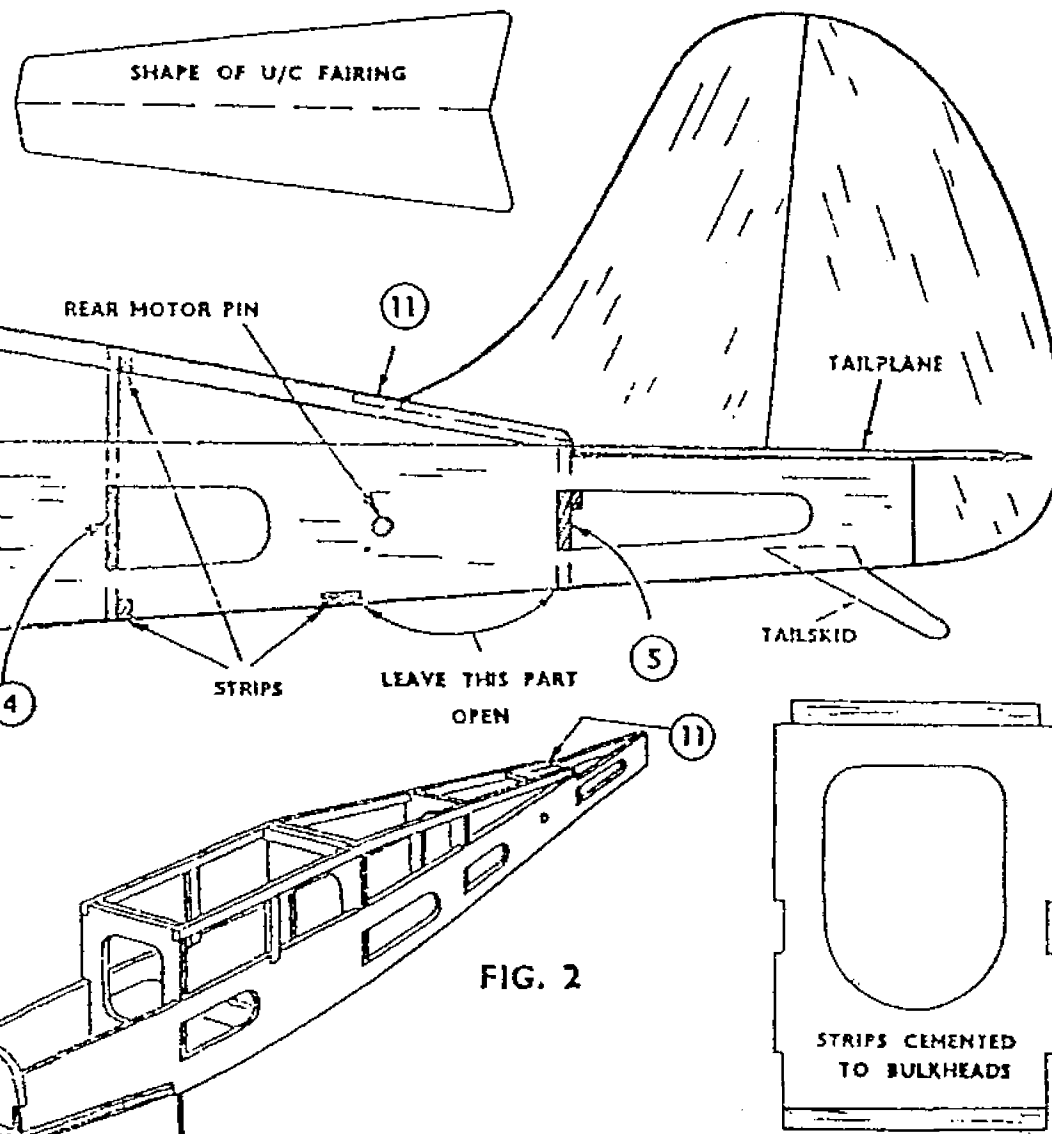


FIG. 1

FIG. 2



Frog Redwing Parts Layout for Printout on 8-1/2" x 11" Paper.
Printout should measure 3" x 13". Use 1/16" thick Balsa



REDWING

1 1/4" dihedral each tip

