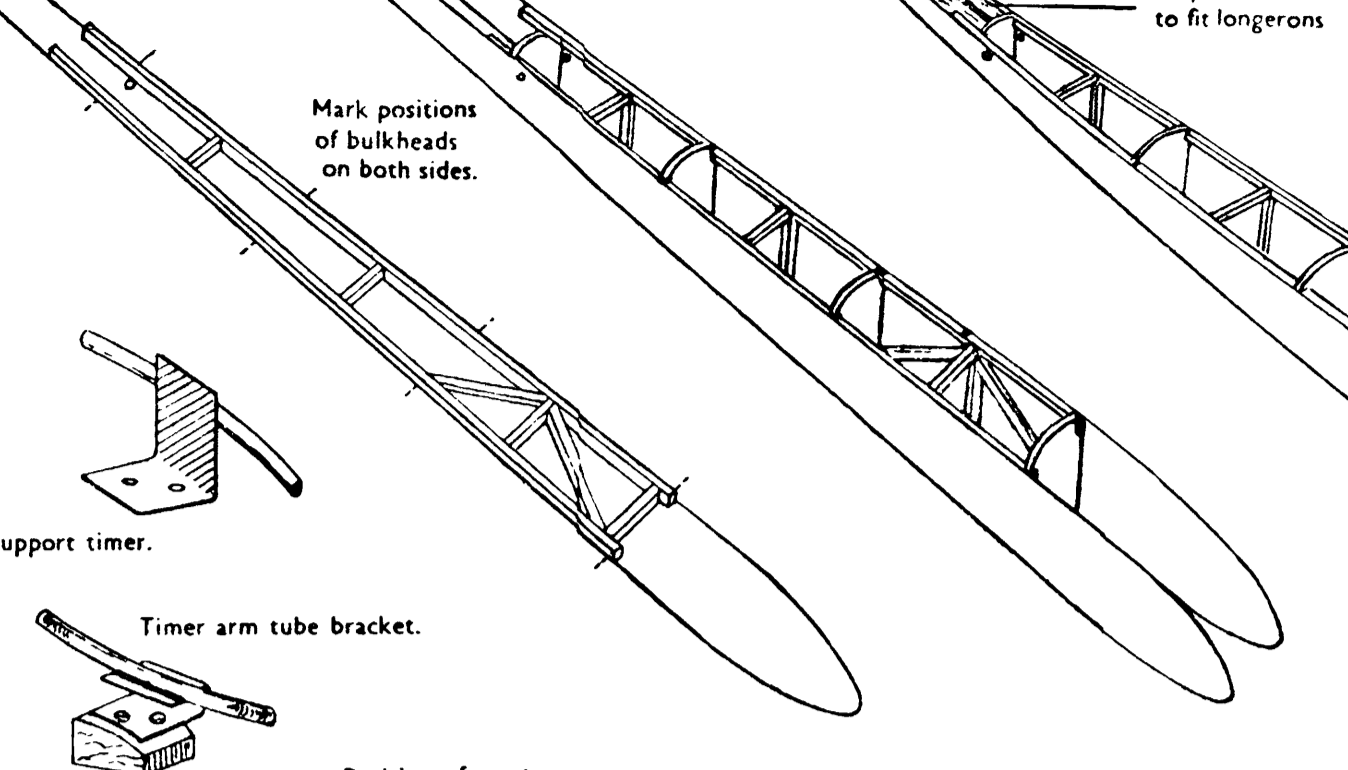


FIG. 1

FIG. 2

FIG. 3



See separate leaflet for instructions, and note about insurance. All parts are balsa unless otherwise stated.

Fin is cemented to tailplane.

Fit fuse here.

Thread.

"Flip-up" tail acts as dethermaliser.

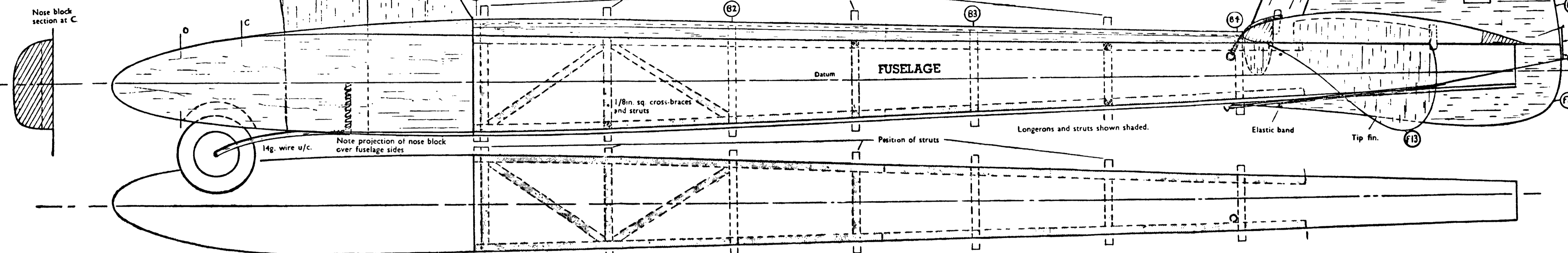


FIG. 4

FIG. 5

FIG. 6

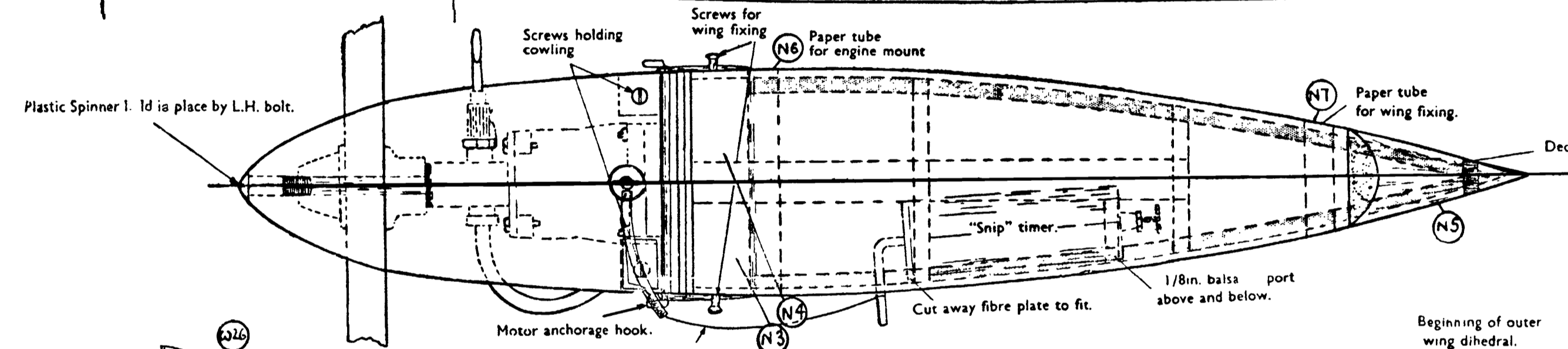
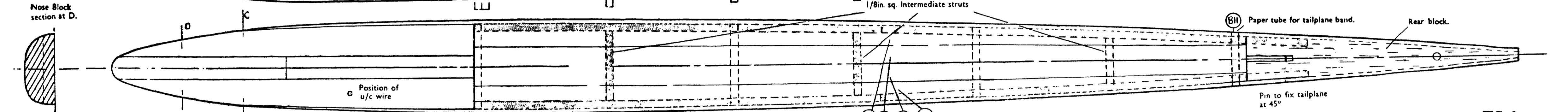
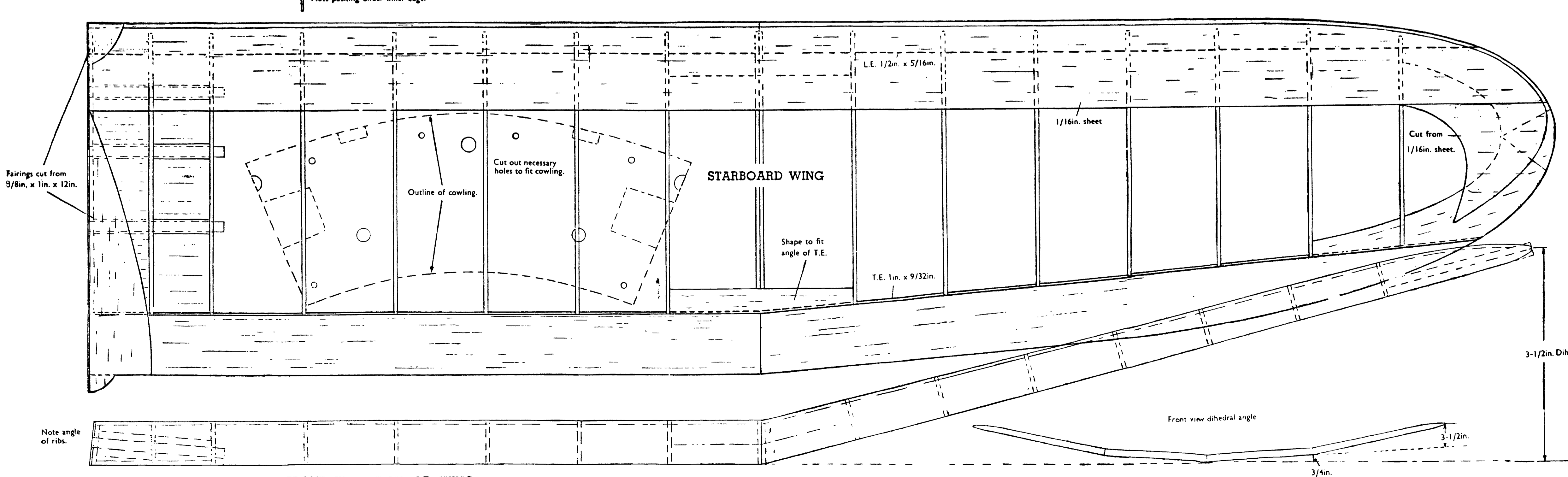
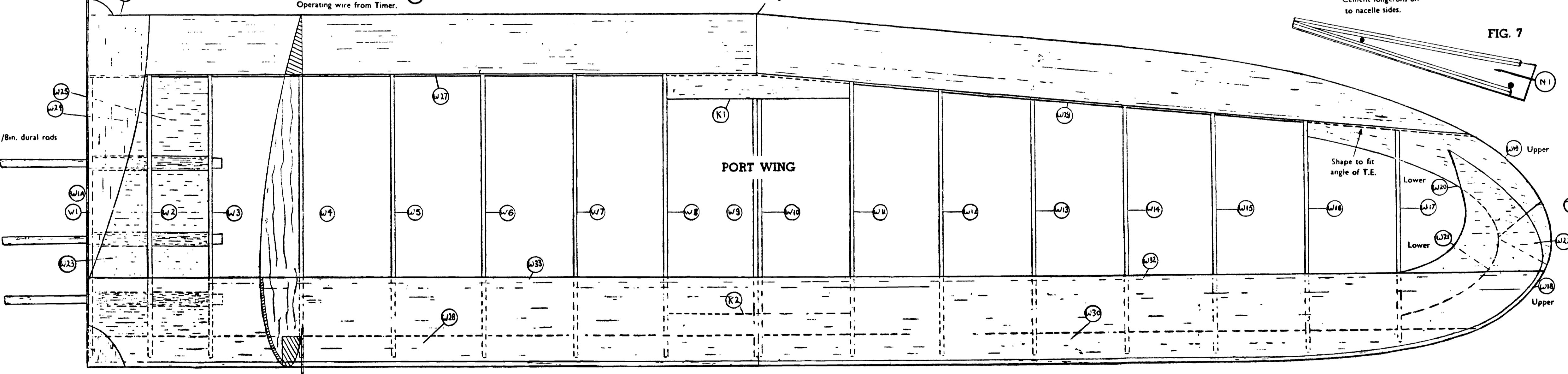


FIG. 7

FIG. 8

FIG. 9



FRONT ELEVATION OF WING