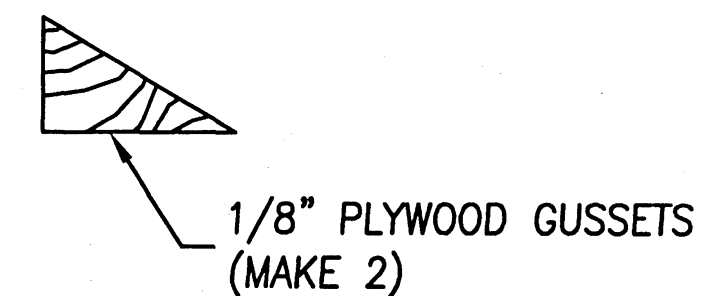
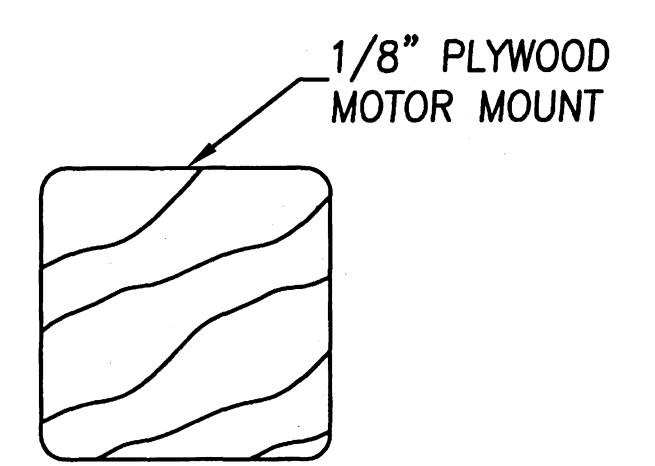
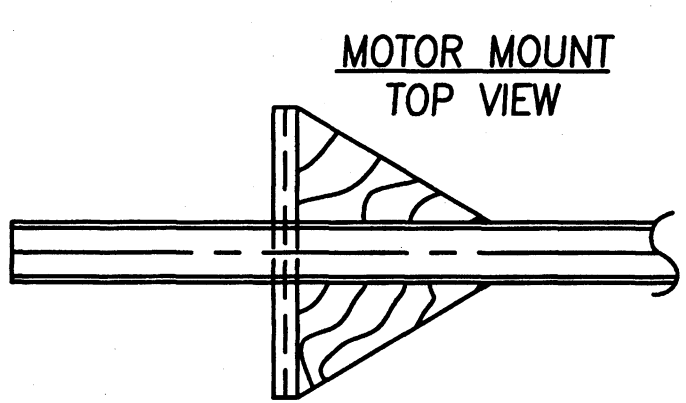


ARCHIVE #003291
COOPERATIVE PLANS SERVICE
www.co-op-plans.com
COPYRIGHT 2013 - NOT FOR RESALE
PLEASE DO NOT POST ON THE INTERNET
CLICK HERE FOR INFO & FREE PLAN LIST

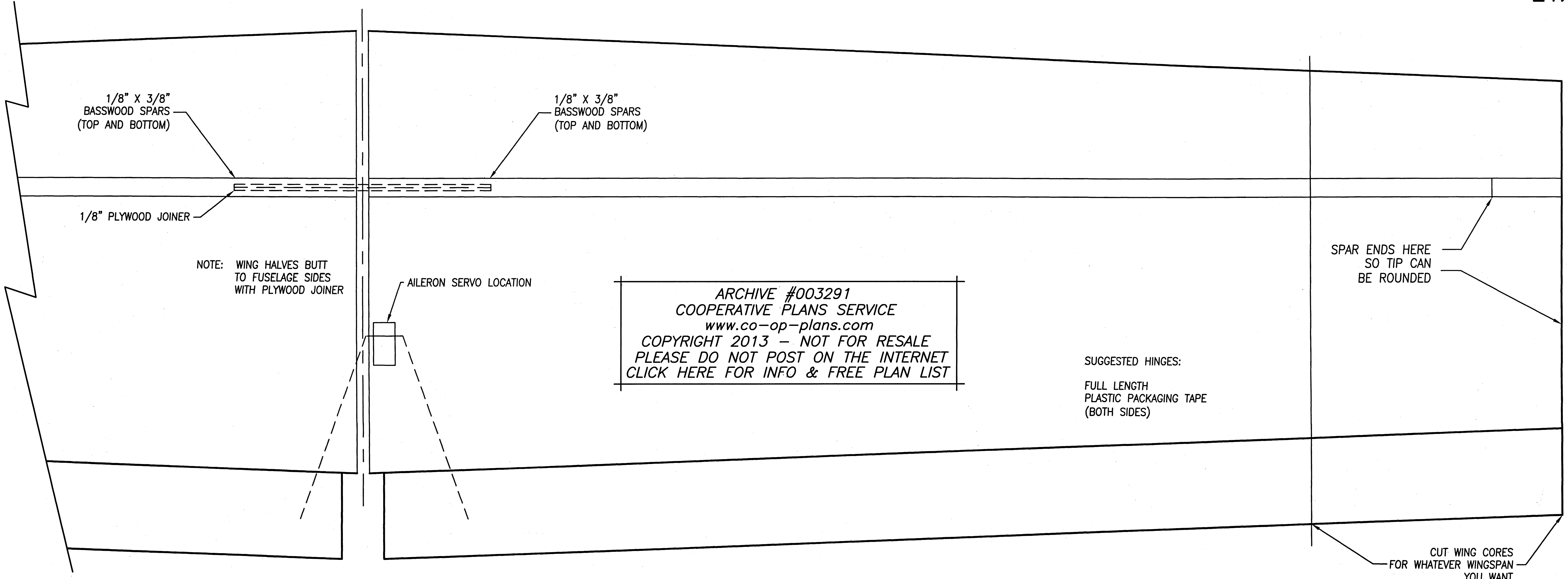
FUSELAGE, AILERONS, AND TAIL SURFACES
MADE OF 5MM OR 1/4" FOAM FROM:
Balsa PRODUCTS FOAM
OR - INSULATION FOAM
OR - DEPRON
OR - MIDWEST
CELLFOAM 88

CONSTRUCTION ARTICLE IN
RCMW-FSP APRIL 2013
www.fullsizeplans.com/
CLICK HERE TO GO TO WEBSITE

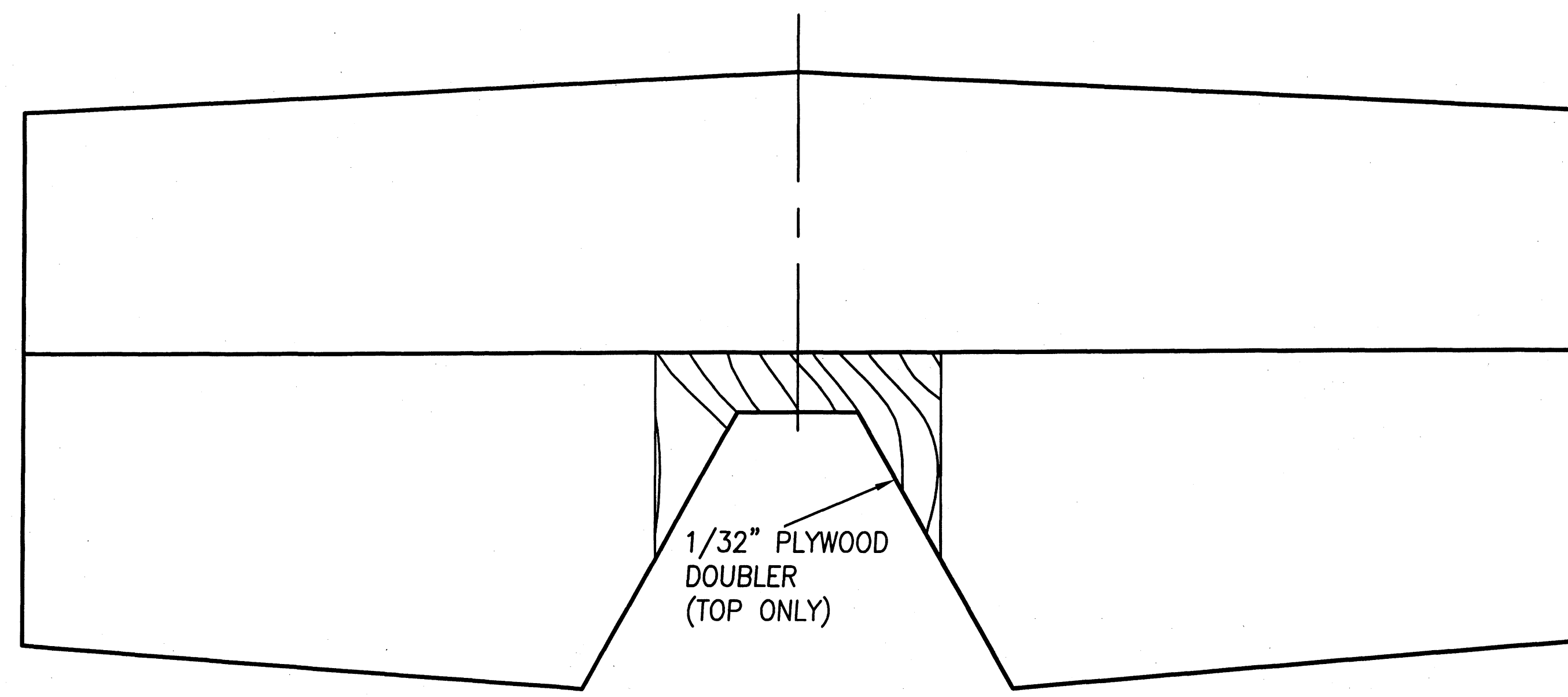
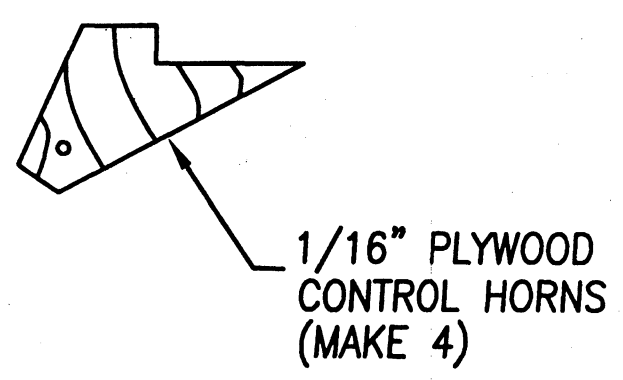
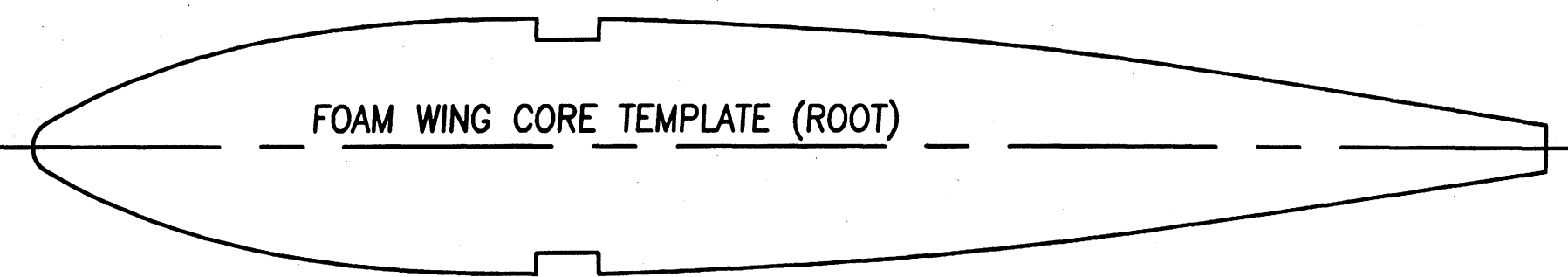
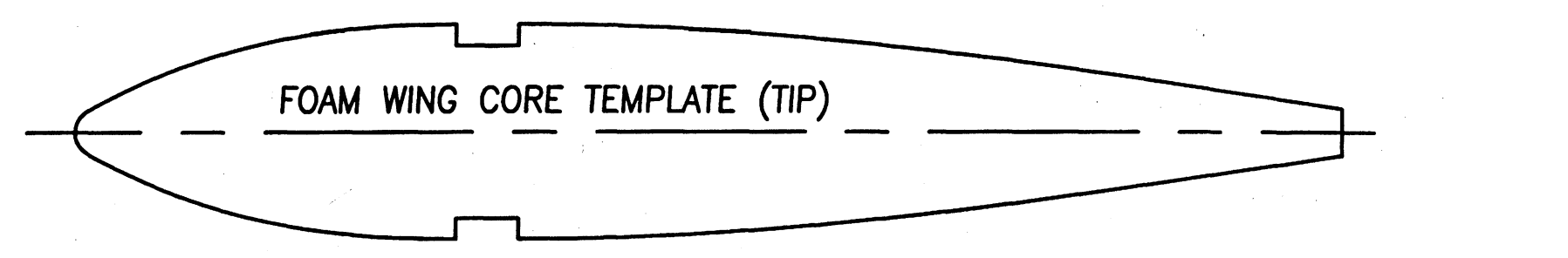


FOAM WING CORES AVAILABLE FROM:
THE CORE HOUSE
34 SWEET ARROW DRIVE
HUMMELSTOWN, PA USA 17036
717-566-3810
philcartier@earthlink.net
OR
ROBIN'S VIEW PRODUCTIONS
PO BOX 68
STOCKERTOWN, PA USA 18083
610-746-0106
robinhunt@ren.com

RC MICRO WORLD & FULL SIZE PLANS
VERY WINDY
AN ELECTRIC POWERED R/C PROFILE FOAMIE
WING SPAN: 38 1/2" - 48 1/4"
LENGTH: 31 7/8"
WING AREA 380 SQI - 470 SQ IN
DESIGNED BY: DICK SARPOLUS
CAD BY: BOB KRUGER
25 AUGUST 2012 SHEET 1 OF 2



ARCHIVE #003291
 COOPERATIVE PLANS SERVICE
 www.co-op-plans.com
 COPYRIGHT 2013 - NOT FOR RESALE
 PLEASE DO NOT POST ON THE INTERNET
 CLICK HERE FOR INFO & FREE PLAN LIST



CONSTRUCTION ARTICLE IN
 RCMW-FSP APRIL 2013
 www.fullsizeplans.com/
 CLICK HERE TO GO TO WEBSITE

RC MICRO WORLD & FULL SIZE PLANS
 VERY WINDY
 AN ELECTRIC POWERED R/C PROFILE FOAMIE
 WING SPAN: 38 1/2" - 48 1/4"
 LENGTH: 31 7/8"
 WING AREA 380 SQI - 470 SQ IN
 DESIGNED BY: DICK SARPOLUS
 CAD BY: BOB KRUGER
 25 AUGUST 2012