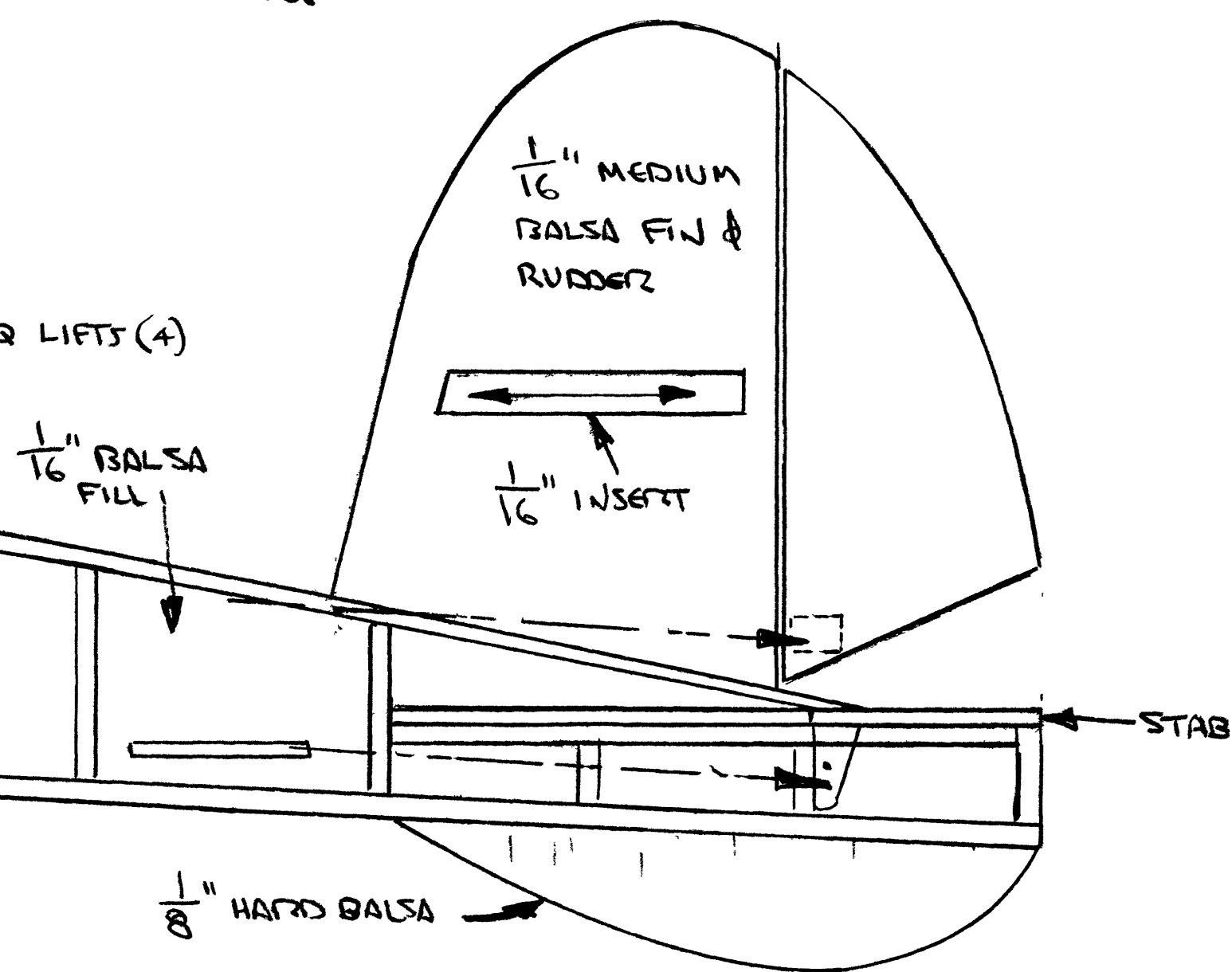
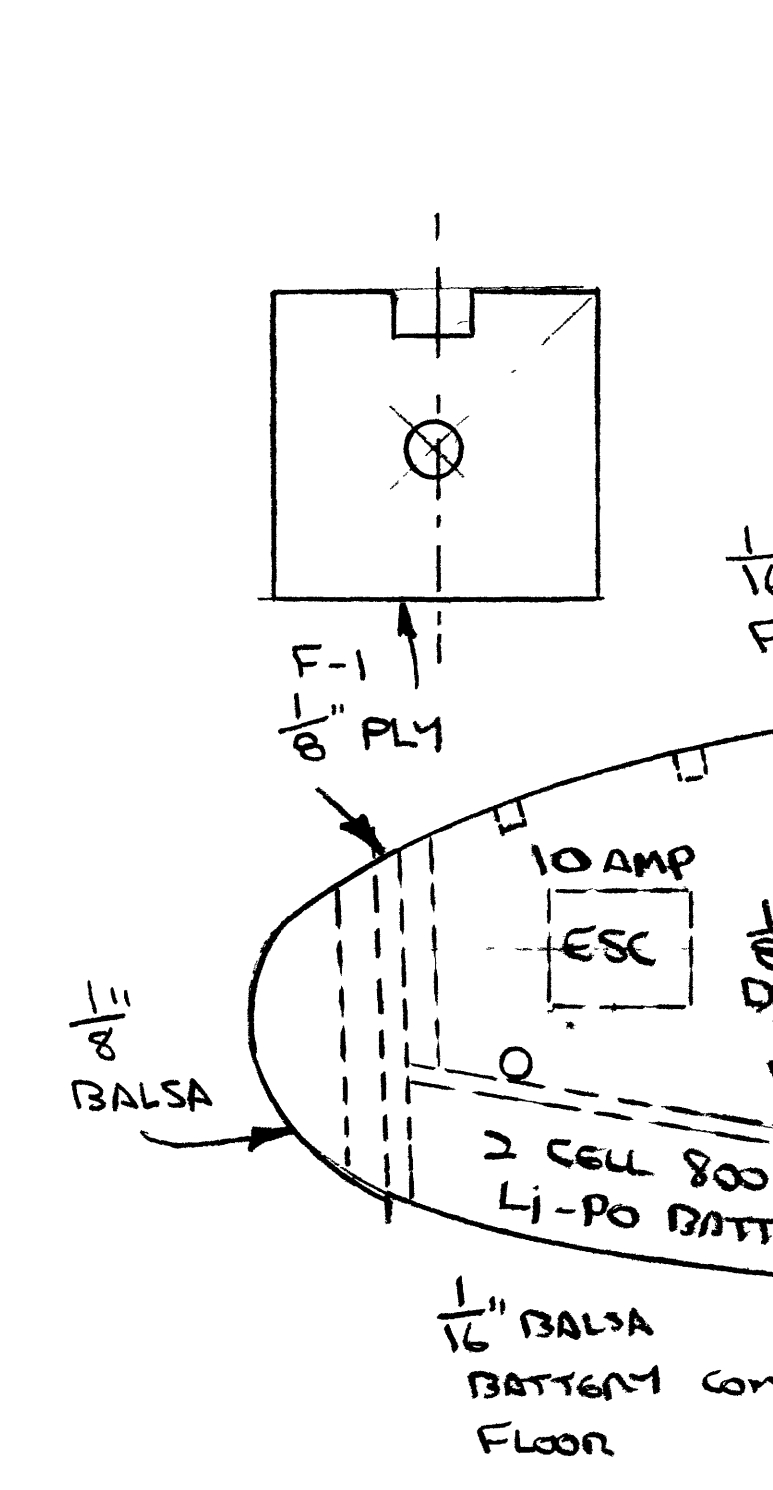
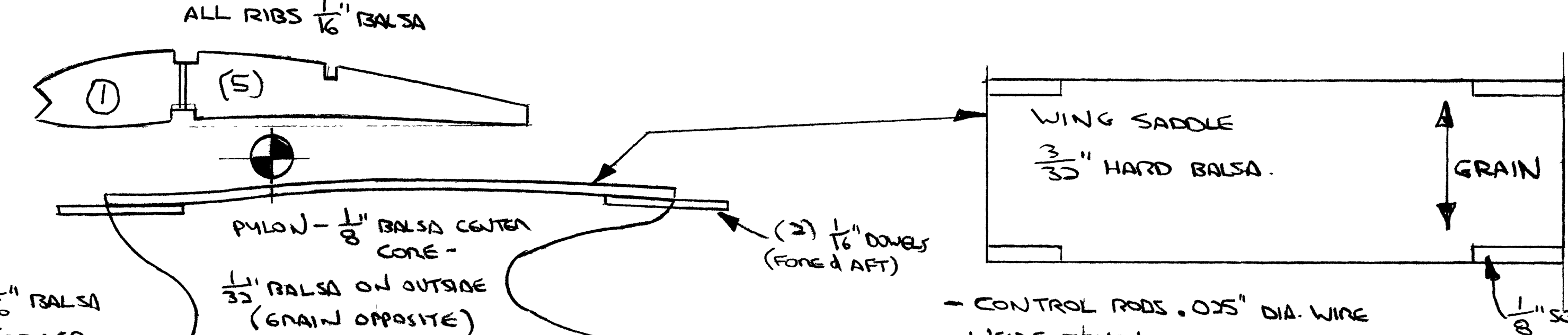
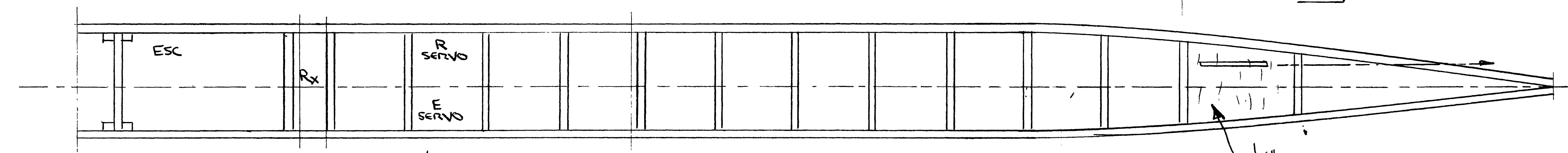
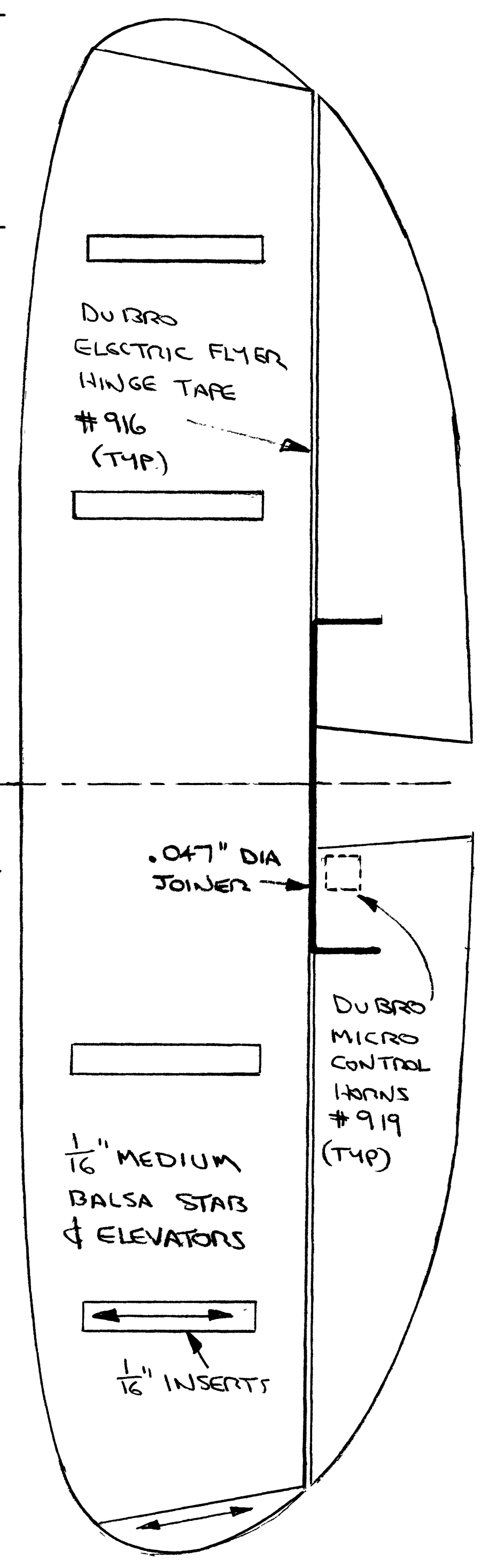
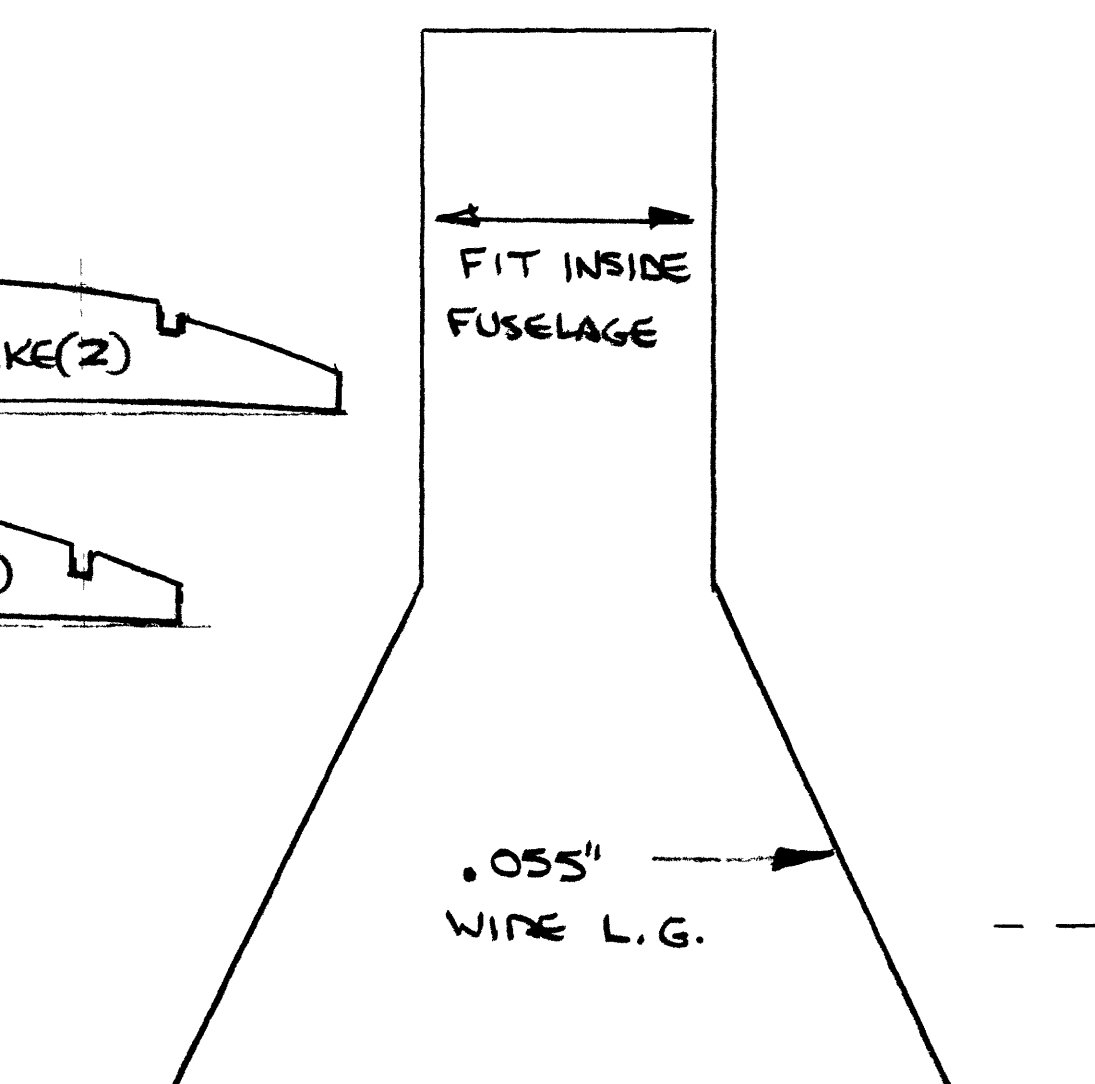
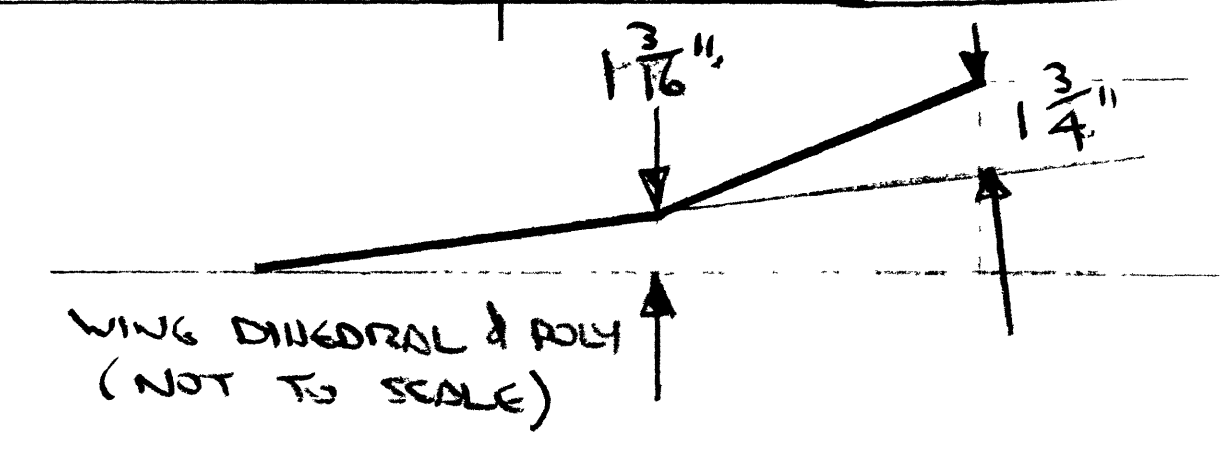
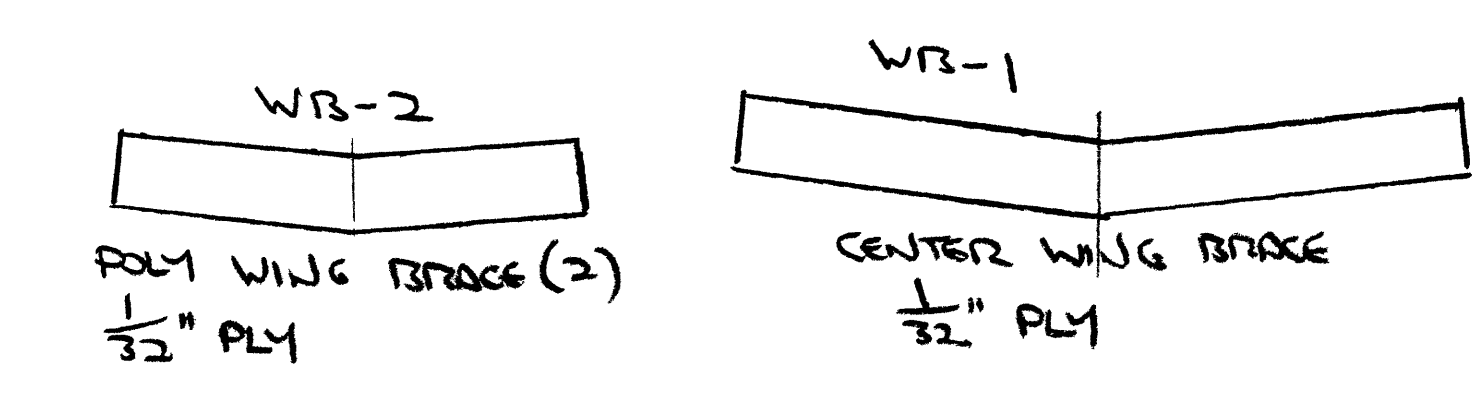
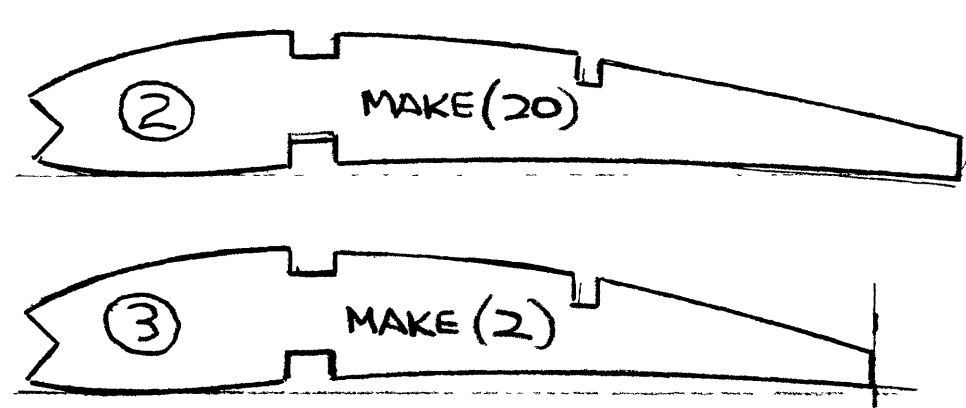
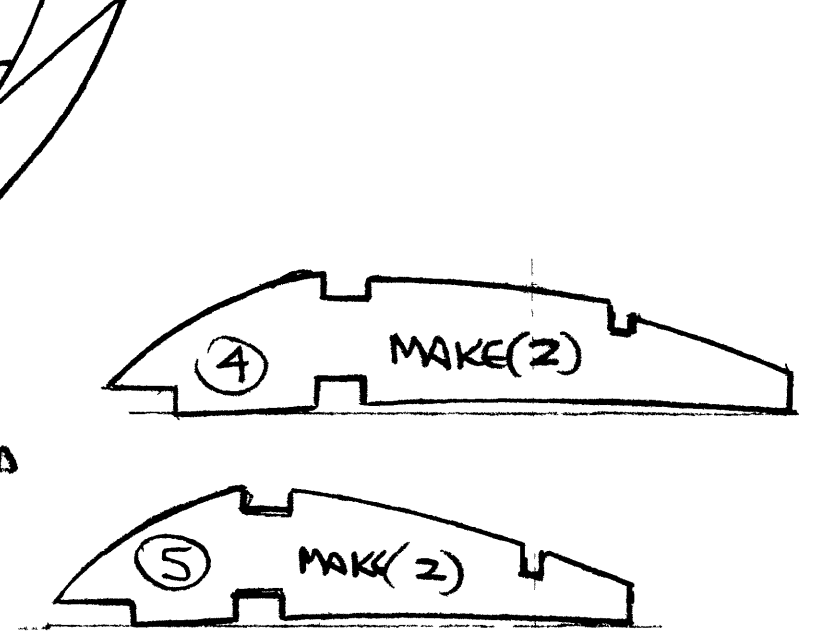


ARCHIVE #003625  
 COOPERATIVE PLANS SERVICE  
 www.co-op-plans.com  
 COPYRIGHT 2015 - NOT FOR RESALE  
 PLEASE DO NOT POST ON THE INTERNET  
 CLICK HERE FOR INFO & FREE PLAN LIST



INNOVATIVE DESIGN  
 COBRA C-2202/70  
 BRUSHLESS MOTOR  
 KV=1531  
 APC 7x5E PROP

CONSTRUCTION ARTICLE IN  
 RCMW-FSP MAY 2015  
 www.fullsizeplans.com  
 CLICK HERE TO GO TO WEBSITE

SWAYBACK			
ORIGINALLY DESIGNED BY CHET LANZO 1947 AIRTRAILS		REDUCED IN SIZE 1	
CONVERTED TO ELECTRIC POWER & RC BY BOB ADERLE 2015		WING SPAN 40"	
AREA - 200 SQ IN.	POWER INPUT 38 WATTS	TOTAL WEIGHT 9.1 OZ	
0	1	2	3
4	5	6	