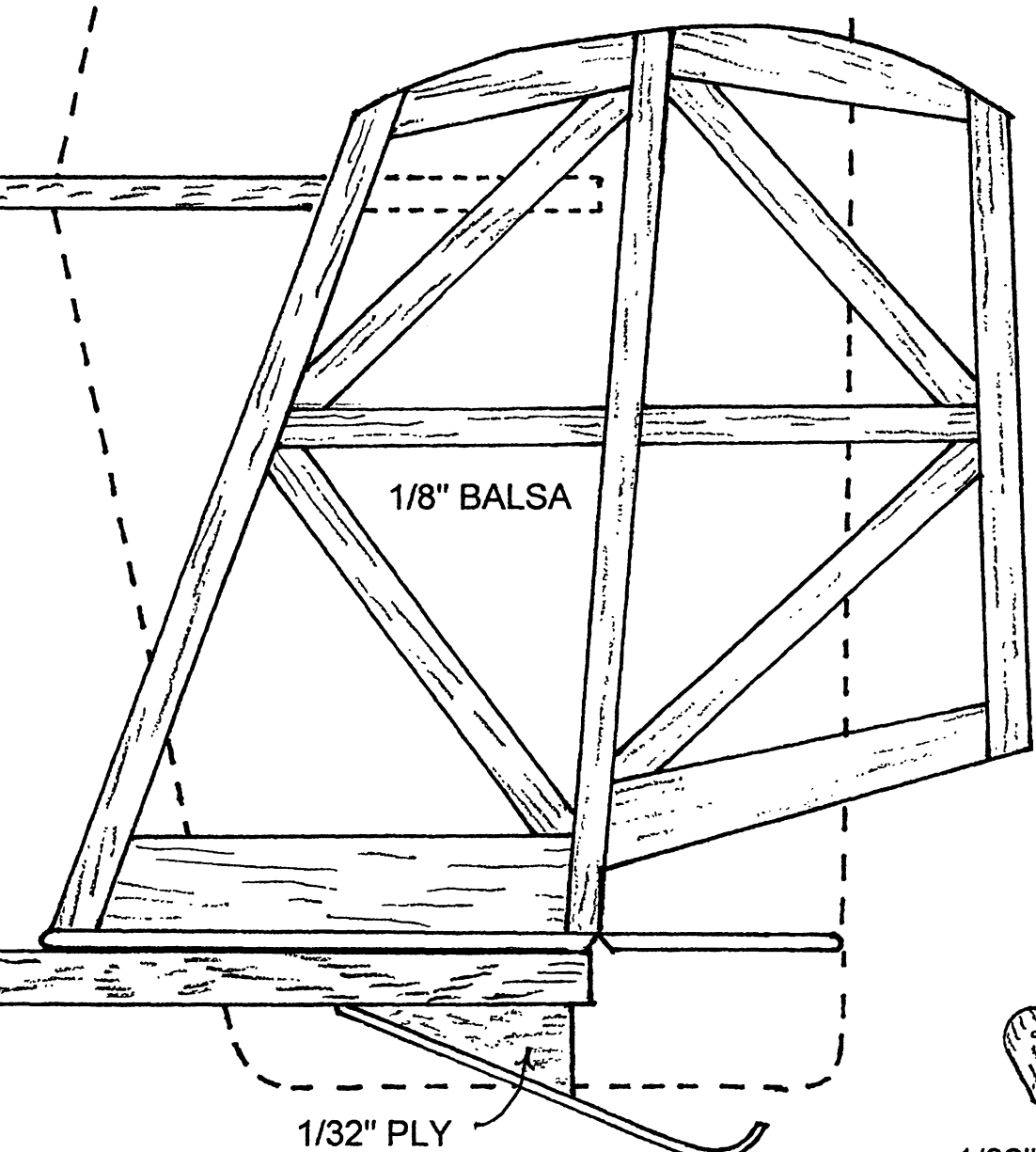


GWS PICO STIK FUSELAGE



QUIRK ^e

ELECTRIC PARK FLYER 24" 200SQ IN
DESIGNED AND DRAWN TOM BINKLEY 12-2011

BALANCE 3" BEHIND LEADING EDGE

2 CELL 500 TO 610 LIPOLY BATTERY
ATTACH WITH VELCRO

6g ELEVATOR SERVO

2204-14T 19g BRUSHLESS MOTOR

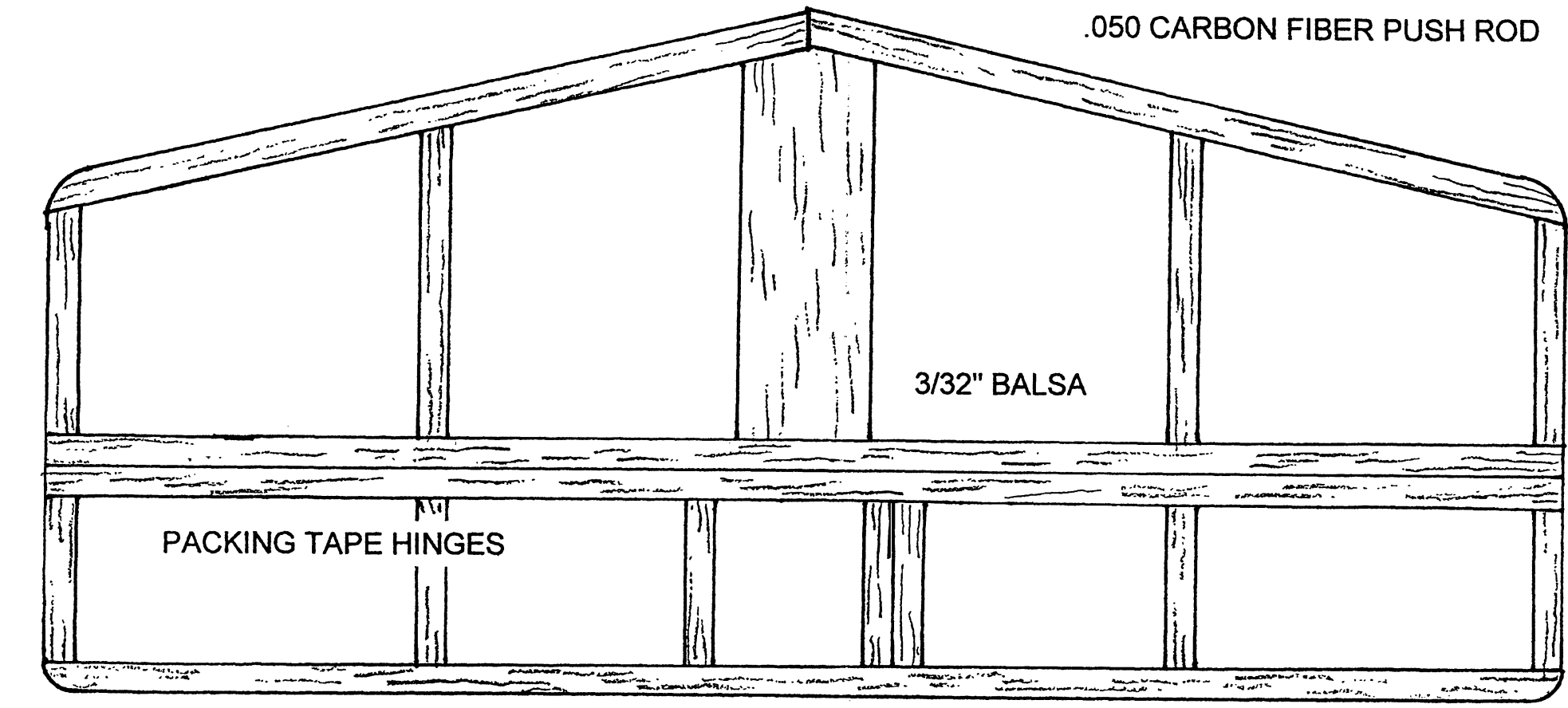
Balsa SHIM

THREAD AND EPOXY

.062 MUSIC WIRE

2 1/2" GWS PICO STIK WHEELS

.050 CARBON FIBER PUSH ROD



1/32" PLY

.032 WIRE TAIL SKID

1/32" PLY CONTROL HORN

ARCHIVE #003208
COOPERATIVE PLANS SERVICE
www.co-op-plans.com
(C)2012 - Not for resale

PUBLISHED IN RCMW-FSP AUGUST 2012