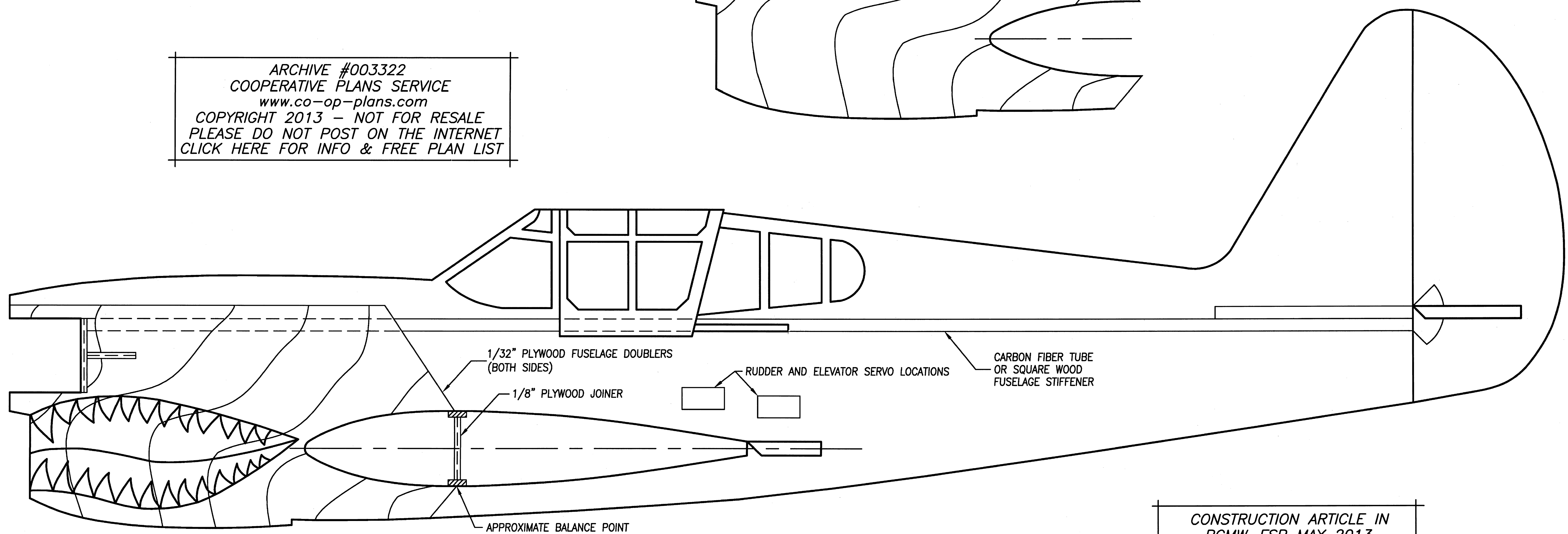
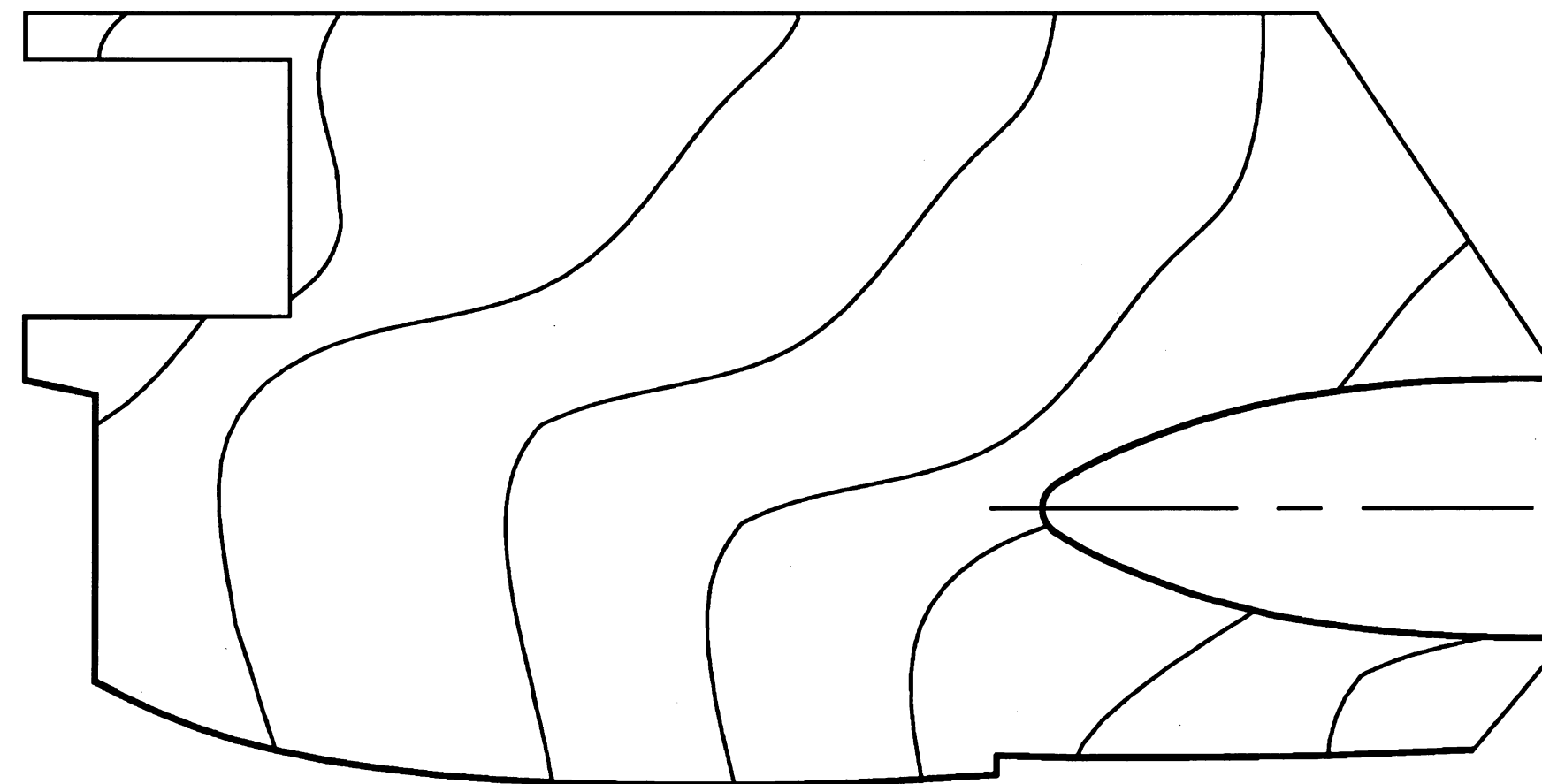


ARCHIVE #003322
 COOPERATIVE PLANS SERVICE
 www.co-op-plans.com
 COPYRIGHT 2013 - NOT FOR RESALE
 PLEASE DO NOT POST ON THE INTERNET
 CLICK HERE FOR INFO & FREE PLAN LIST



CONSTRUCTION ARTICLE IN
 RCMW-FSP MAY 2013
 www.fullsizeplans.com
 CLICK HERE TO GO TO WEBSITE

FOAM WING CORES AVAILABLE FROM:

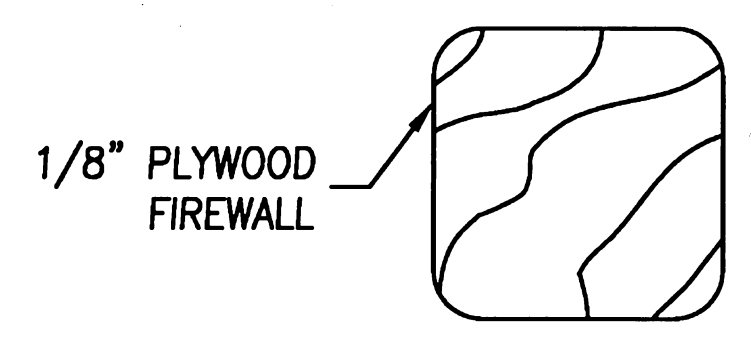
THE CORE HOUSE
 34 SWEET ARROW DRIVE
 HUMMELSTOWN, PA, USA 17036
 717-566-3810
 philcartier@earthlink.net

OR

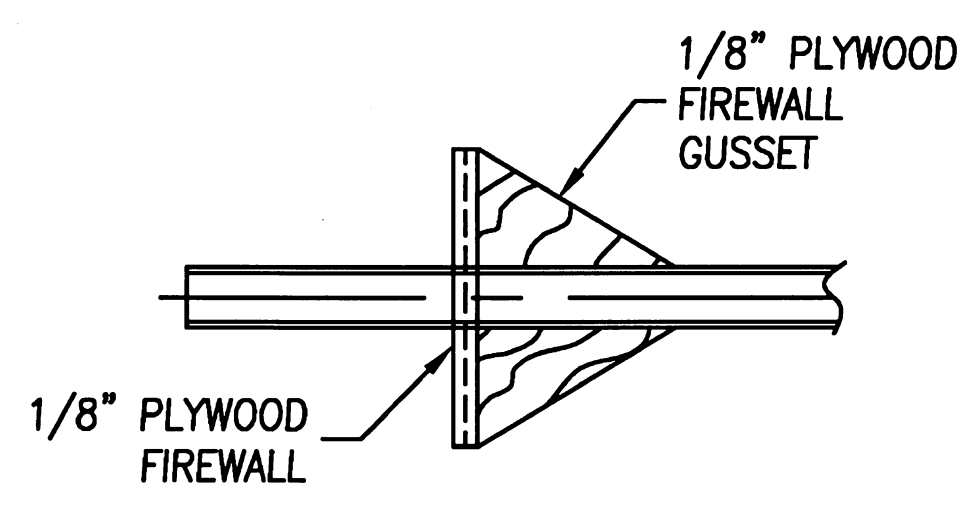
ROBIN'S VIEW PRODUCTIONS
 PO BOX 68
 STOCKERTOWN, PA, USA 18083
 610-746-0106
 robinhunt@ren.com

FUSELAGE, AILERONS, AND TAIL SURFACES MADE OF 5MM:

- BALSA PRODUCTS FOAM
- OR - INSULATION FOAM
- OR - DEPRON
- OR - MIDWEST CELLFOAM 88

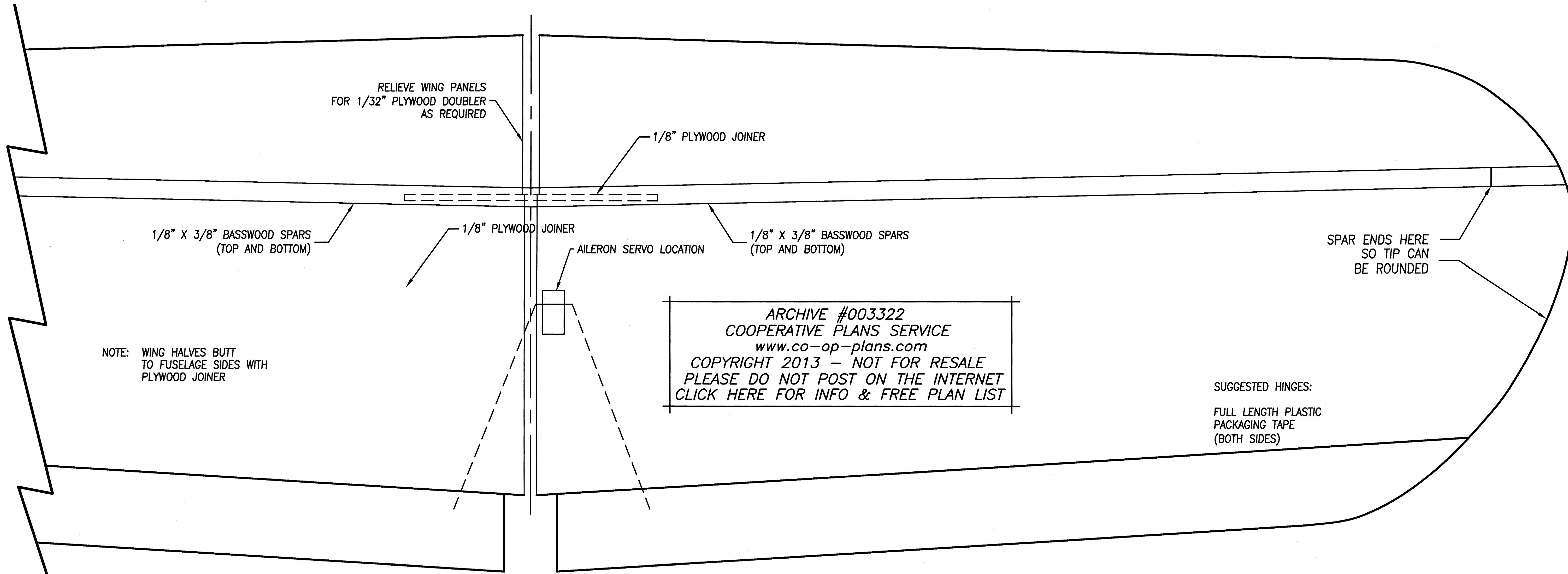


MOTOR MOUNT TOP VIEW



RC MICRO WORLD & FULL SIZE PLANS
 P-40 WARHAWK
 ELECTRIC POWERED FUNSPORT R/C

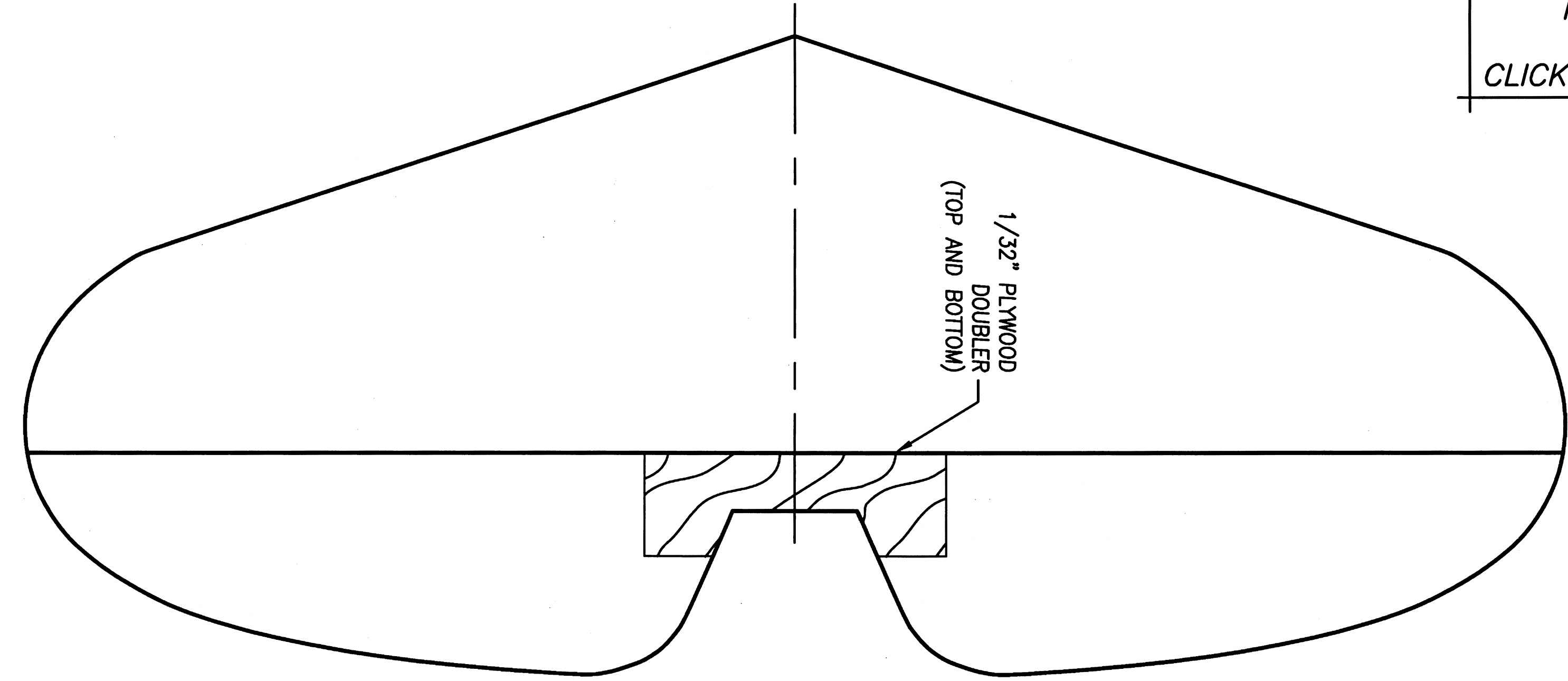
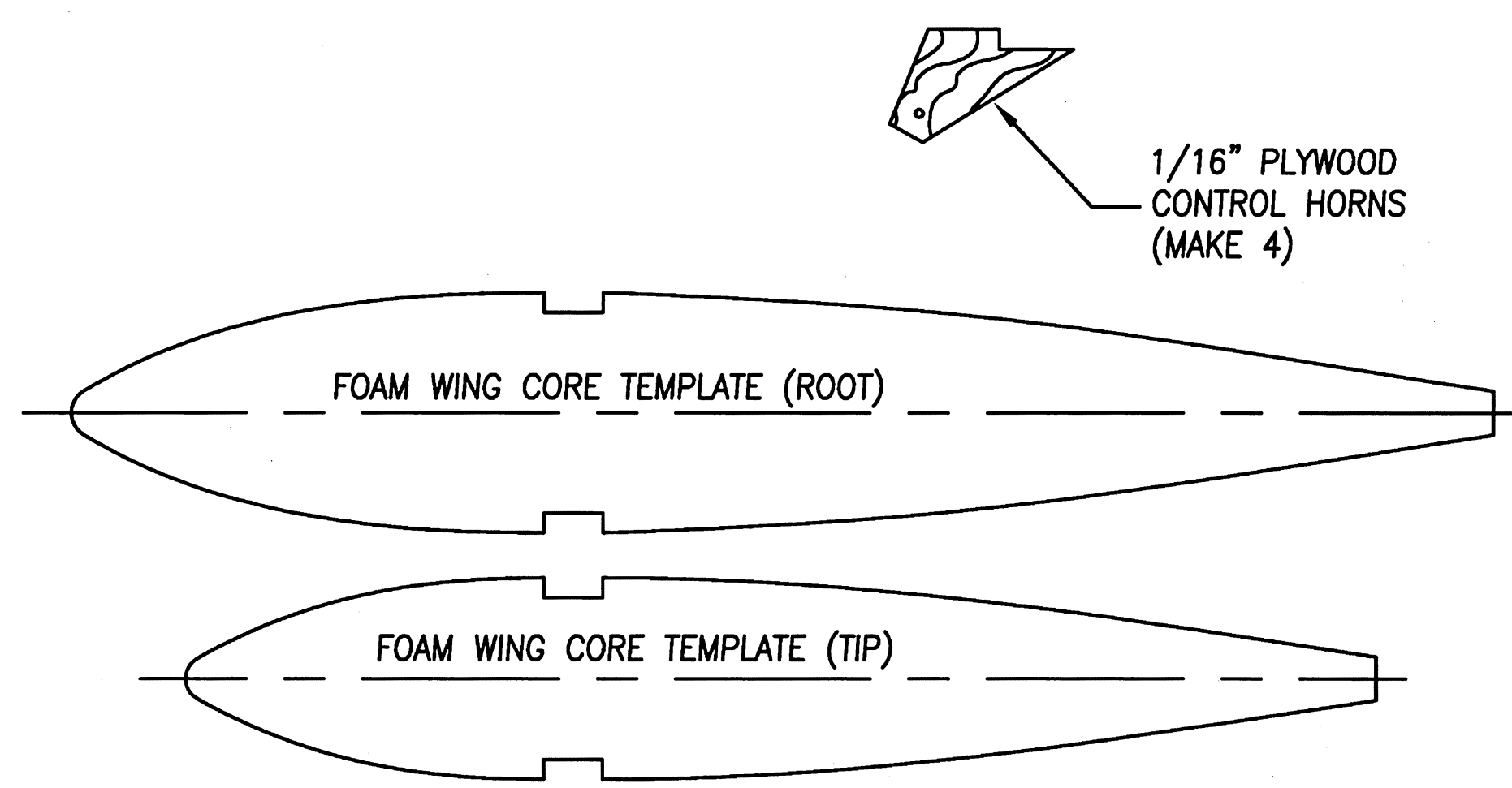
WING SPAN: 42.0"
 LENGTH: 32"
 WING AREA APPROX: 375 SQI
 DESIGNED BY: DICK SARPOLUS
 CAD BY: BOB KRUGER
 REVISION 1.01e 20 MAR 2013 SHEET 1 OF 2



ARCHIVE #003322
 COOPERATIVE PLANS SERVICE
www.co-op-plans.com
 COPYRIGHT 2013 - NOT FOR RESALE
 PLEASE DO NOT POST ON THE INTERNET
 CLICK HERE FOR INFO & FREE PLAN LIST

SUGGESTED HINGES:
 FULL LENGTH PLASTIC PACKAGING TAPE (BOTH SIDES)

CONSTRUCTION ARTICLE IN
 RCMW-FSP MAY 2013
www.fullsizeplans.com
 CLICK HERE TO GO TO WEBSITE



RC MICRO WORLD & FULL SIZE PLANS
 P-40 WARHAWK
 ELECTRIC POWERED FUNSPORT R/C

WING SPAN: 42.0"
 LENGTH: 32"
 WING AREA APPROX: 375 SQI
 DESIGNED BY: DICK SARPOLUS
 CAD BY: BOB KRUGER
 REVISION 1.01e 20 MAR 2013 SHEET 2 OF 2