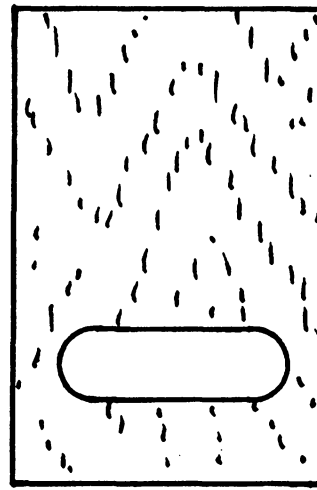
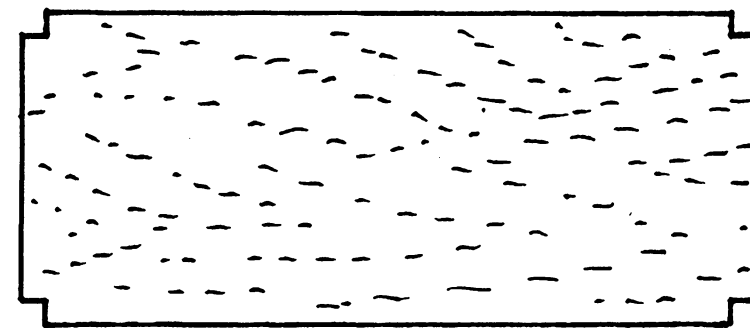


1/32" PLY FIREWALL



1/32" PLY BATTERY TRAY



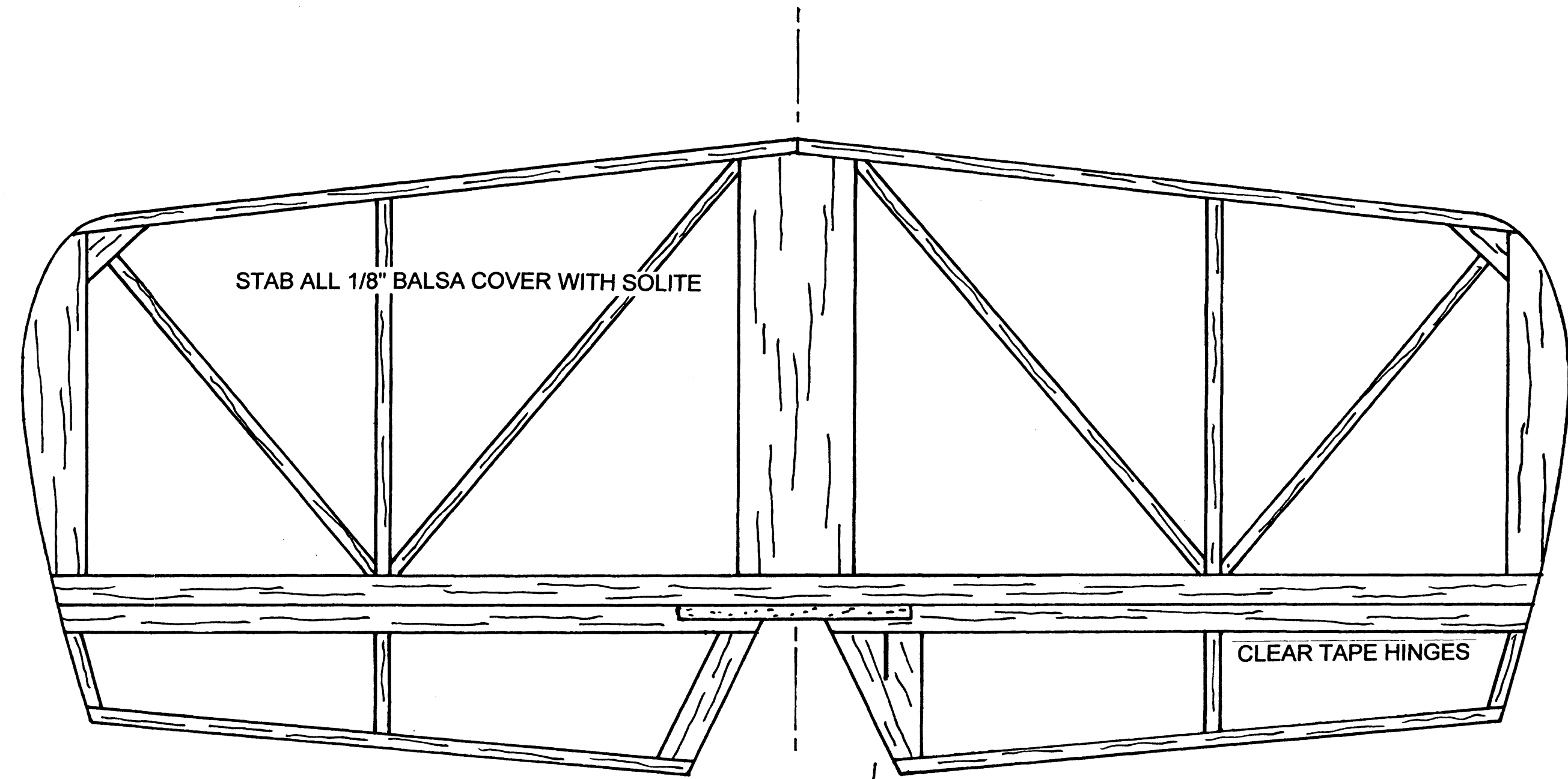
SECTION A-A



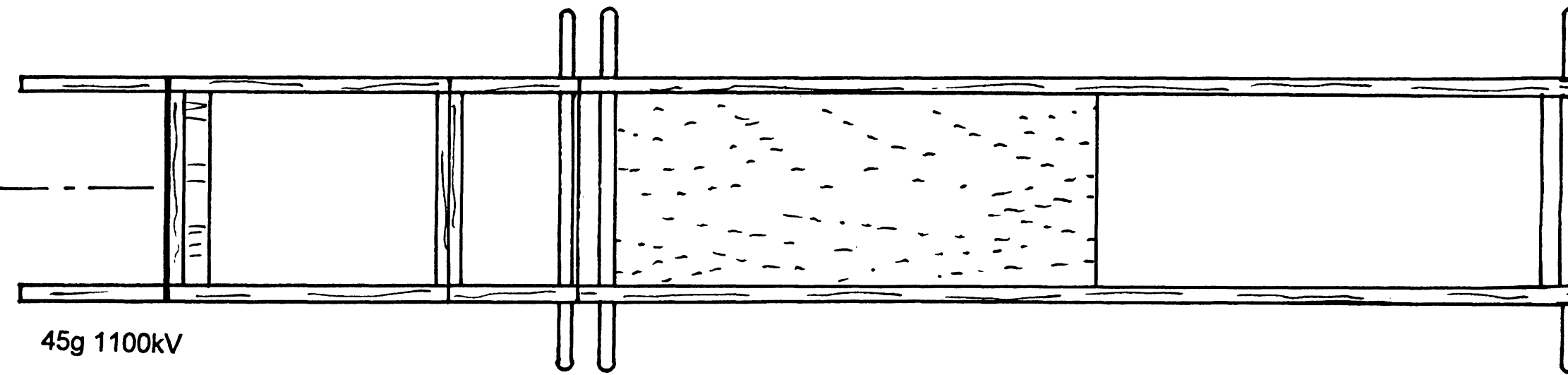
SECTION B-B



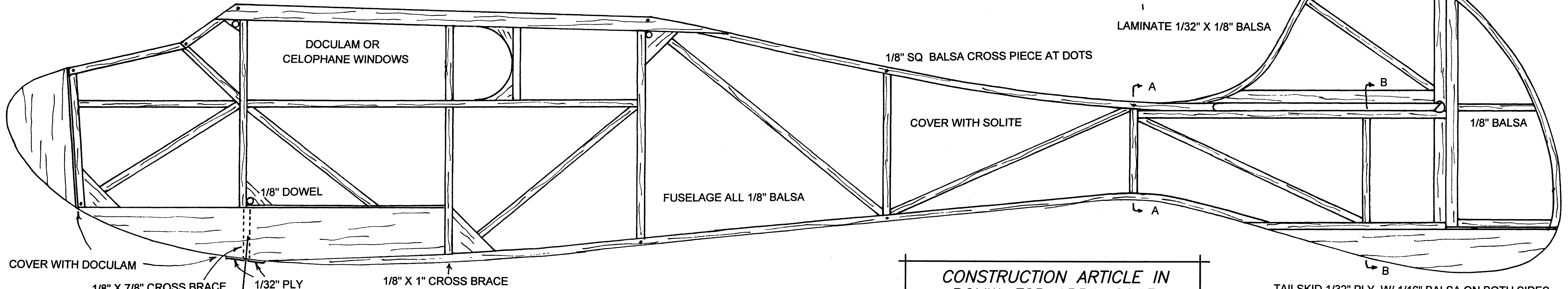
ARCHIVE #003292
COOPERATIVE PLANS SERVICE
www.co-op-plans.com
COPYRIGHT 2012 - NOT FOR RESALE
PLEASE DO NOT POST ON THE INTERNET
CLICK HERE FOR INFO & FREE PLAN LIST



1/8" DOWELS



45g 1100kv
BRUSHLESS MOTOR

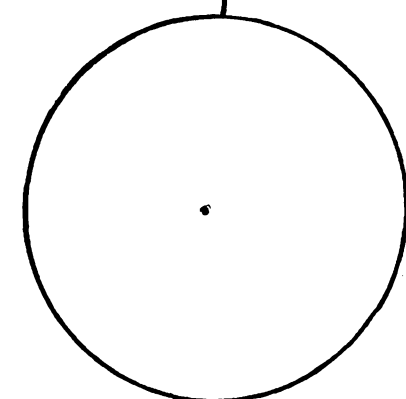


COVER WITH DOCULAM

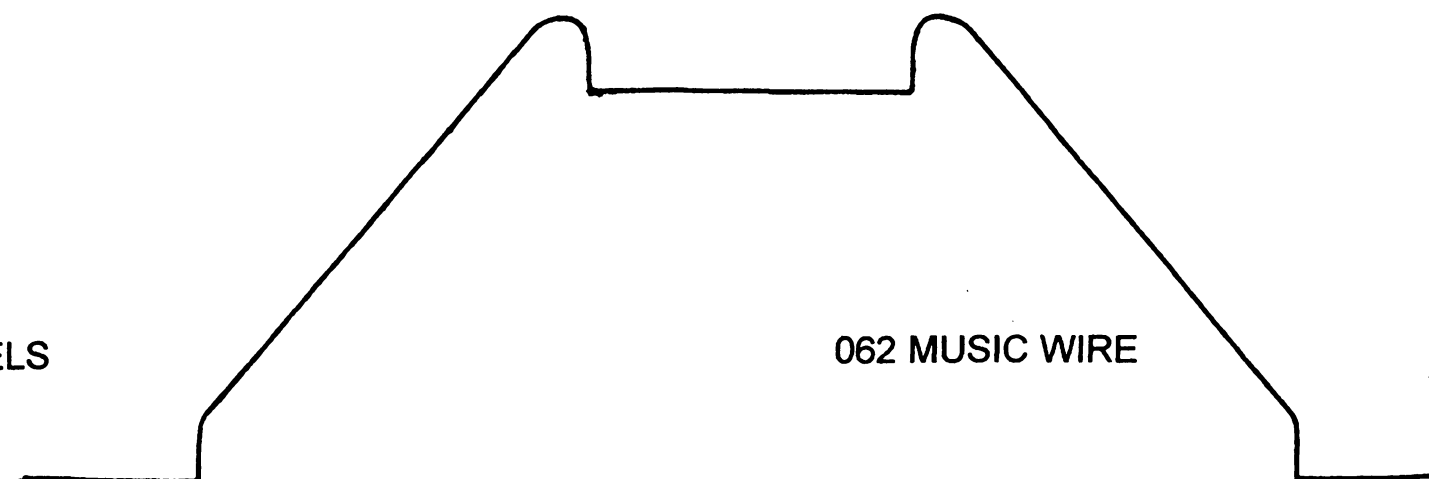
1/8" X 7/8" CROSS BRACE

1/32" PLY

1/8" X 1" CROSS BRACE



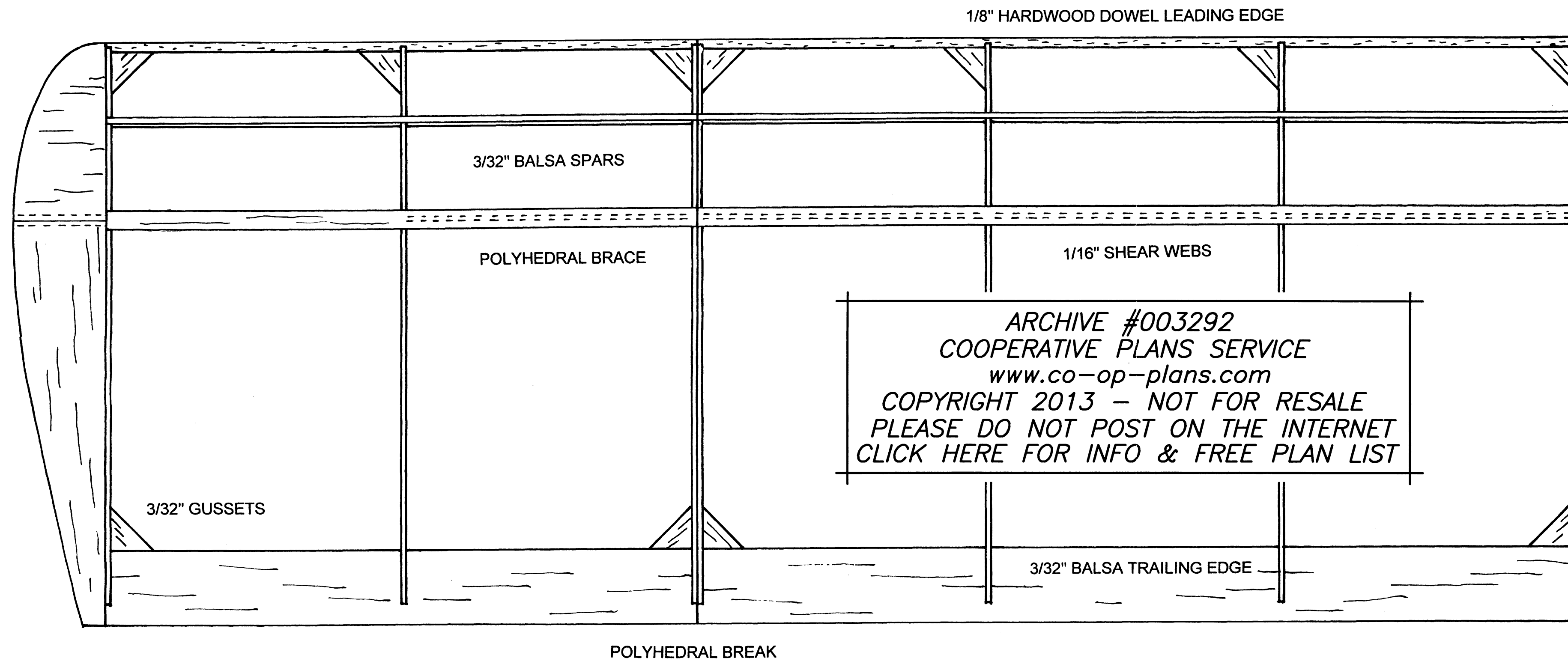
2" LIGHT WHEELS



062 MUSIC WIRE

CONSTRUCTION ARTICLE IN
RCMW-FSP APRIL 2013
www.fullsizeplans.com/
CLICK HERE TO GO TO WEBSITE

JUST RIGHT
FROM 11-1958 AMERICAN MODELER
DESIGNER UNKNOWN
ELECTRIC R/C CONVERSION BY
TOM BINKLEY 2013
38" SPAN 267 AREA 28 1/2" LONG



ARCHIVE #003292
 COOPERATIVE PLANS SERVICE
 www.co-op-plans.com
 COPYRIGHT 2013 - NOT FOR RESALE
 PLEASE DO NOT POST ON THE INTERNET
 CLICK HERE FOR INFO & FREE PLAN LIST

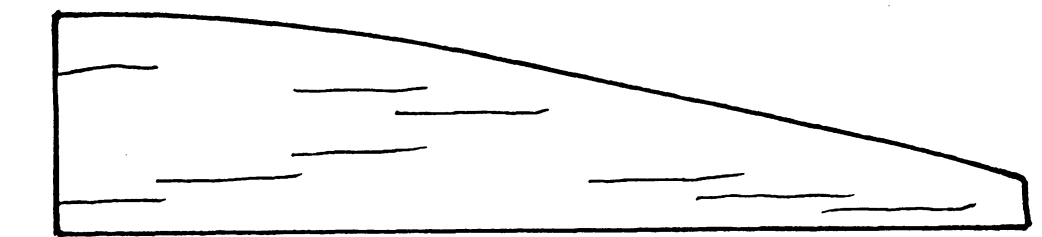
JUST RIGHT
 FROM 11-1958 AMERICAN MODELER
 DESIGNER UNKNOWN
 ELECTRIC R/C CONVERSION BY
 TOM BINKLEY 2013
 38" SPAN 267 AREA 28 1/2" LONG



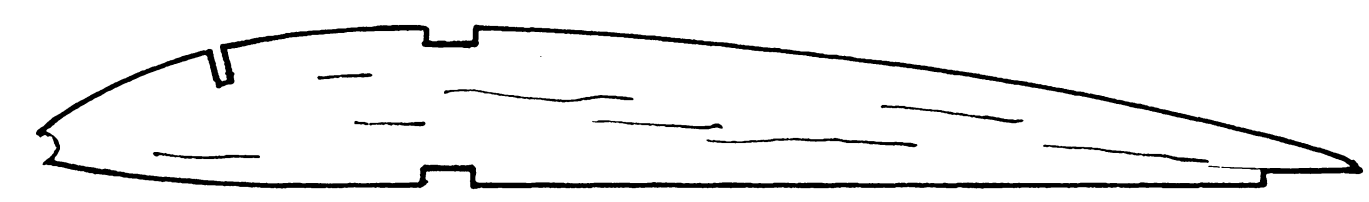
WING TIP FRONT 3/32" Balsa



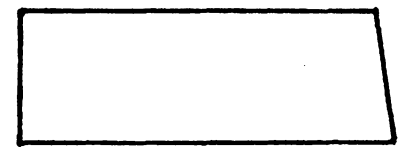
1/8" Balsa WING TIP GUSSET



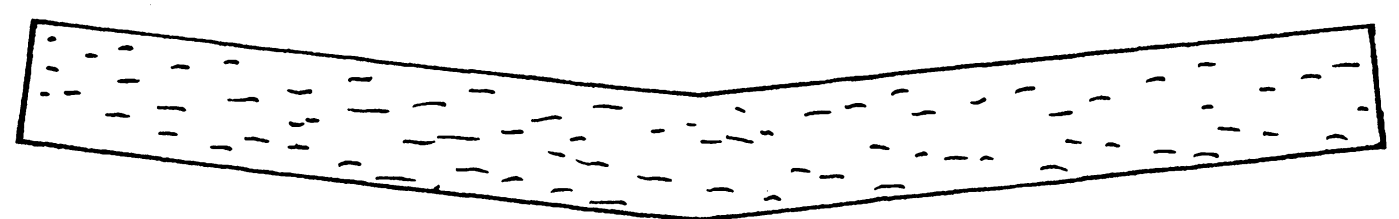
WING TIP REAR 3/32" Balsa



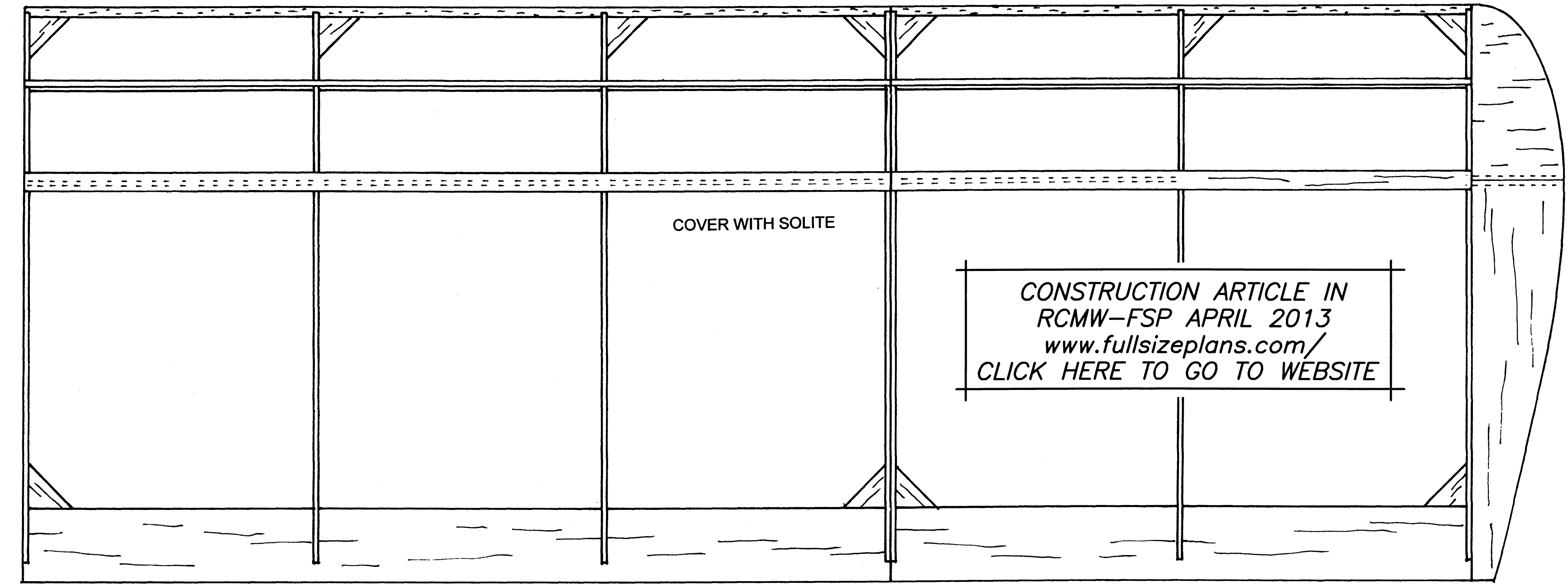
RIB 3/32" Balsa



SPAR END ANGLE



DIHEDRAL & POLYHEDRAL BRACES (3) 1/32" PLY



CONSTRUCTION ARTICLE IN
 RCMW-FSP APRIL 2013
 www.fullsizeplans.com/
 CLICK HERE TO GO TO WEBSITE