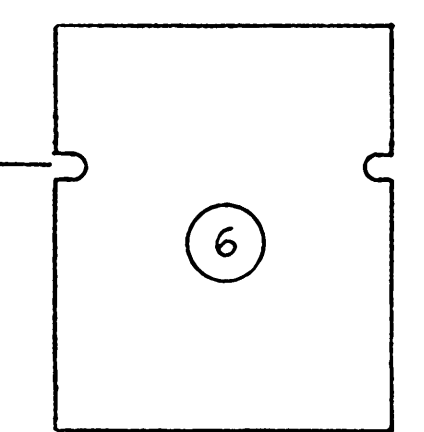
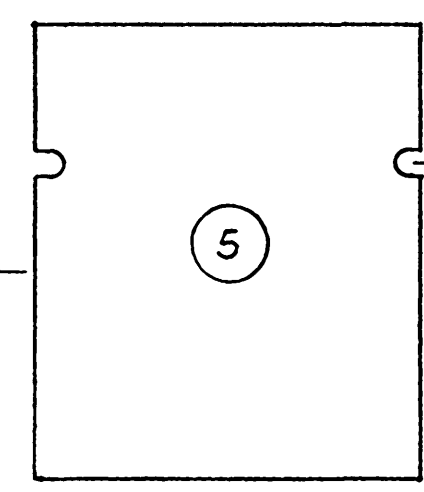
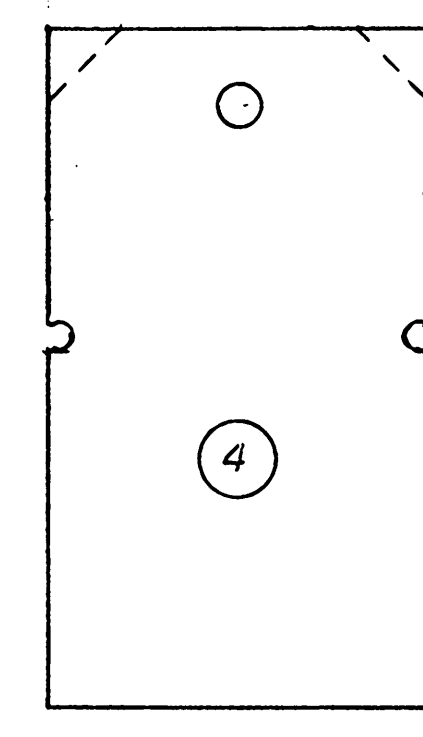
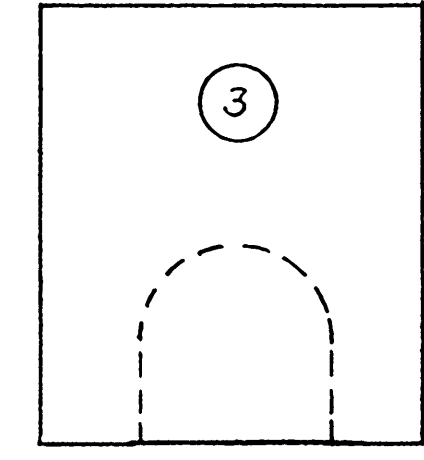
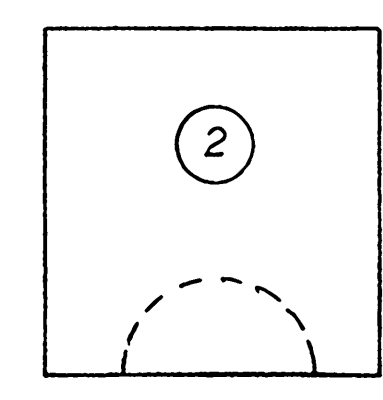
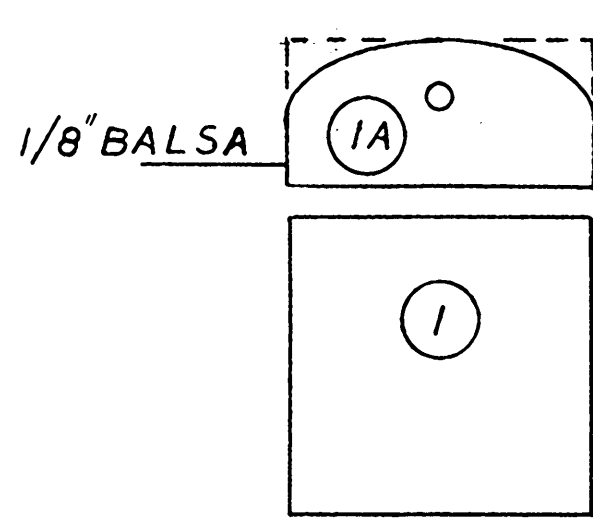
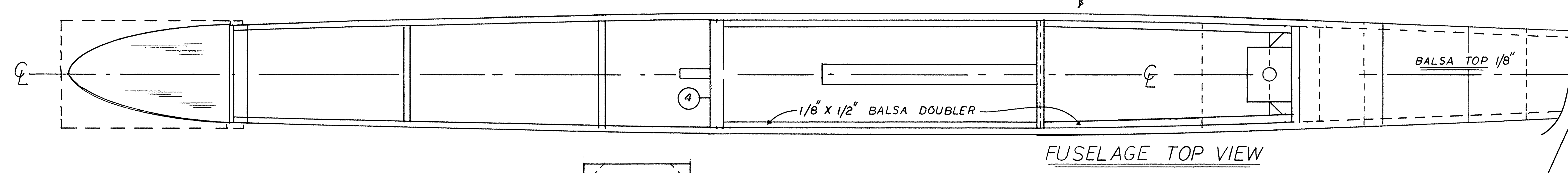
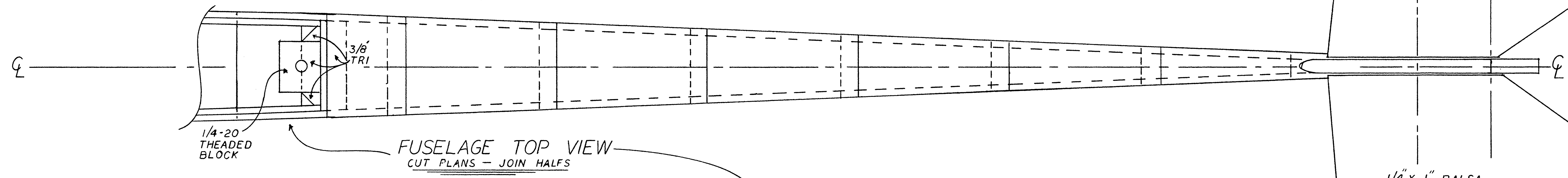
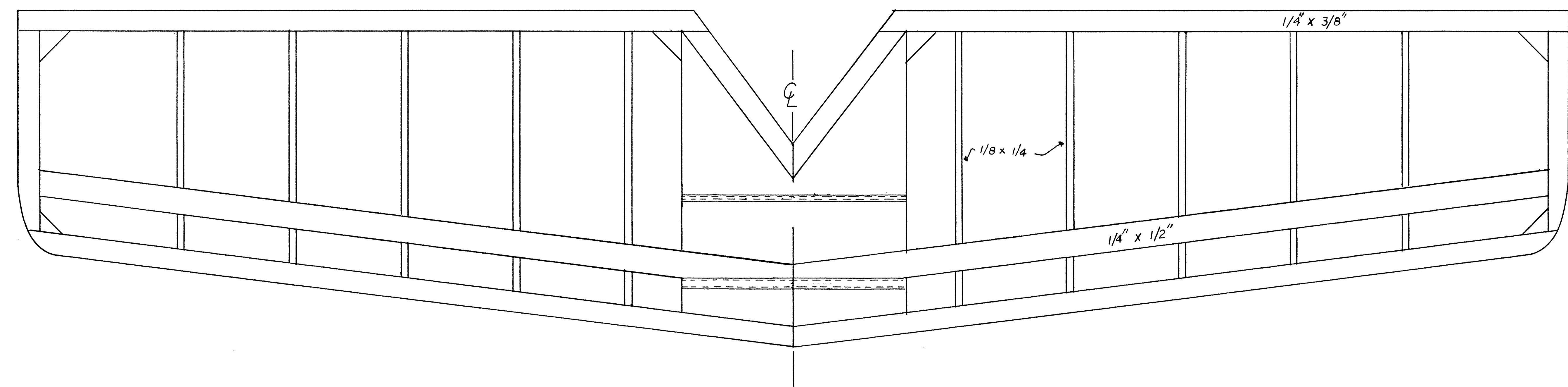


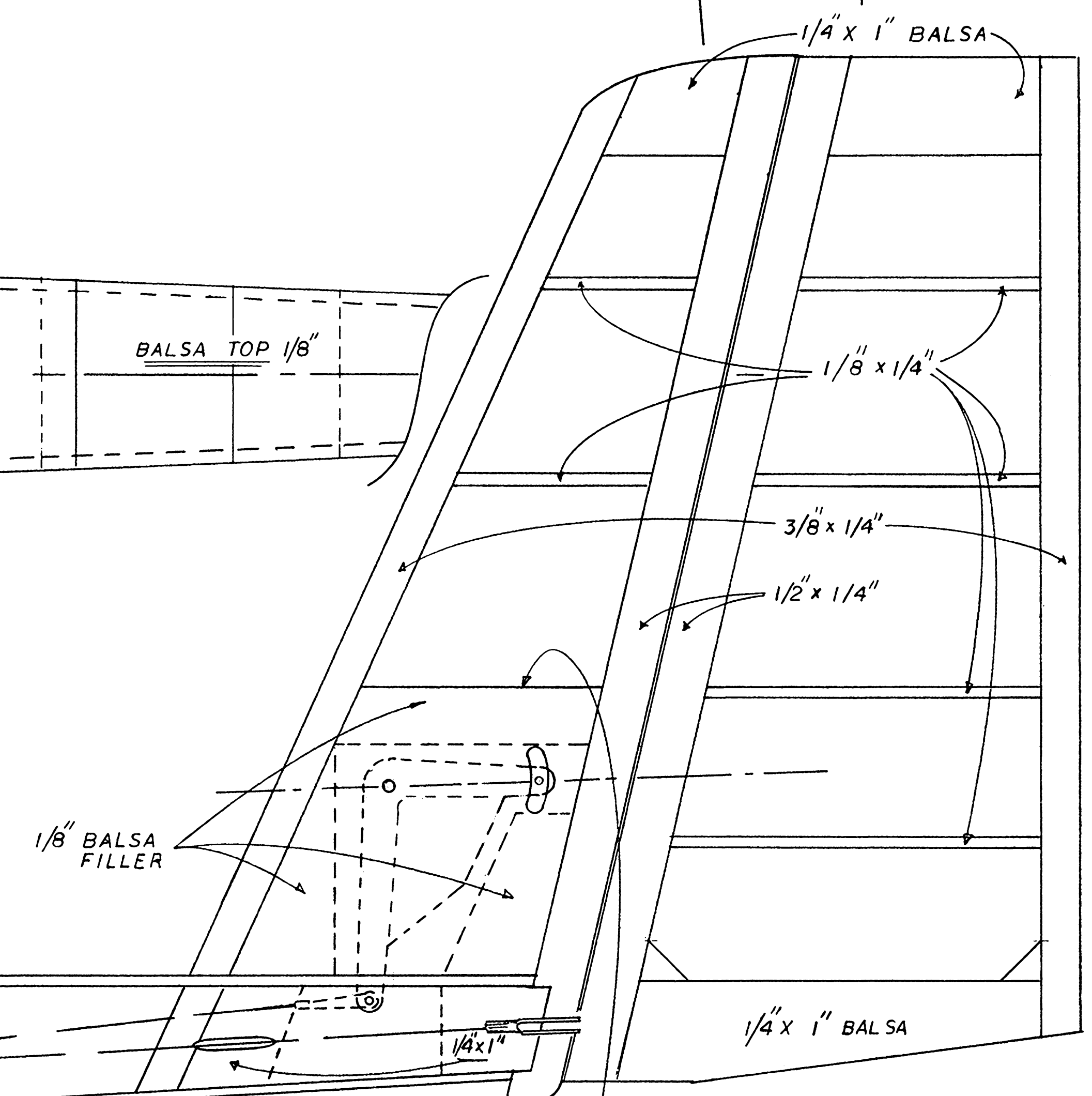
REVISIONS	BY

SULA BIRD
 CLUB SAILPLANE KIT
 JUST PLANE FUN MODELS
 PALM SPRINGS, CA 92262

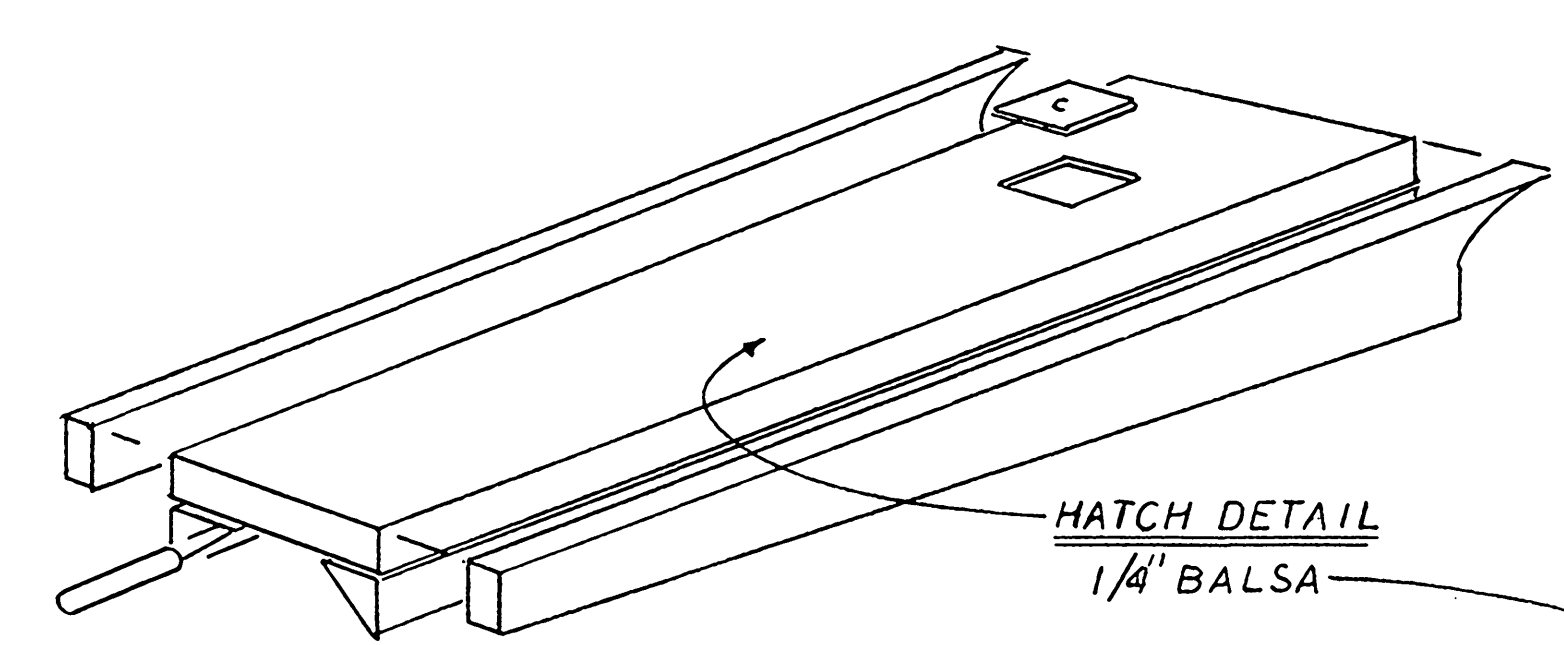


ALL BULKHEADS
1/8" PLY
EXCEPT #4
3/16" PLY

NOTCH AS SHOWN FOR
PUSHRODS

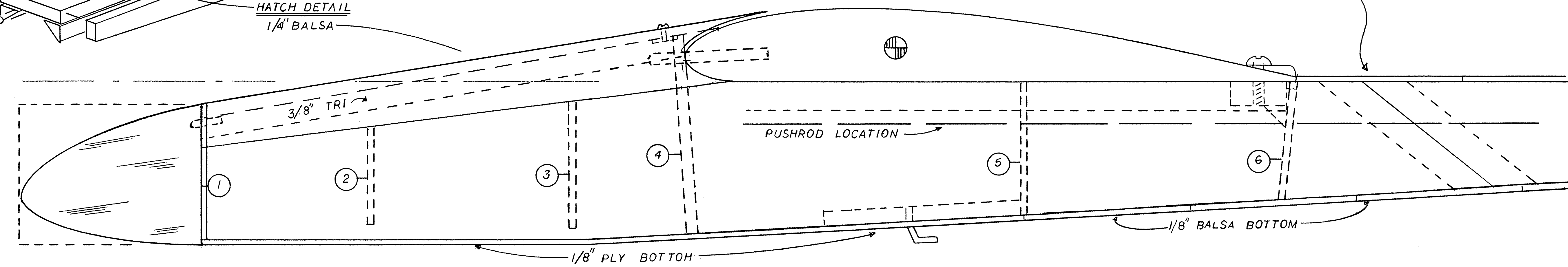


1/16" PLY BOTH
SIDES OF
HORN
2 SUPPLIED IN
KIT



PUSHROD LOCATION

NOTE: USE FUSE PLAN AS TEMPLATE FOR CUTTING SCARF JOINT

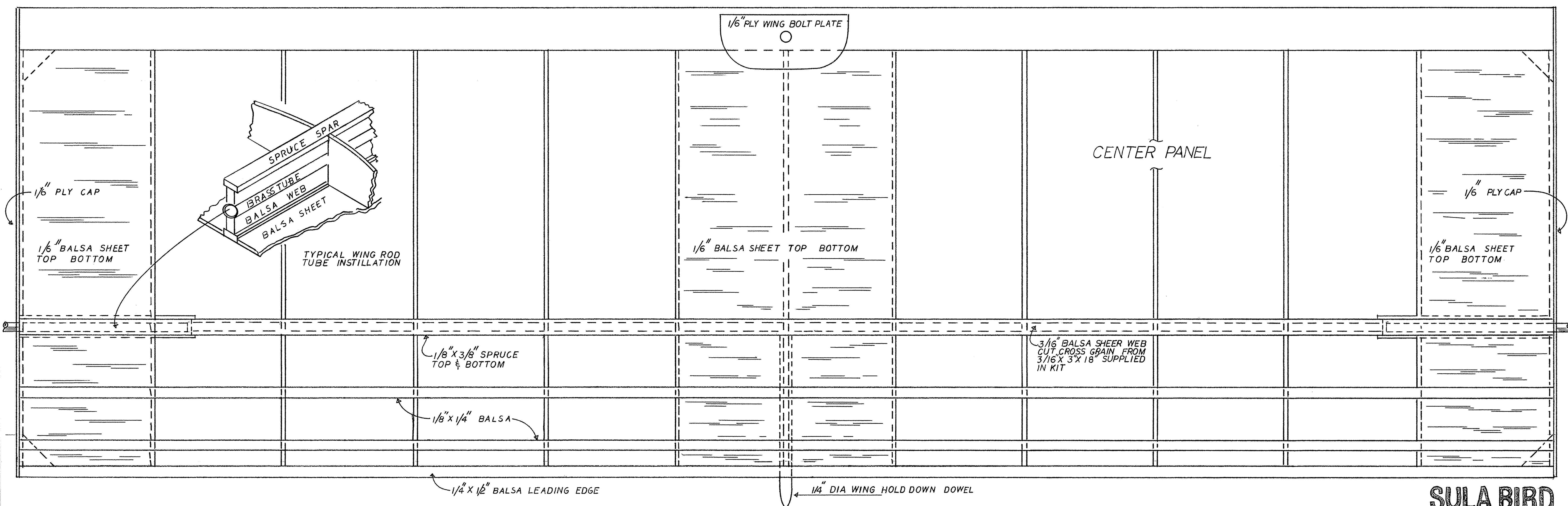
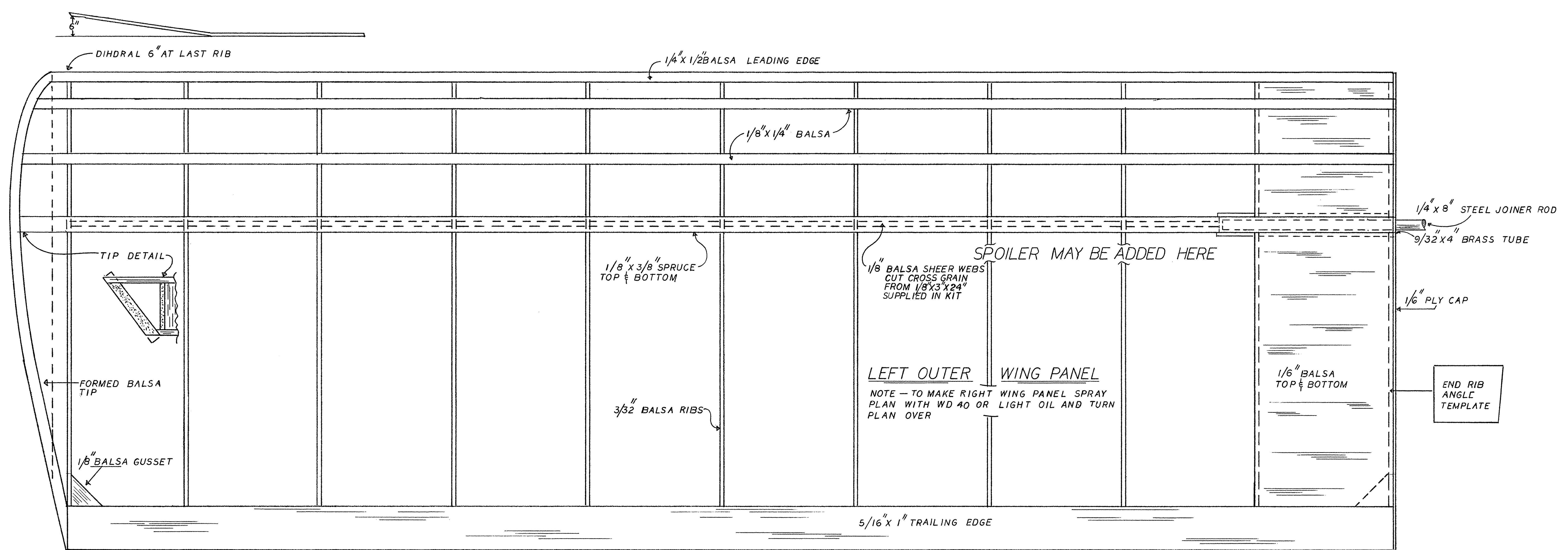


SULA BIRD
 CLUB SAILPLANE KIT
 JUST PLANE FUN MODELS
 PALM SPRINGS, CA 92262

DO NOT REPRODUCE WITHOUT PERMISSION © BWRCD

DRAWN	BW
CHECKED	
DATE	3-5-93R
SCALE	
JOB NO.	
SHEET	1
OF	SHEETS

REVISIONS	BY



SULA BIRD
 CLUB SAILPLANE KIT
 JUST PLANE FUN MODELS
 PALM SPRINGS, CA 92262

SULA BIRD
 CLUB SAILPLANE KIT
 JUST PLANE FUN MODELS
 PALM SPRINGS, CA 92262
 BY-BWRCD 1993

DRAWN	TSW
CHECKED	
DATE	4-28-93
SCALE	A5-15
ISS. NO.	1993-2
SHEET	2
OF SHEETS	16