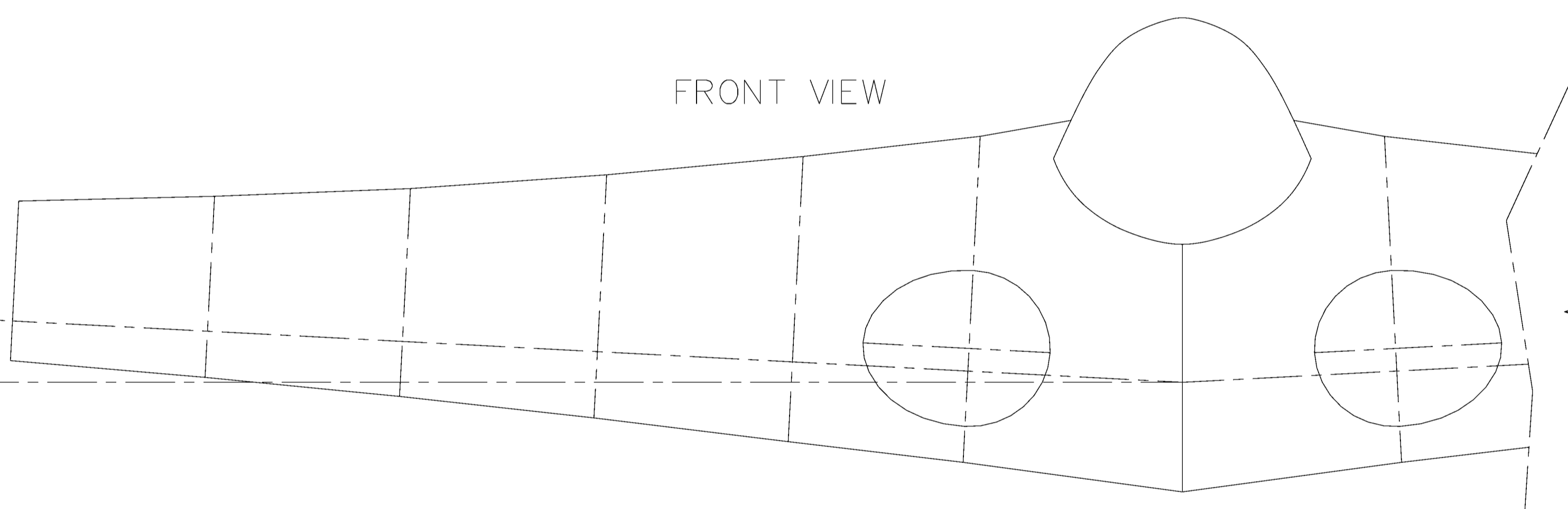
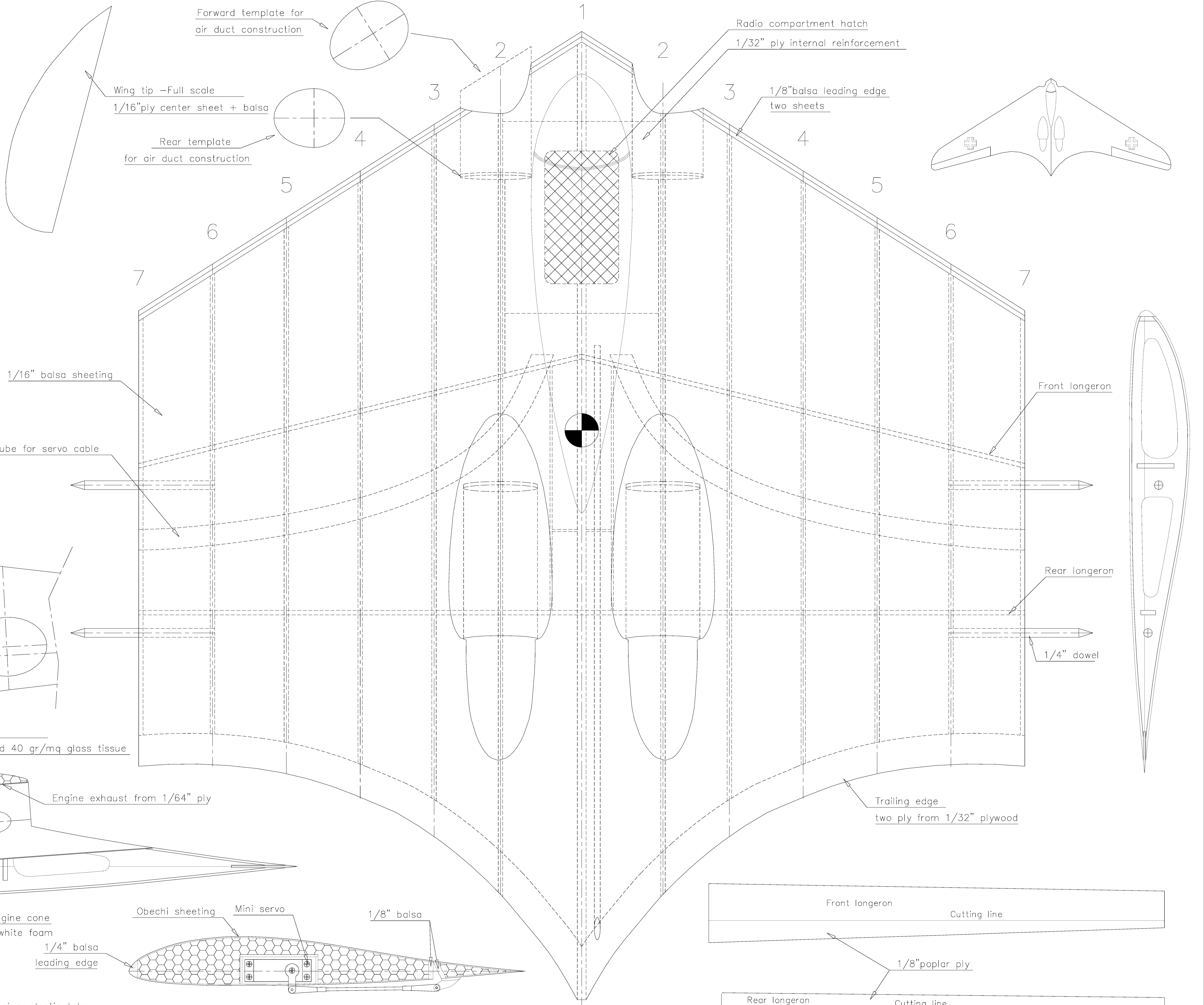


OUTER WING PANEL

Scale 1:2



FRONT VIEW



Forward template for air duct construction

Wing tip - Full scale  
1/16" ply center sheet + balsa

Rear template for air duct construction

Radio compartment hatch  
1/32" ply internal reinforcement

1/8" balsa leading edge  
two sheets

1/16" balsa sheeting

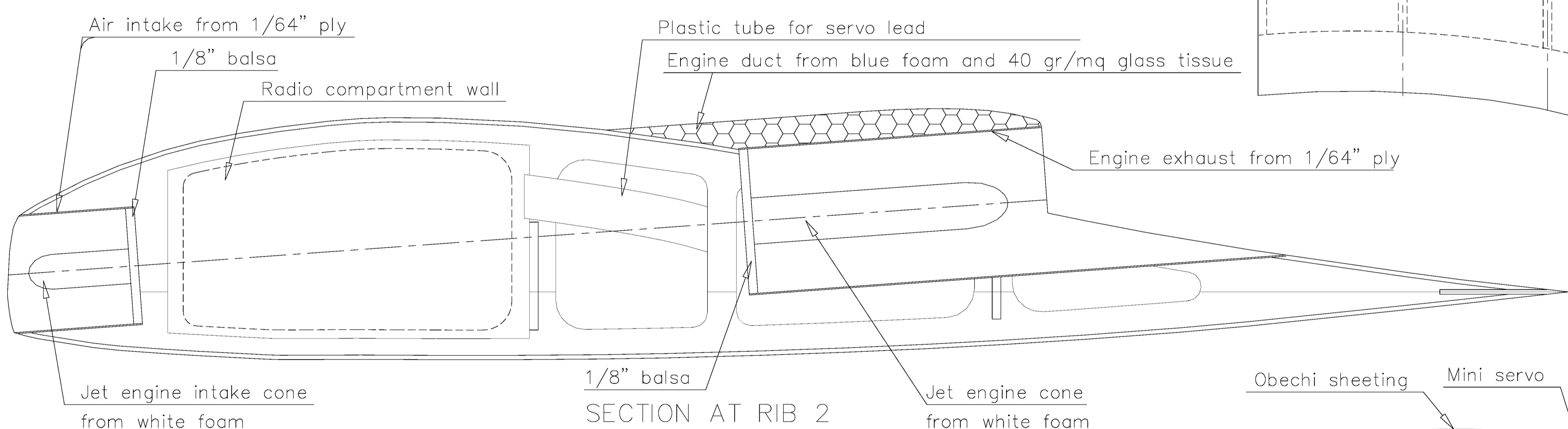
Plastic tube for servo cable

Front longeron

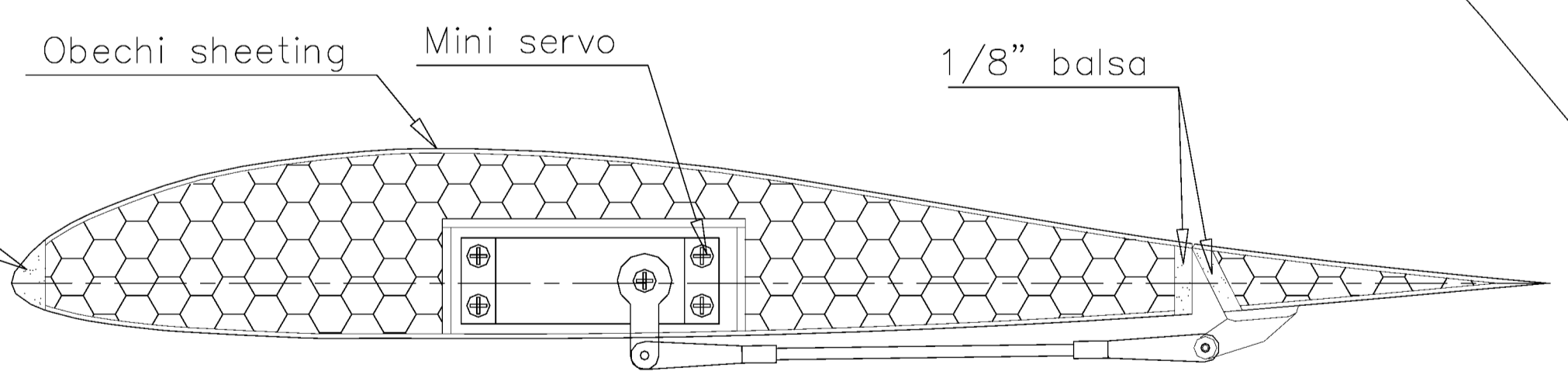
Rear longeron

1/4" dowel

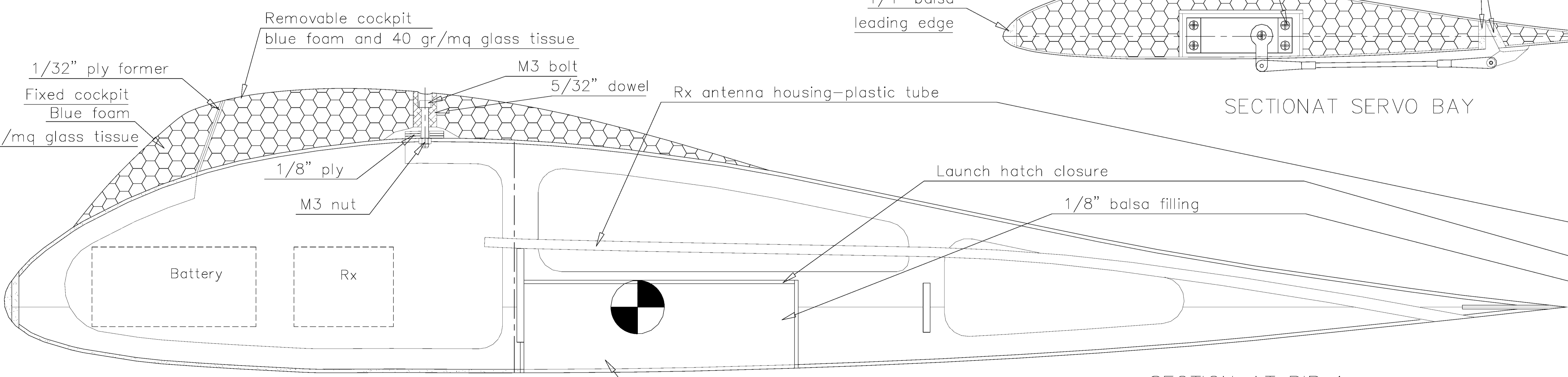
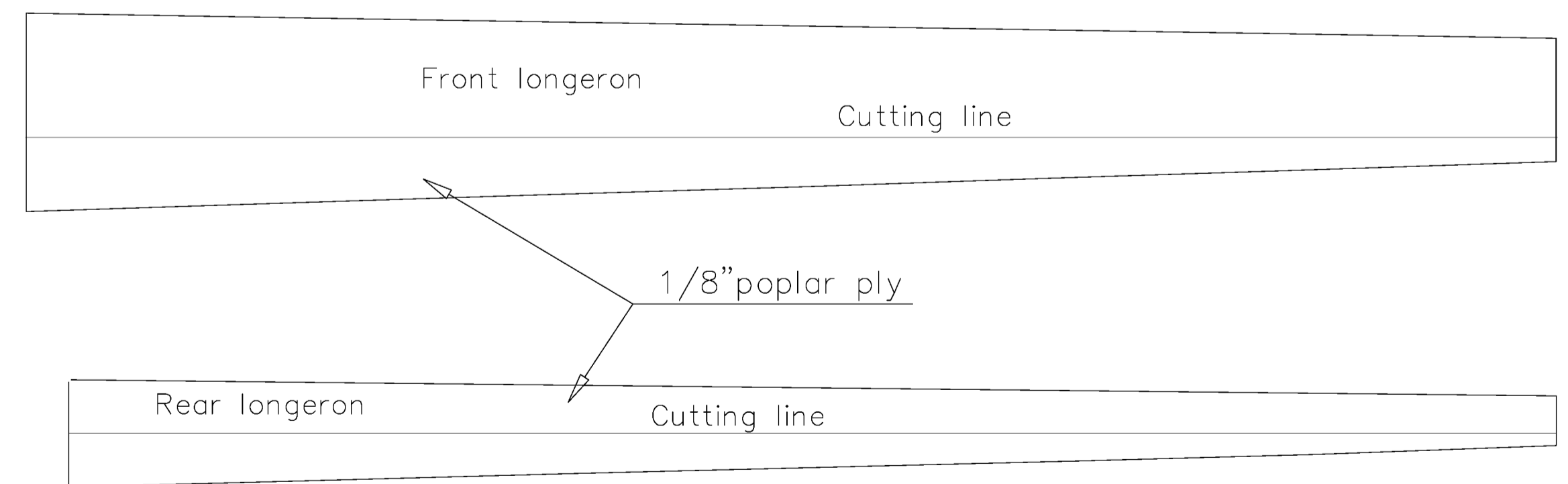
Trailing edge  
two ply from 1/32" plywood



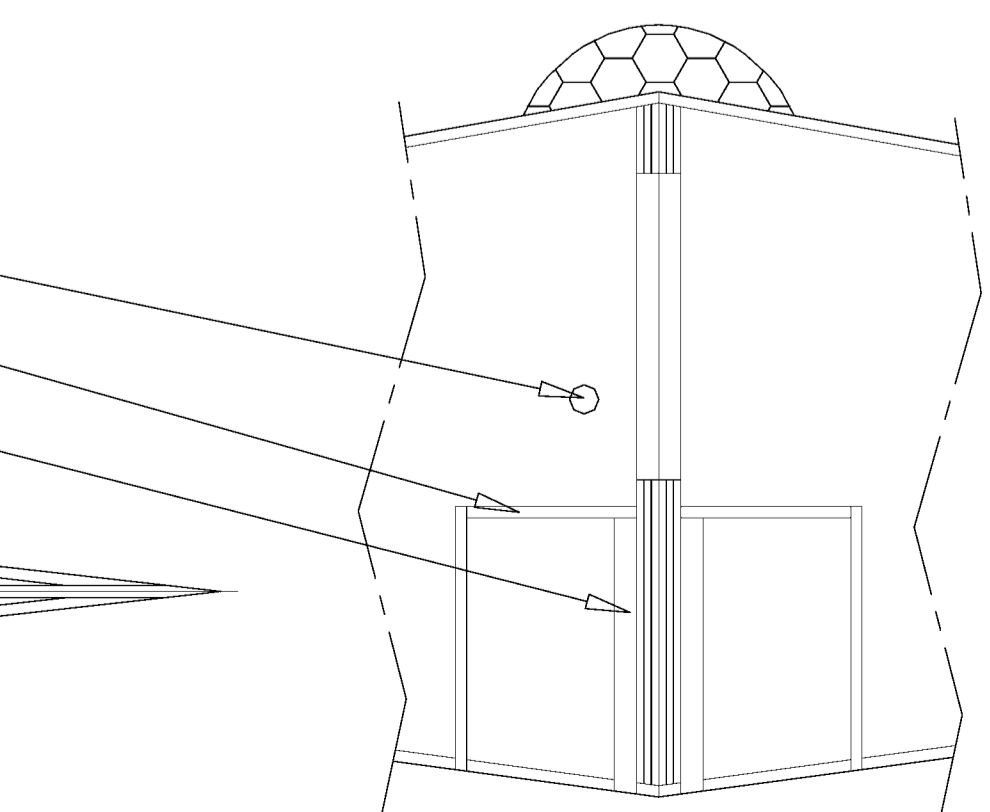
SECTION AT RIB 2



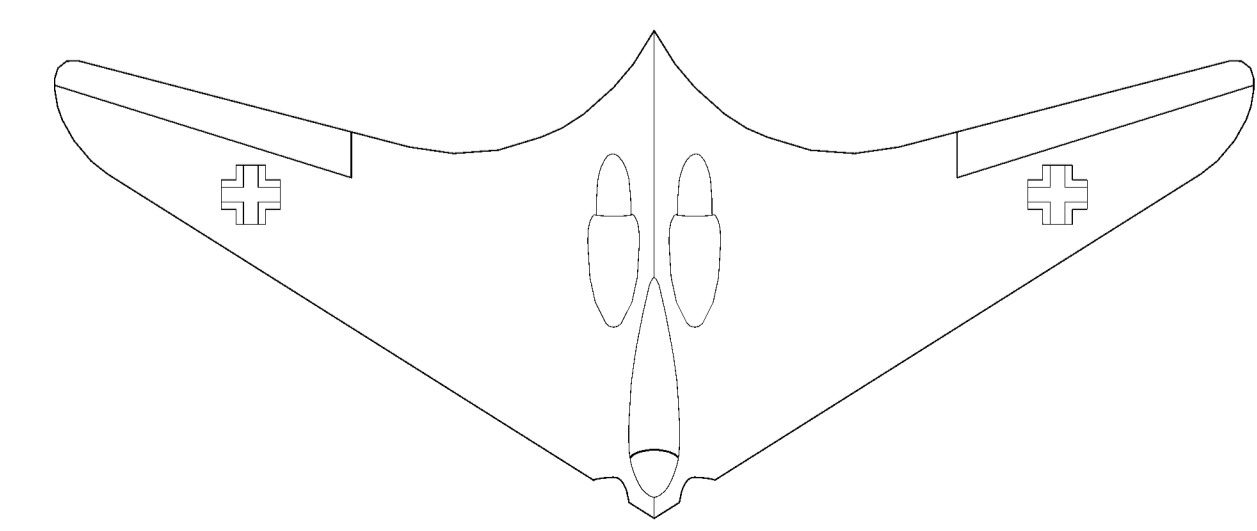
SECTION AT SERVO BAY



SECTION AT RIB 1

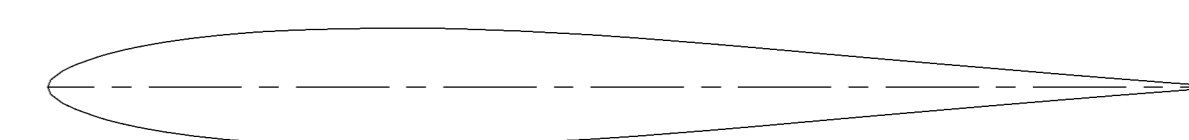
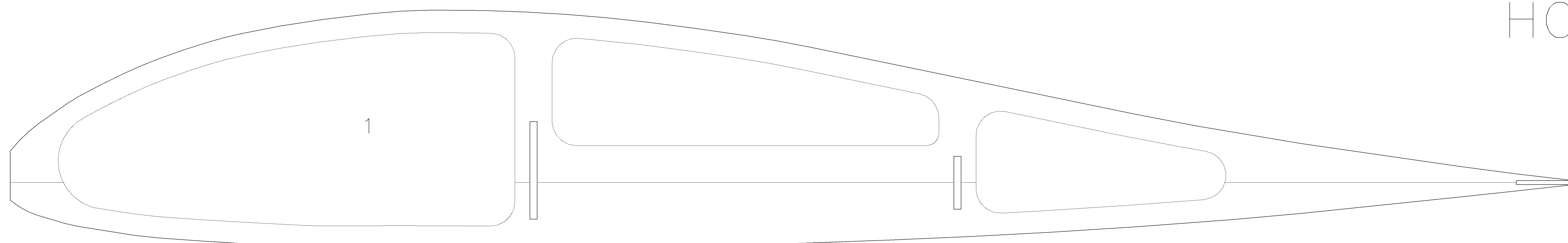
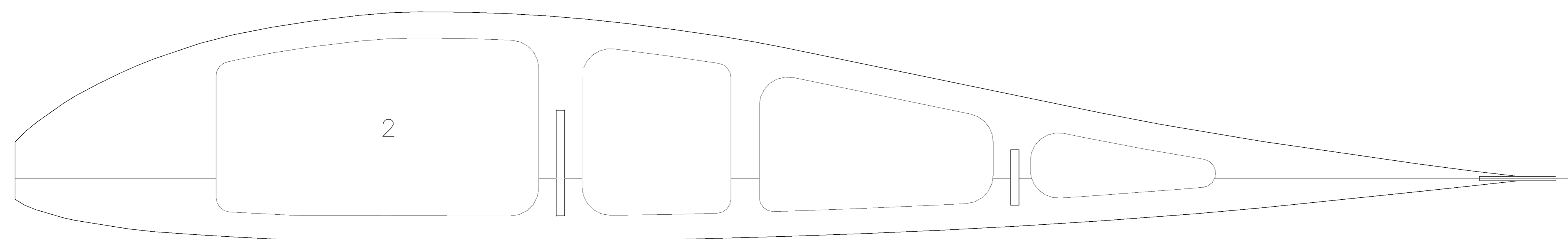
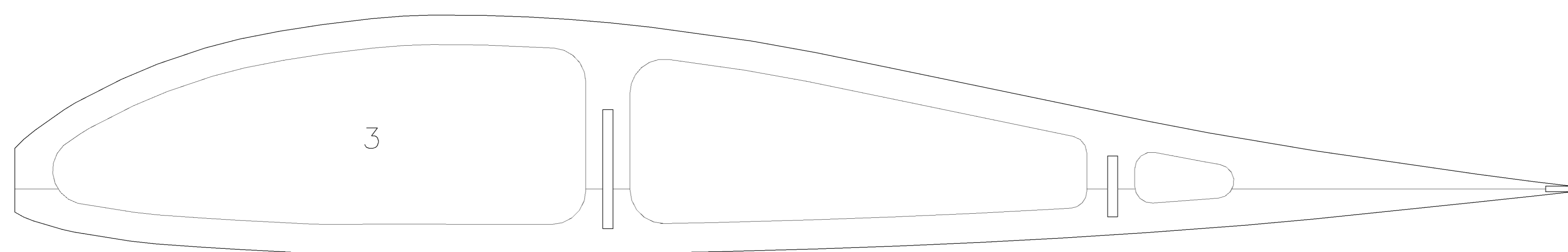
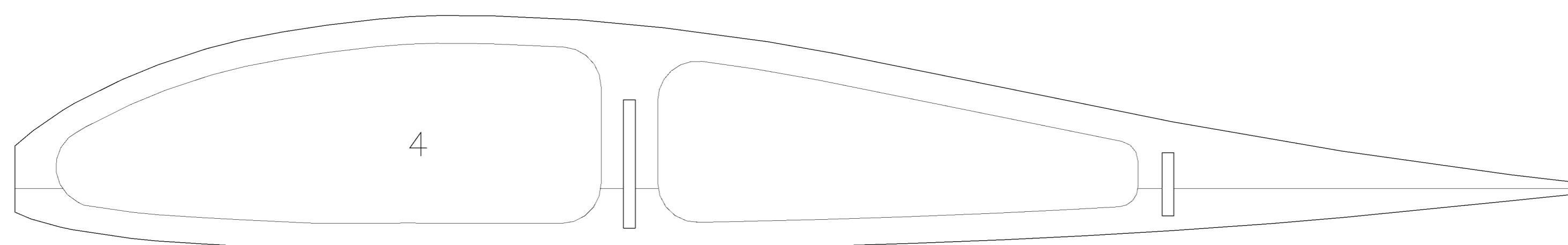
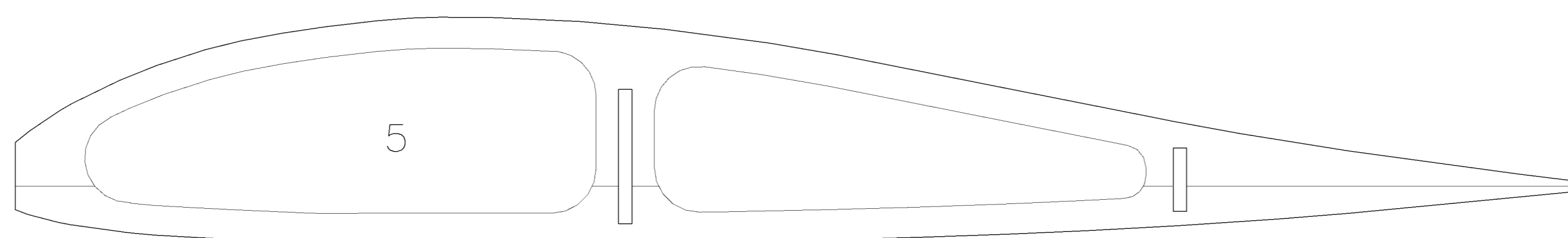
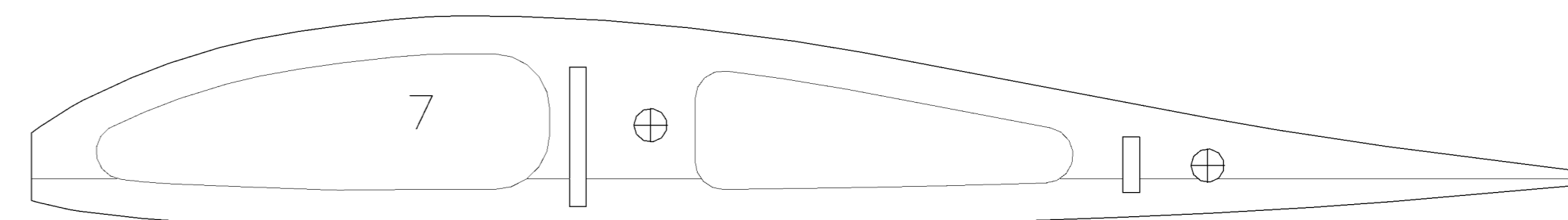
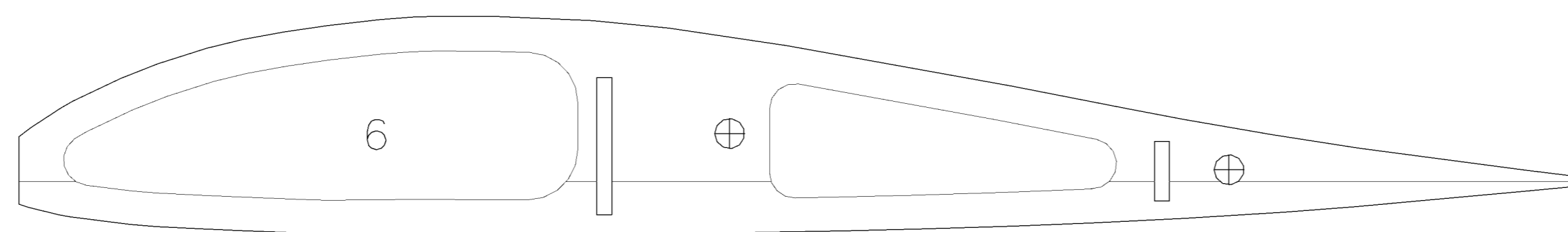


SECTION AT HAND LAUNCH HATCH



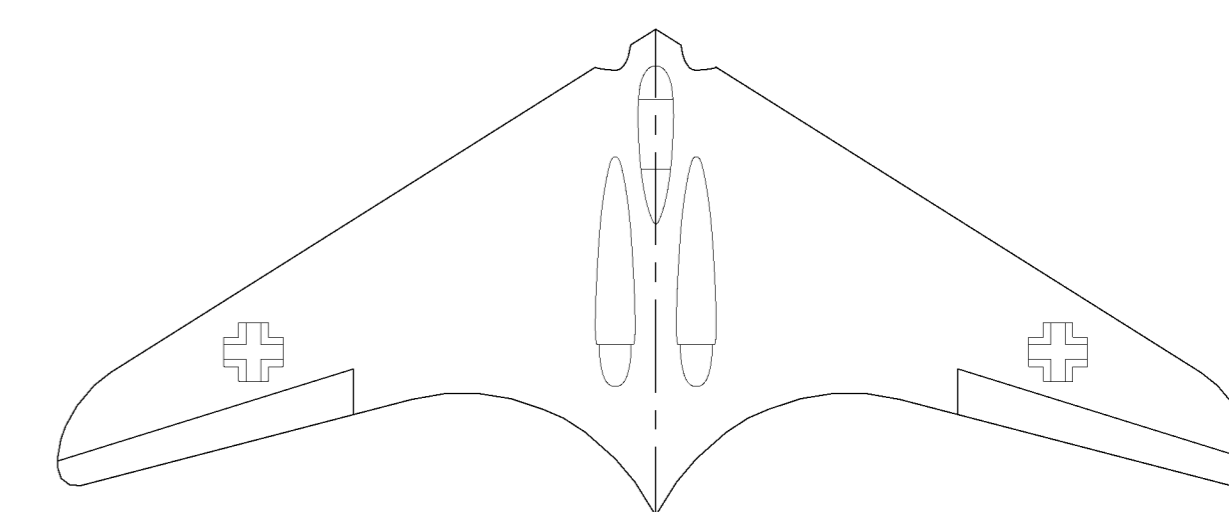
# HORTEN Ho 229 V2

PSS Model  
Designed and drawn by  
Giuseppe Ghisleri  
Wingspan 162 cm (63 1/2") 47,6 dm  
Length 66 cm Weight 1300 gr  
Wing load 27.5 gr/sq.dm.



Wing tip template

All ribs from 1/8" poplar ply



# HORTEN Ho 229 V2

PSS Model  
Designed and drawn  
by  
Giuseppe Ghisleri

Wingspan 162 cm (63.8")  
Length 66 cm  
Weight 1300 gr  
Wing load 27.5 gr/sq.dm.