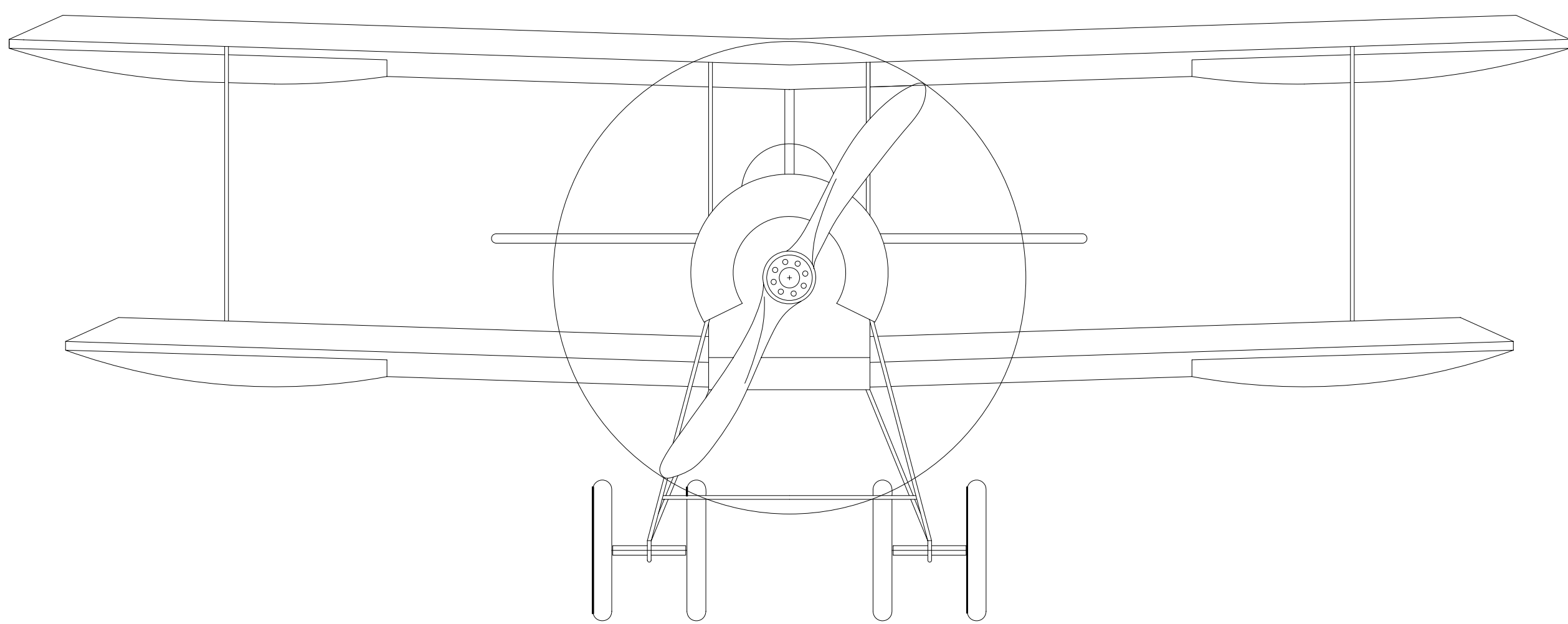
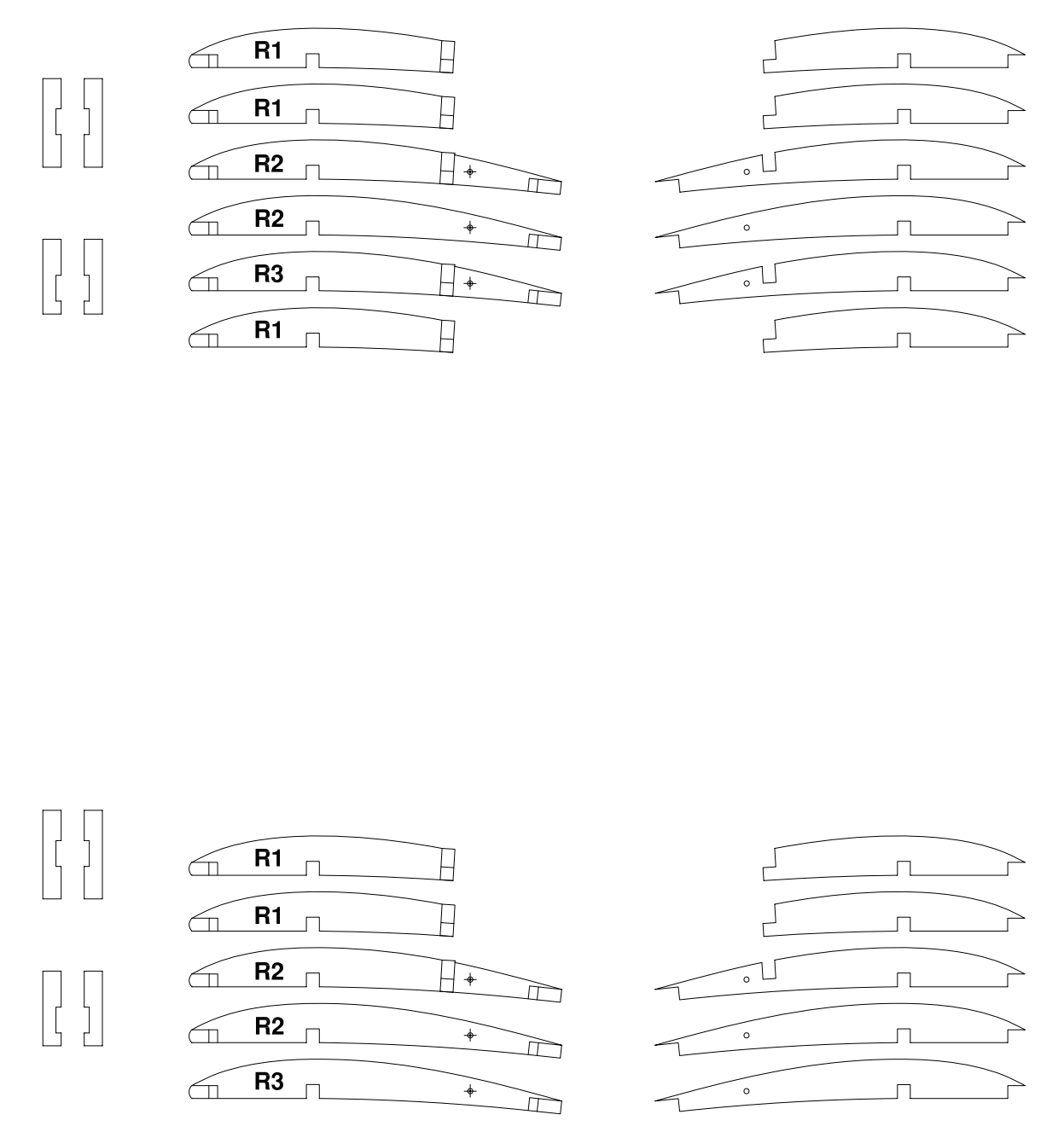
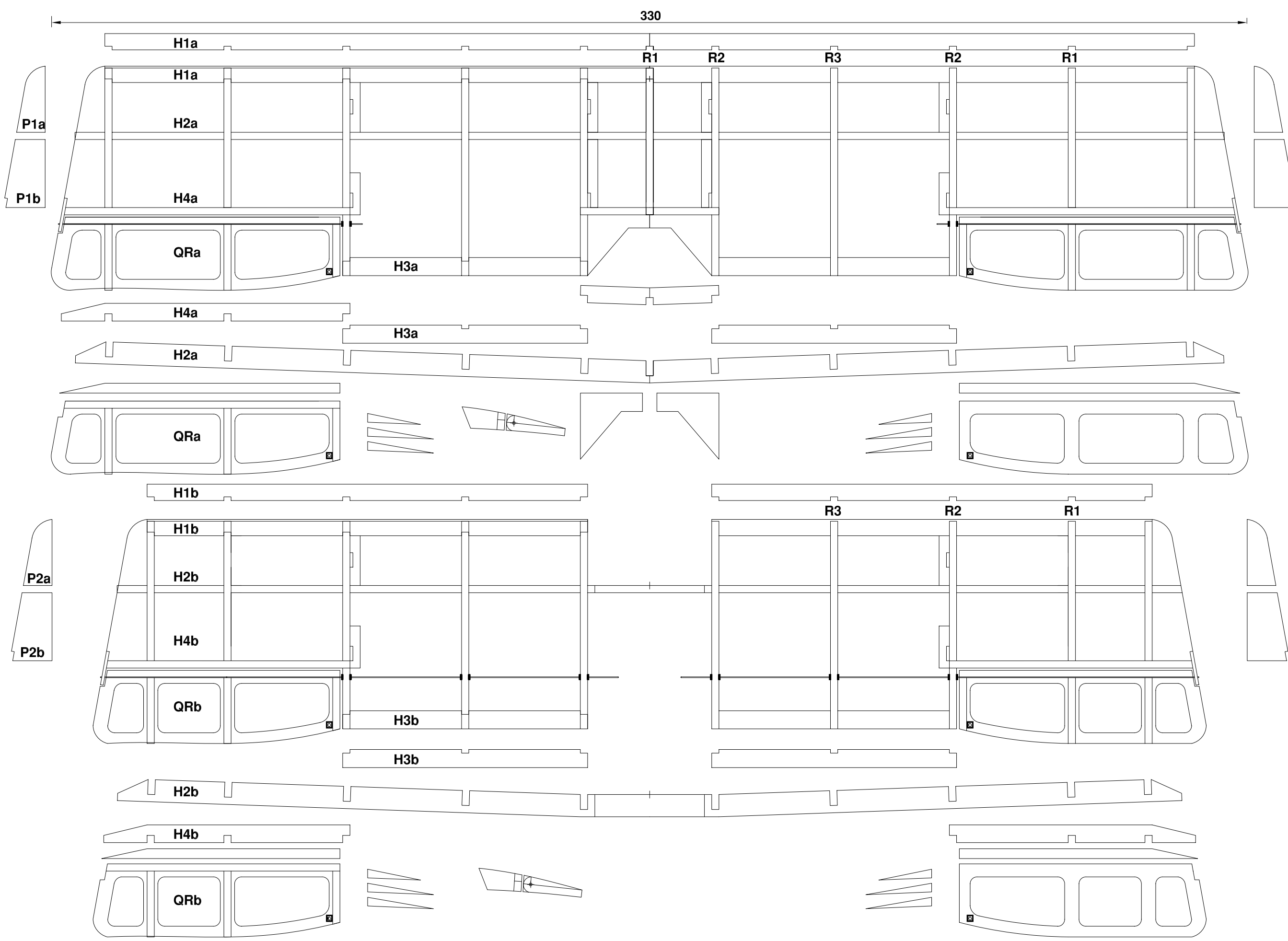
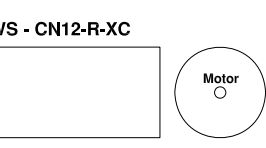
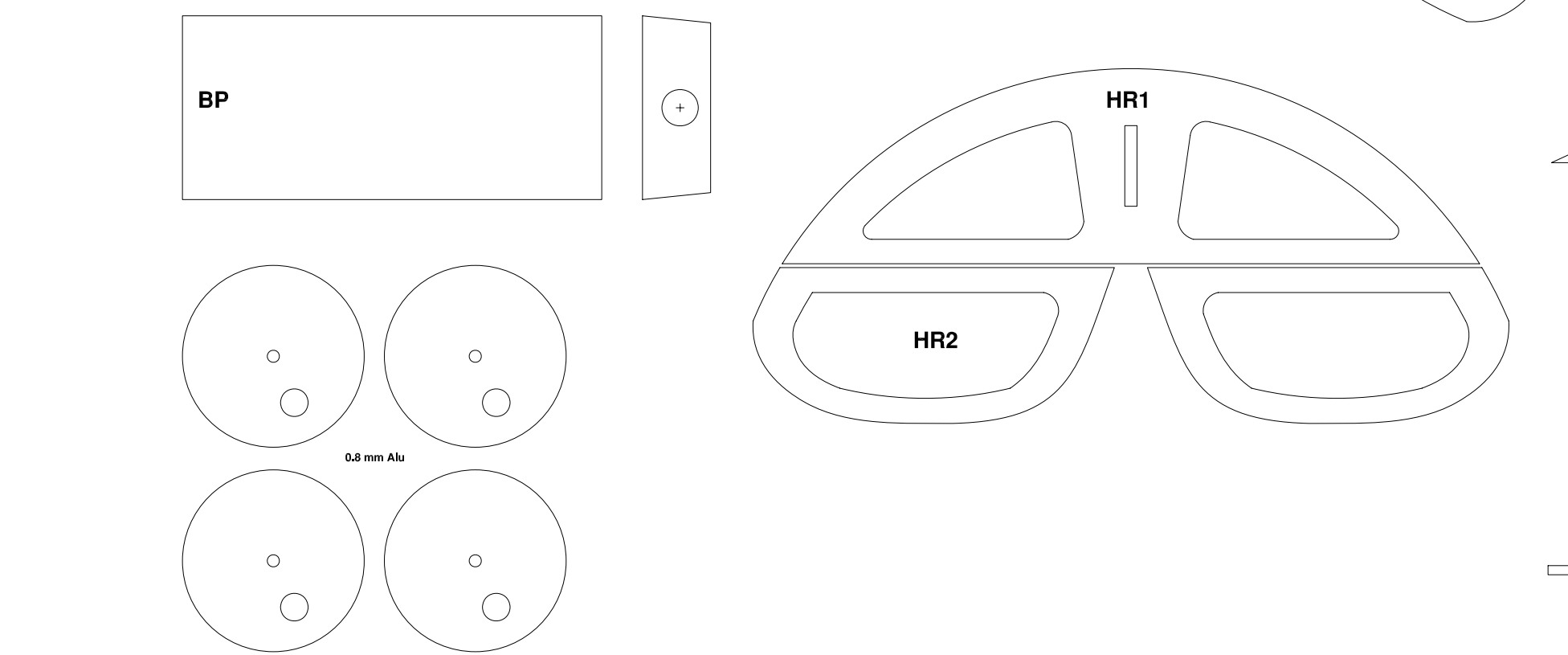
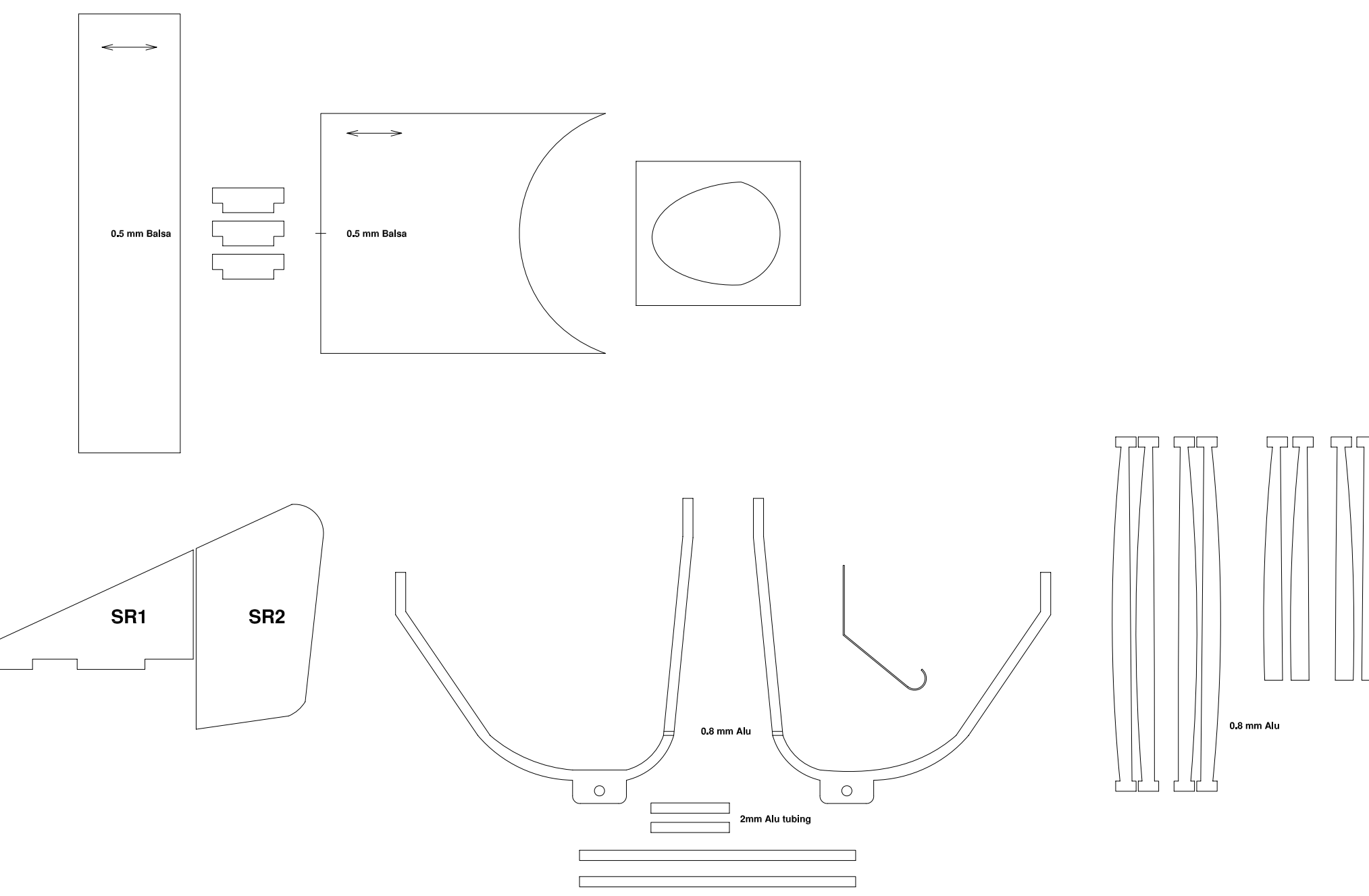
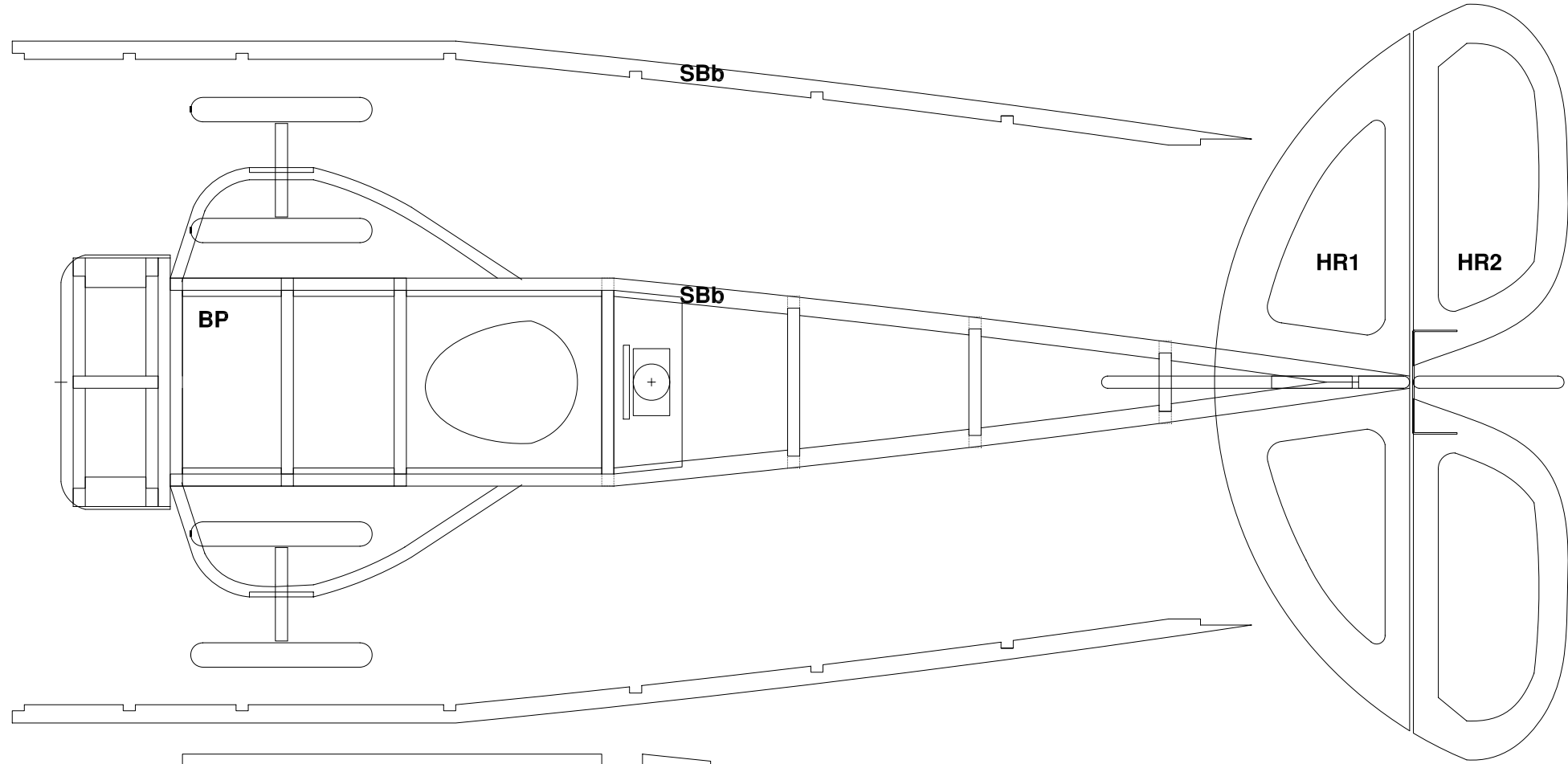
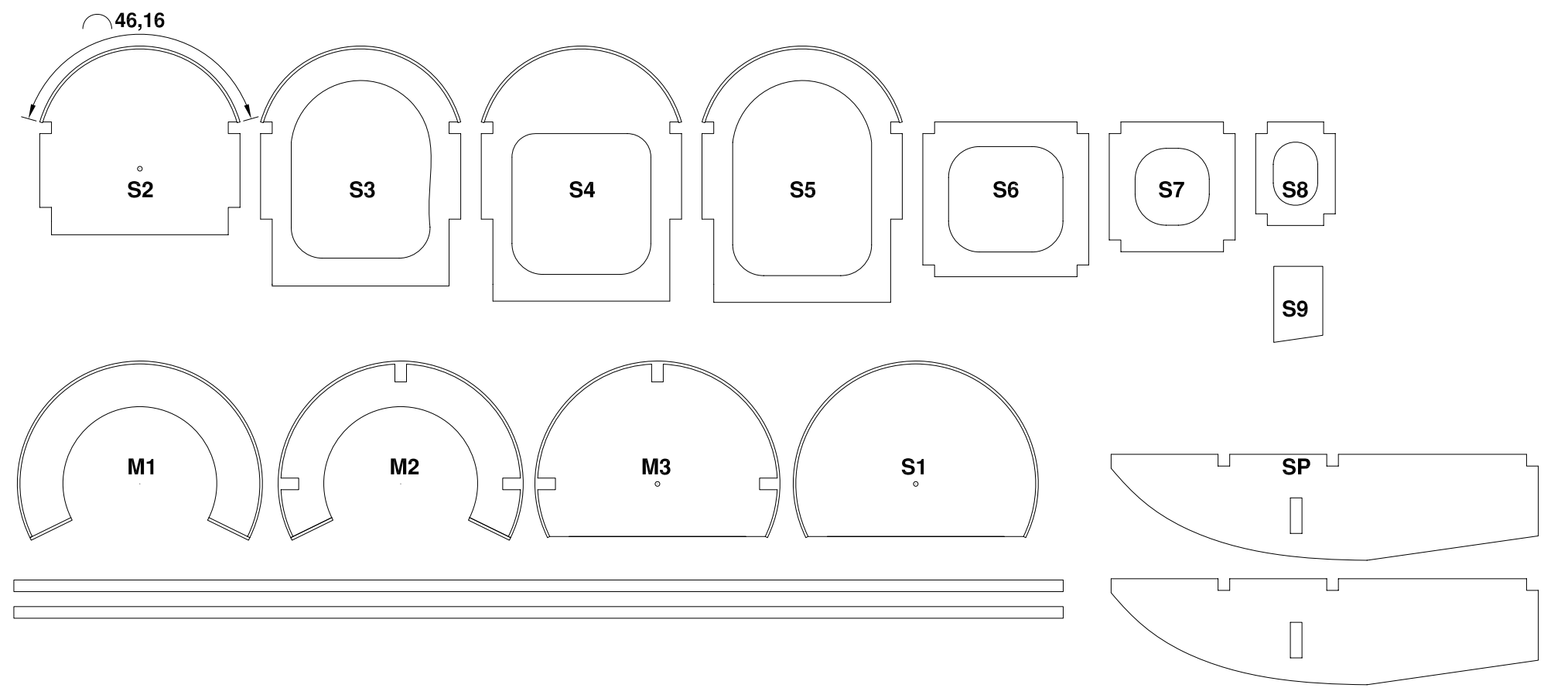
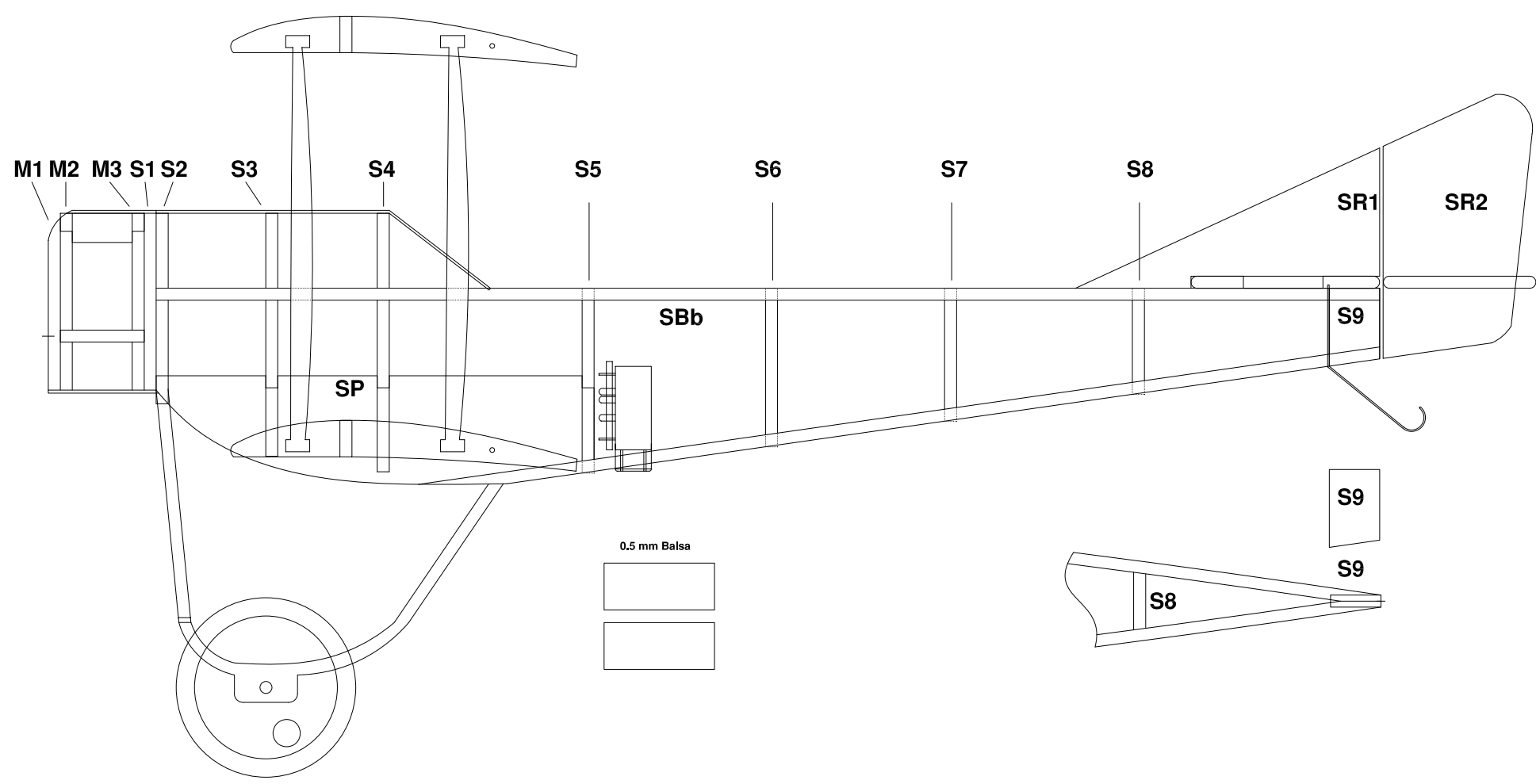


Sikorsky S-16



Sikorsky S16
 Peanut Scale by Arno Diemer
 All Wood is 2mm Balsa Wood unless stated otherwise
 Parts in this colour must be manually worked over
 Parts in this colour are hidden