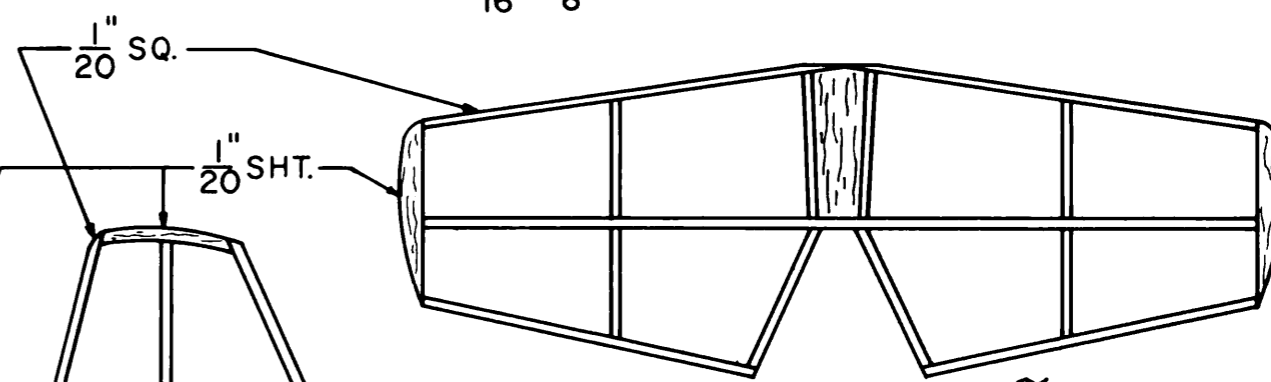


DIHEDRAL BREAKS

1" x 1/8" T.E.



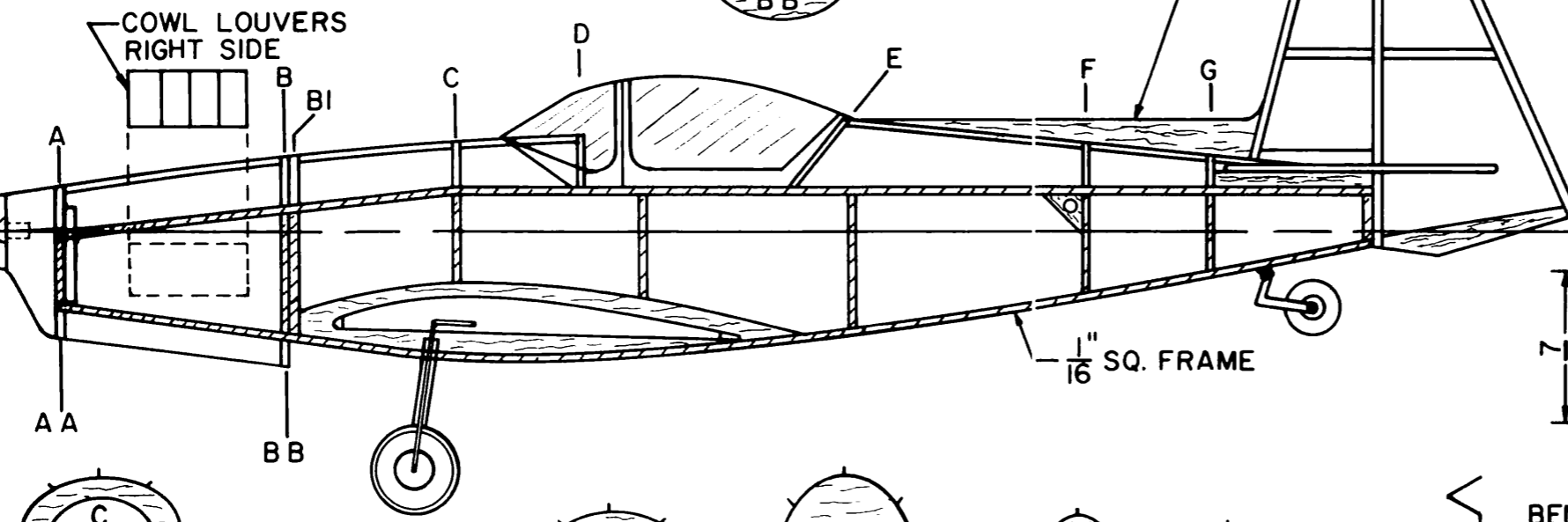
CUT OUT AFTER ASSBLY.



COWL LOUVERS RIGHT SIDE

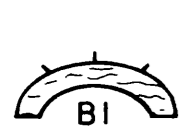
2° DOWN THRUST

USE 3 1/2" PROP.

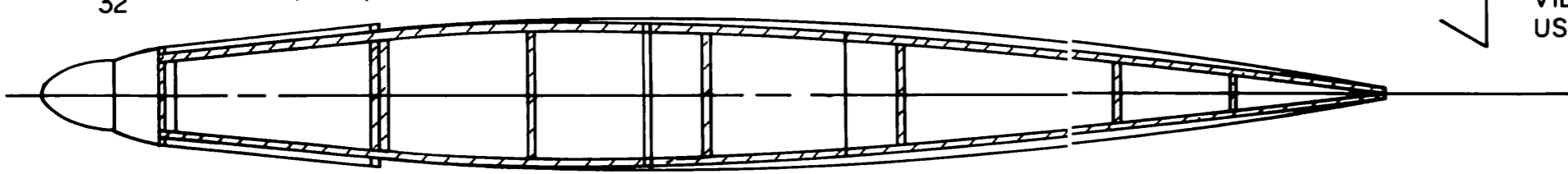
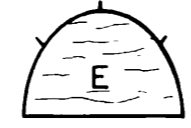
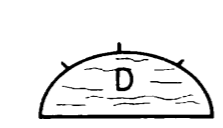


7/8" DIH.

BEND RIGHT L.G. TO THIS SHAPE USING TOP, FRONT, & SIDE VIEWS, LEFT IS OPP. USE 1/32" DIA. WIRE.



COVER A TO B WITH 1/32" SHT. SIDES, TOP, BOTTOM.



ZLIN 526 AS.  
 PEANUT SCALE  
 BY: STEPHEN J HALES  
 REF. DEC. 69 M.A.N.  
 10/8/81