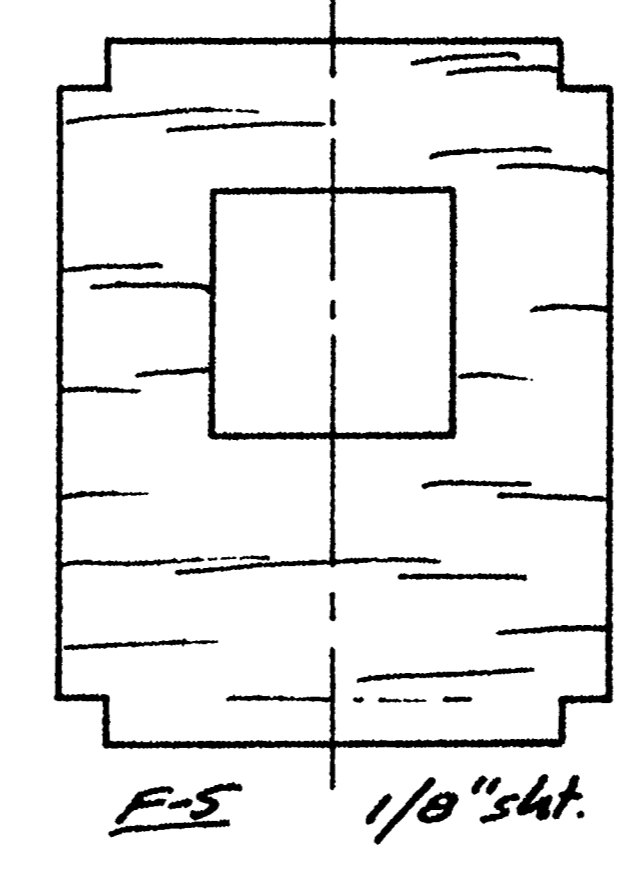
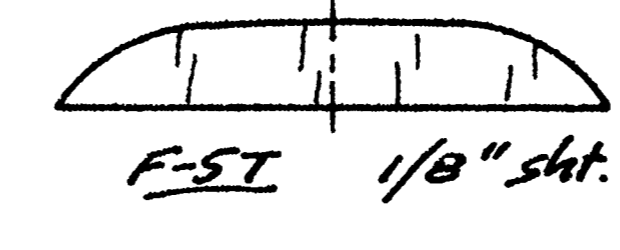
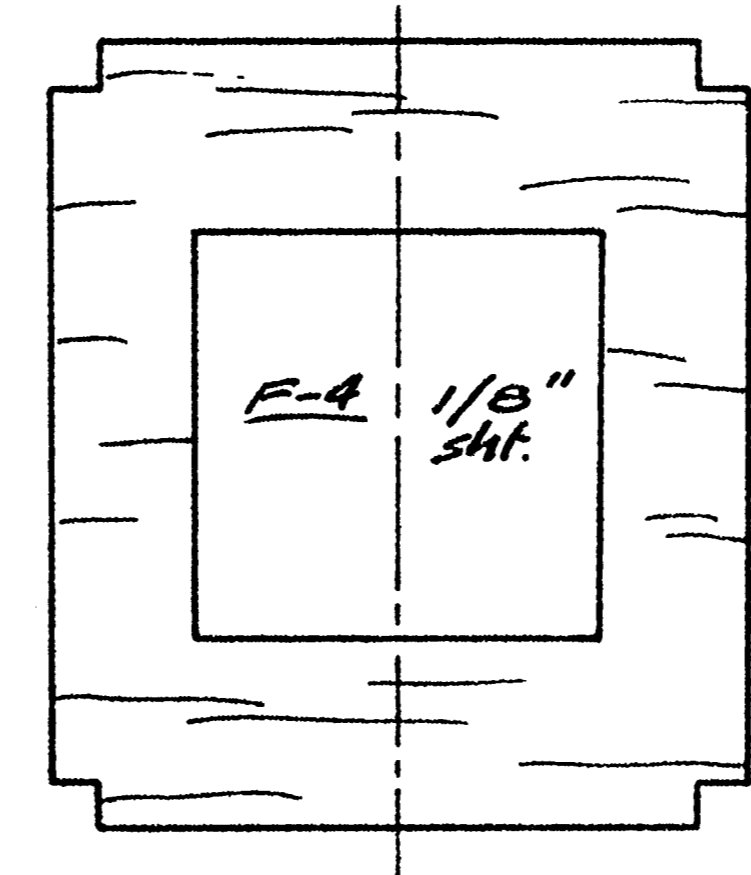
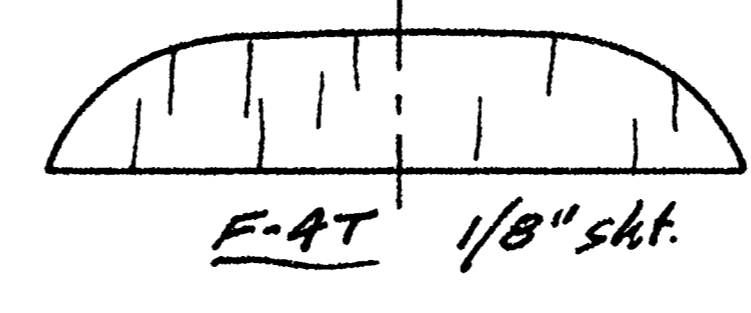
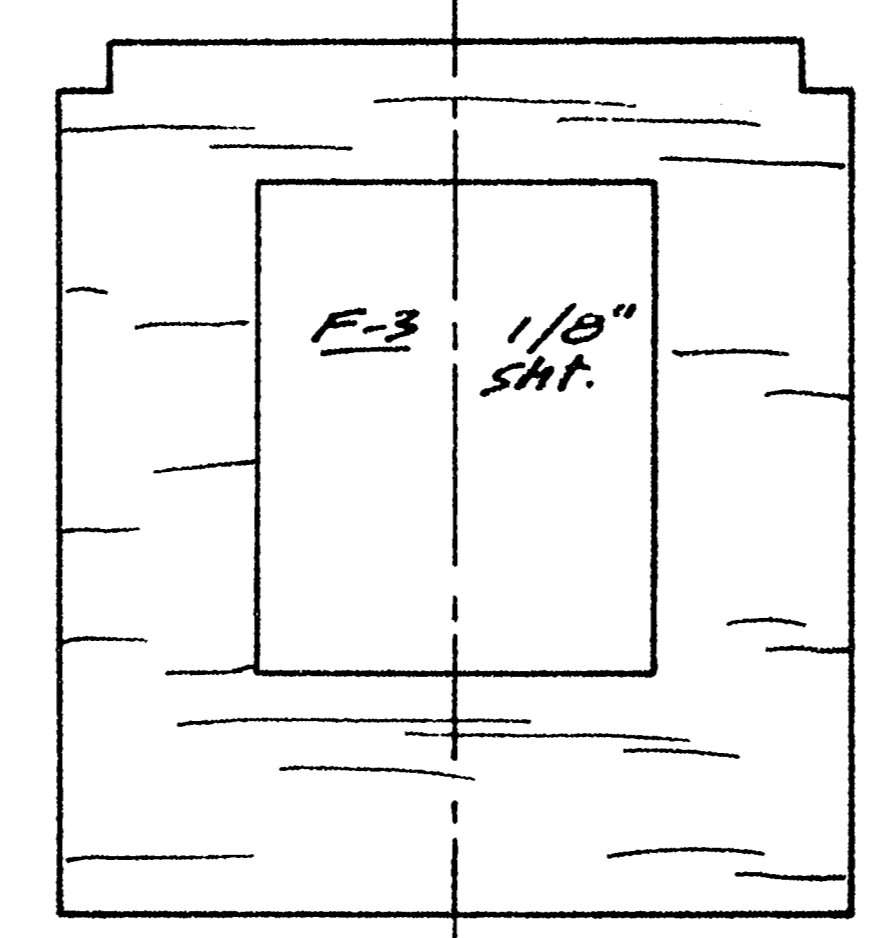
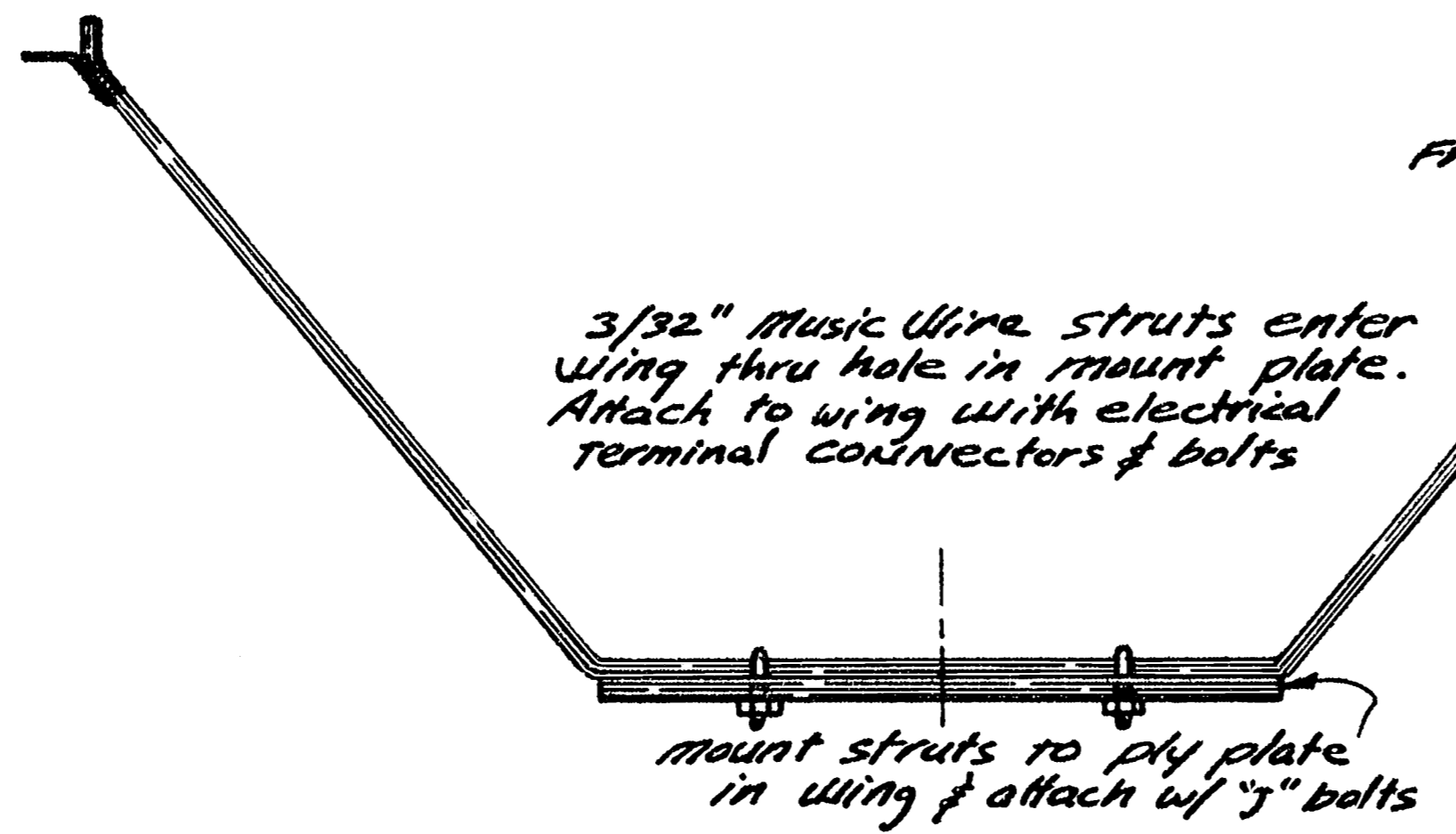
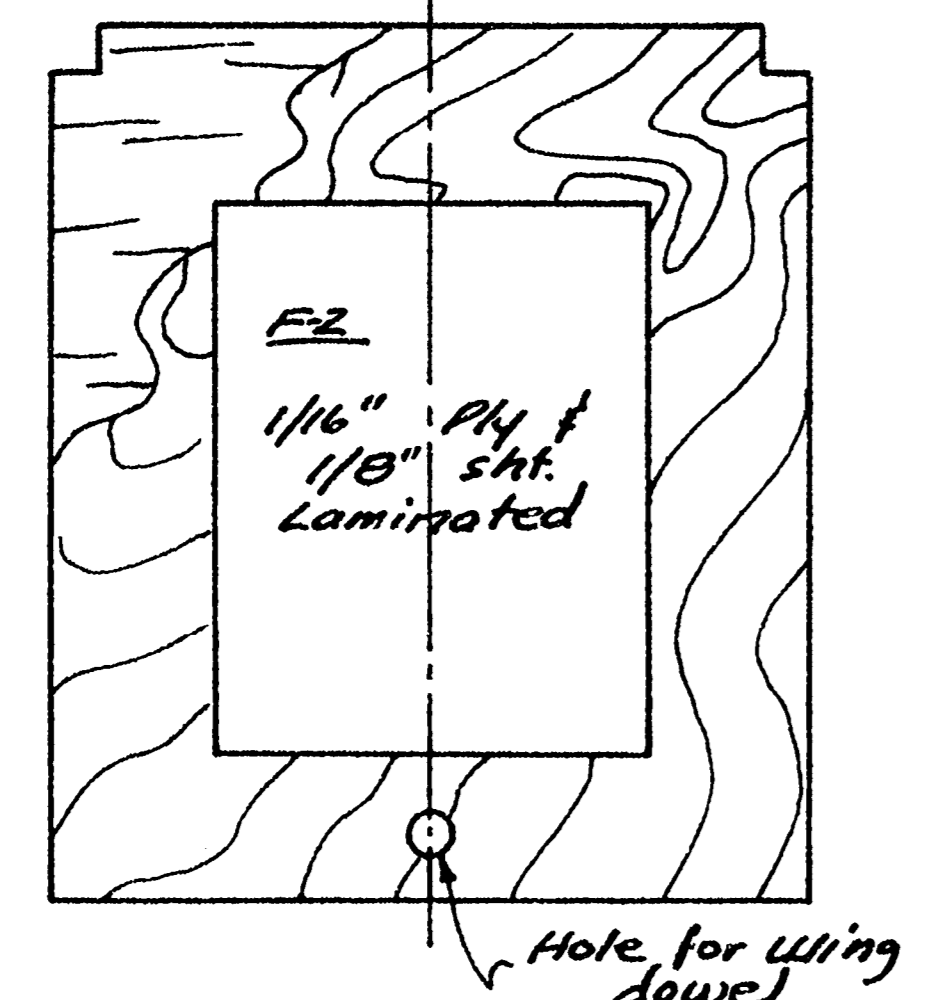
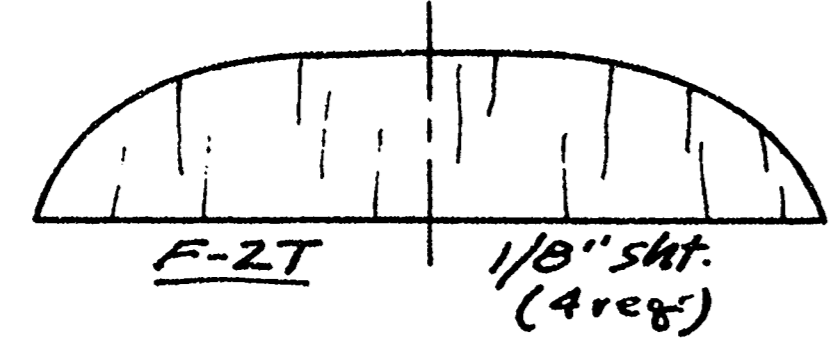
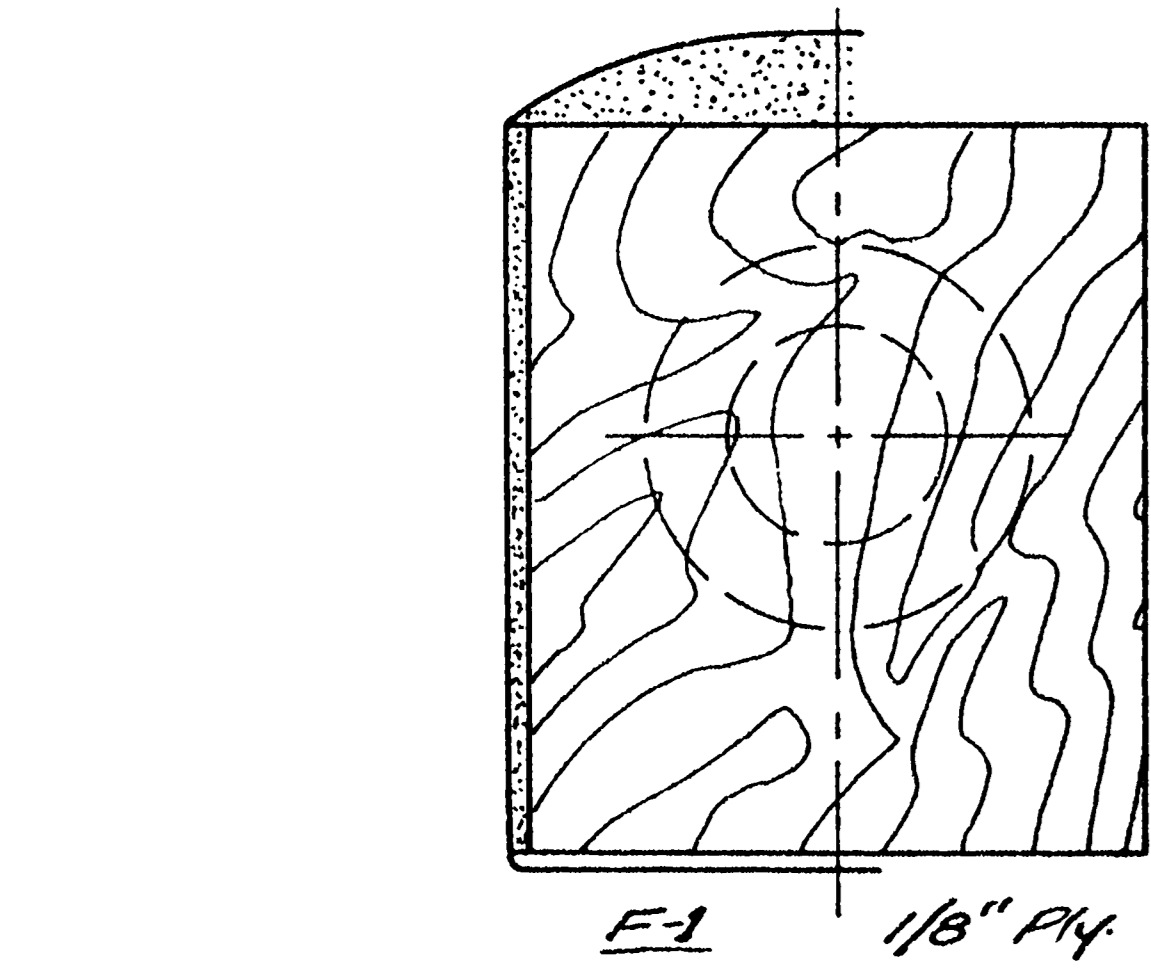
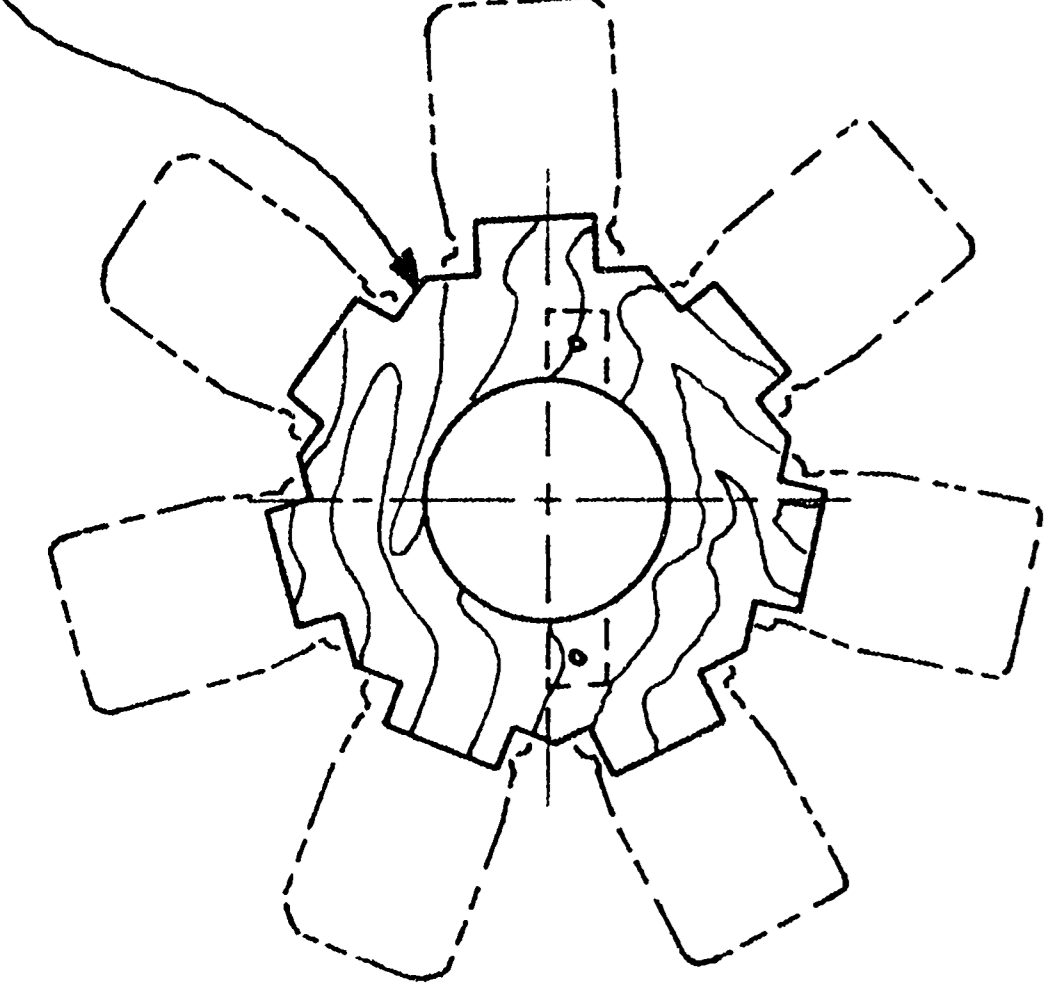
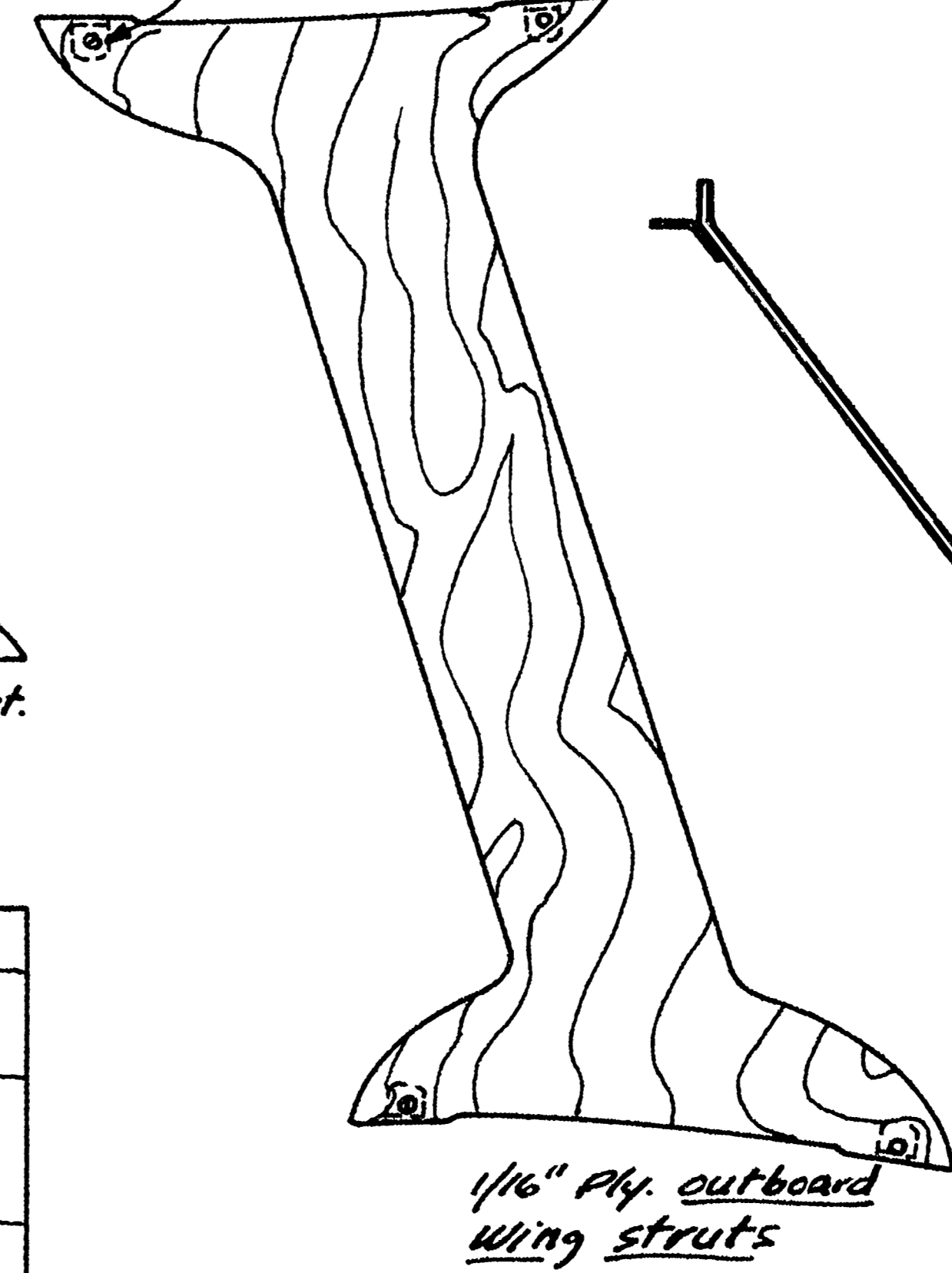


1/8" Ply plate - use for attaching Williams Bros. #208 dummy cylinders. Attach plate to engine mount.

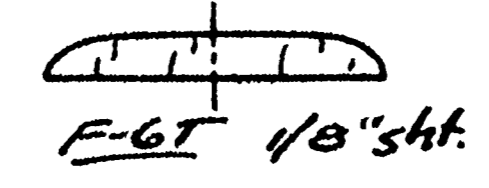


Attach to wings w/ Goldberg 90° brackets.



3/32" m.w. rear strut

1/4" sht. Fin



tail brace Cable-use .012" control line wire

1/8" x 1/4" spruce F.E.

1/4" sq. rudder post

1/8" x 1/4" ribs

1/4" x 1/2" rail post

horn (rudder)

non-scale rail-wheel assembly

optional scale rail skid location - mount to ply. plate in fuse.

# UDET U-12 FLAMINGO

Designed & drawn by: Roland Balthes  
Traced in ink by: Al Patterson

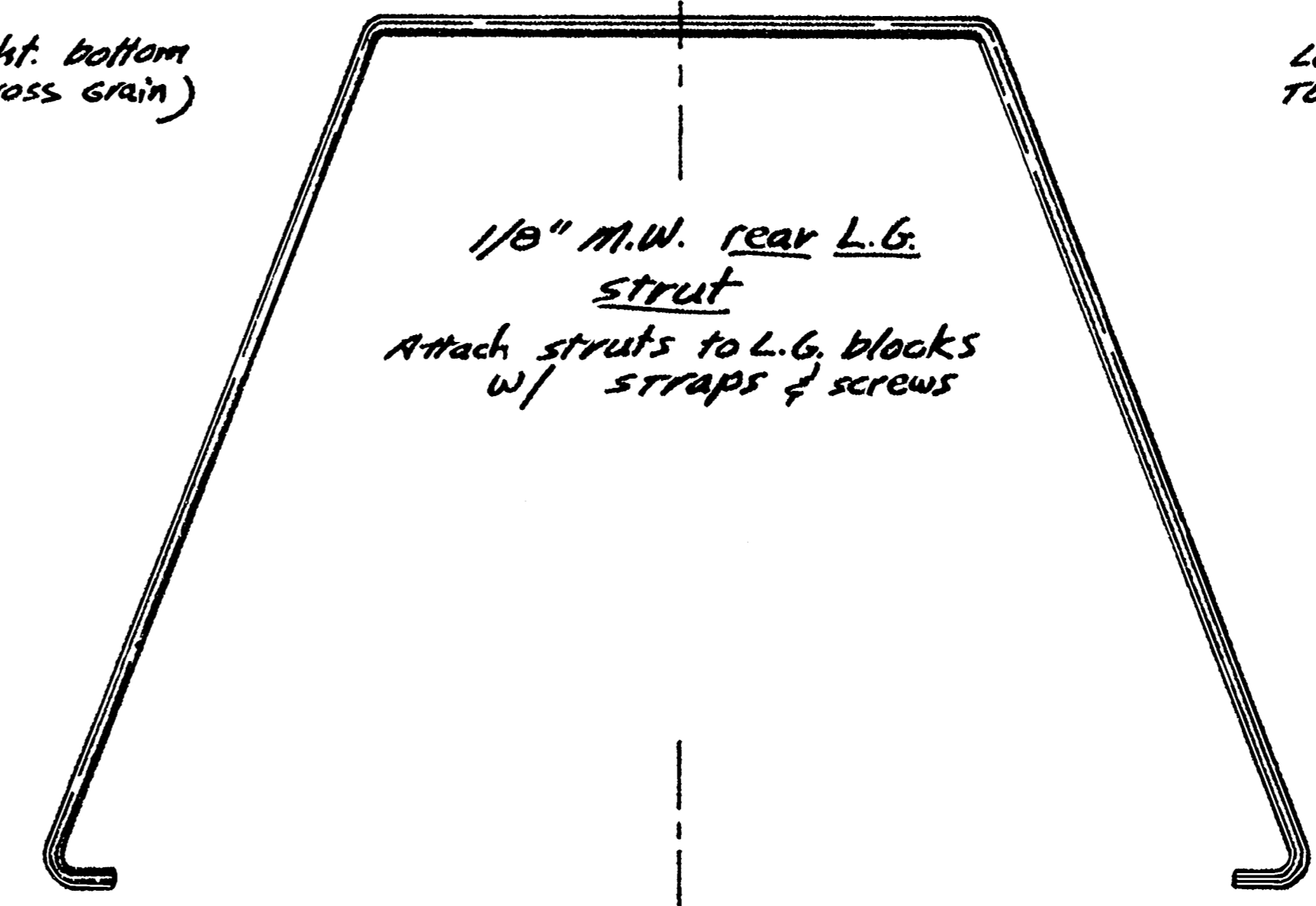
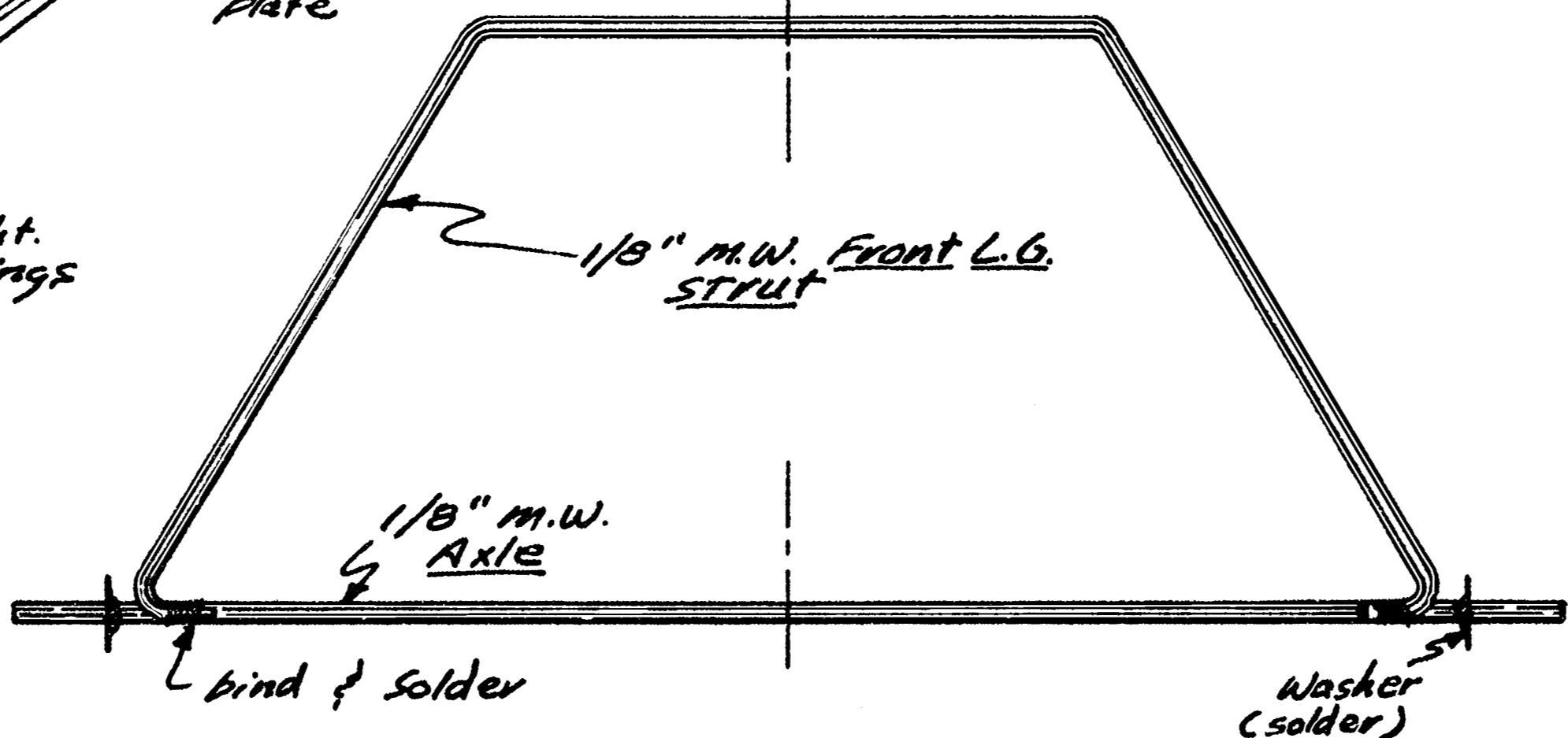
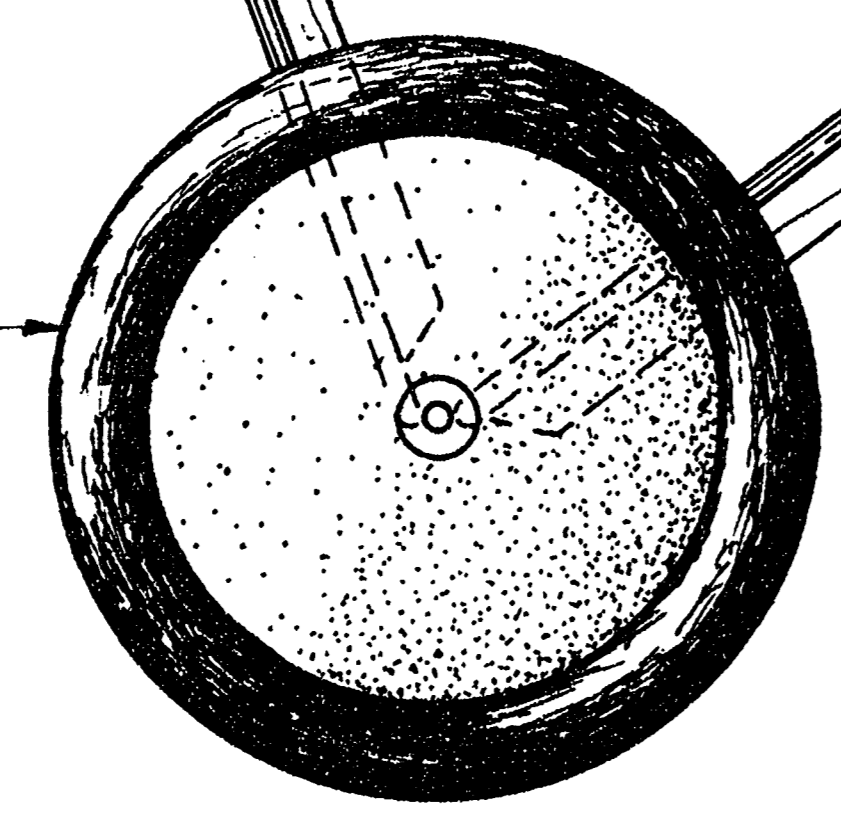
Specs	
span	58"
length	42 1/2"
power	.30-40

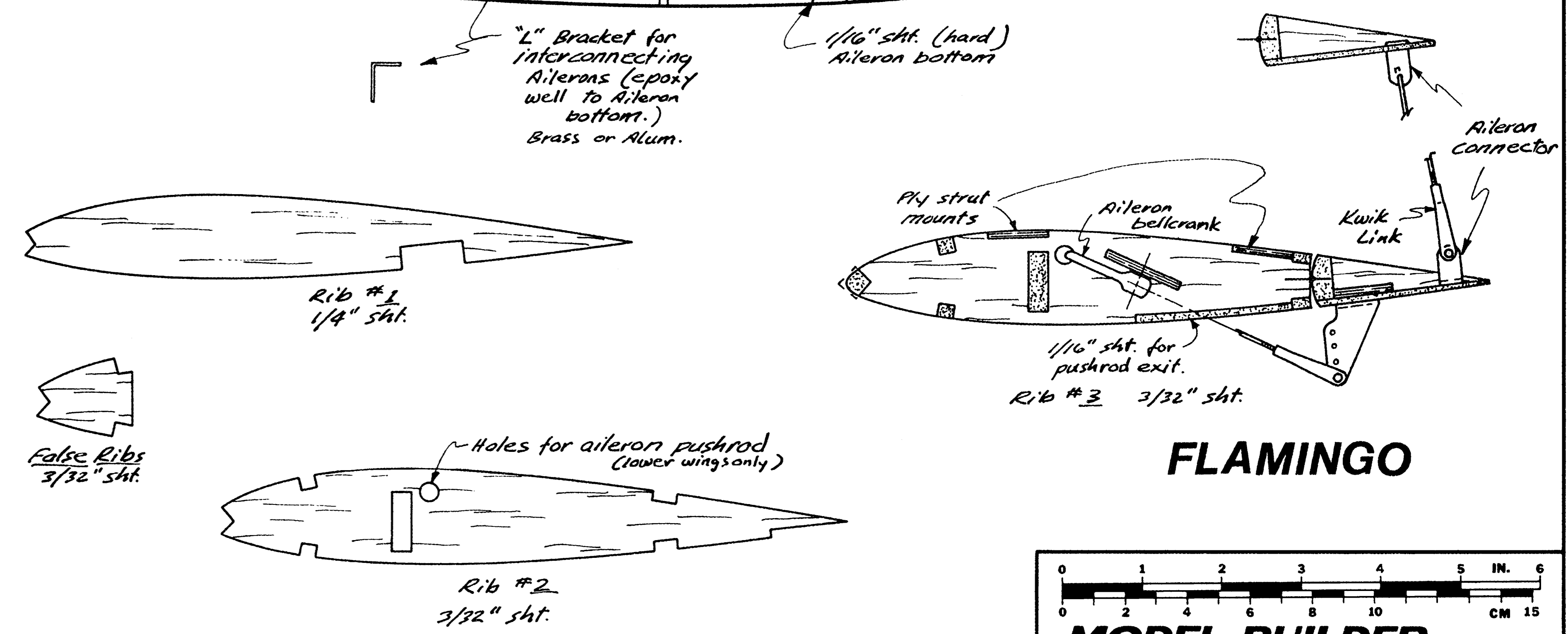
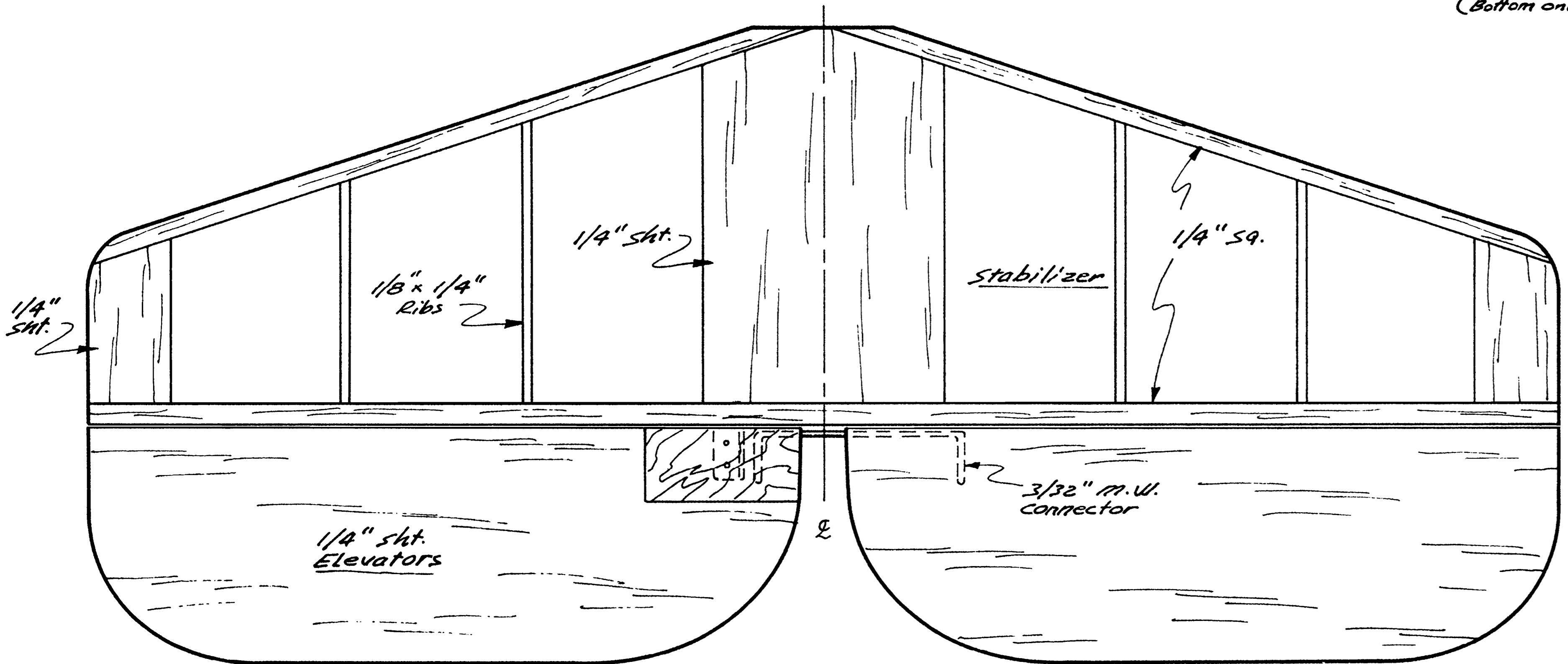
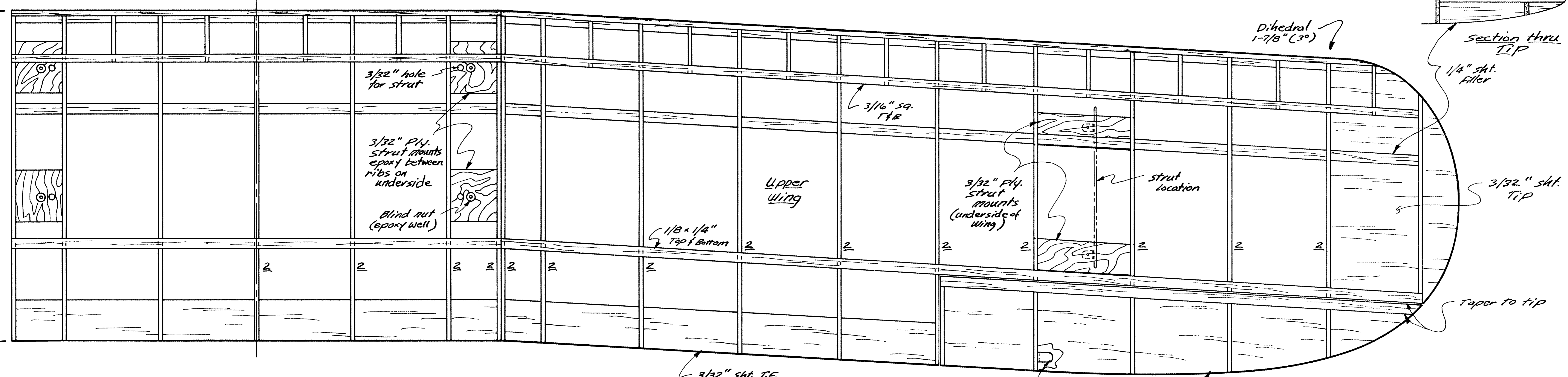
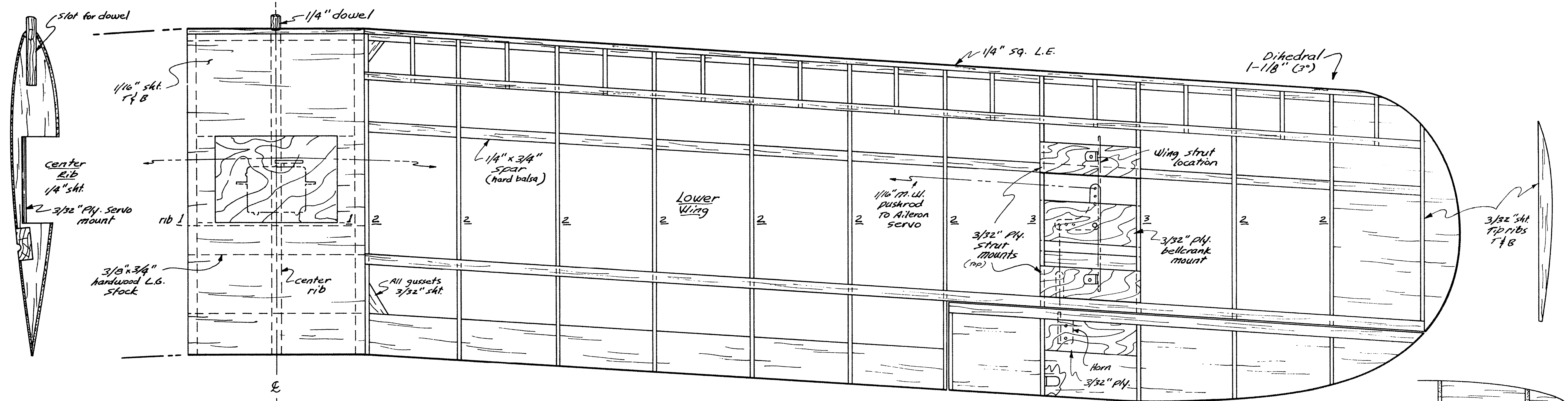
**MODEL BUILDER** magazine  
621 West 19th St., Costa Mesa, CA 92627  
Plan No: 10801-A

\* Use .30 to .40 engine Kraft KM.40 engine mount shown.

\* Note: All parts balsa unless otherwise noted.

2-3/4" dia. Williams Bros. WNI wheels





**FLAMINGO**

