

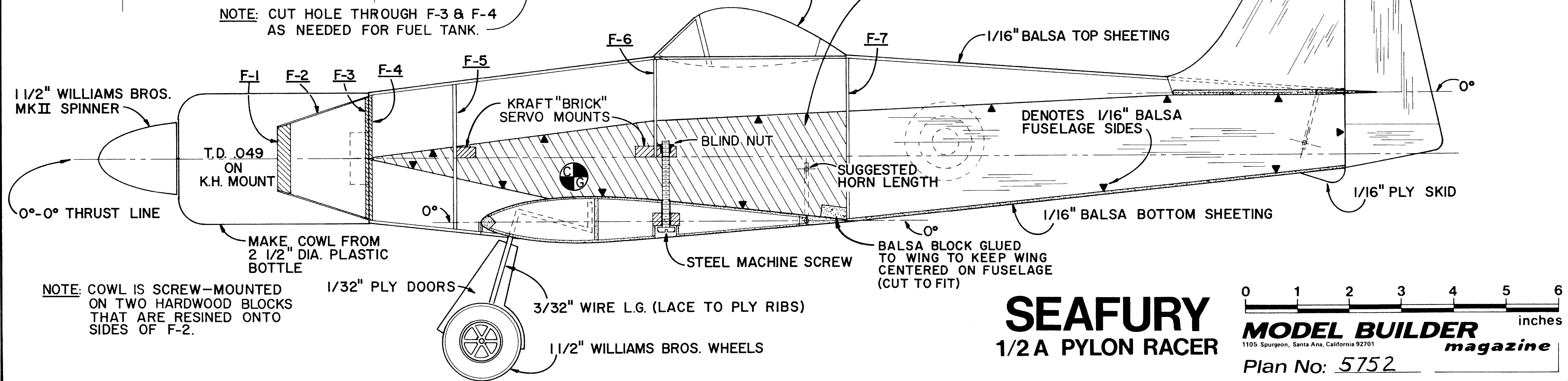
NOTE: ENTIRE AIRFRAME IS FINISHED WITH 3/4 OZ. F/G CLOTH & SURFACING RESIN WITH AN EPOXY PAINT OVERALL.

NOTE: CUT HOLE THROUGH F-3 & F-4 AS NEEDED FOR FUEL TANK.

CARVE CANOPY FROM BLOCK OR ADAPT COMMERCIAL UNIT

SHADED AREA INDICATES 1/16" Balsa DOUBLER (GRAIN VERTICAL)

FIN & RUDDER 3/32" SHEET (NOT HINGED)



SEAFURY
1/2A PYLON RACER

0 1 2 3 4 5 6 inches

MODEL BUILDER magazine
1105 Spurgeon, Santa Ana, California 92701
Plan No: 5752