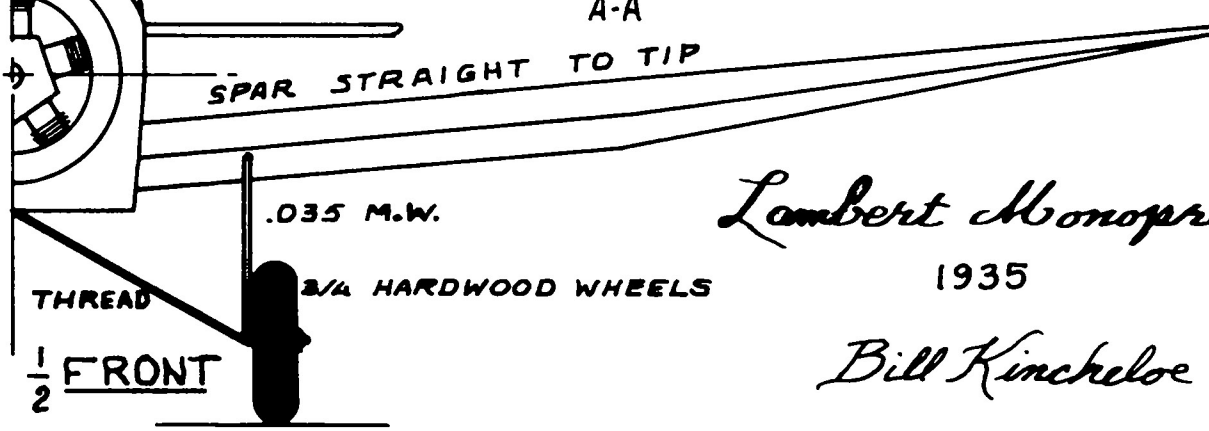
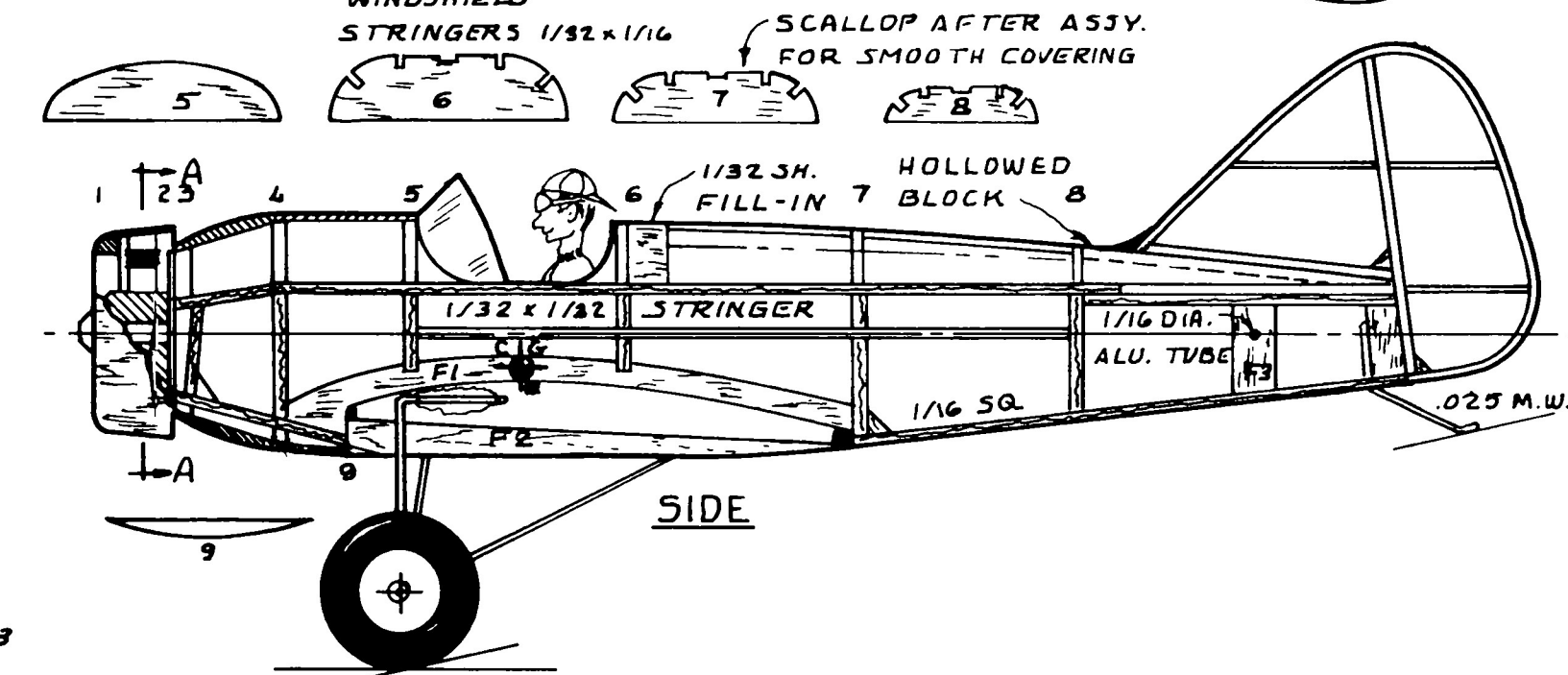
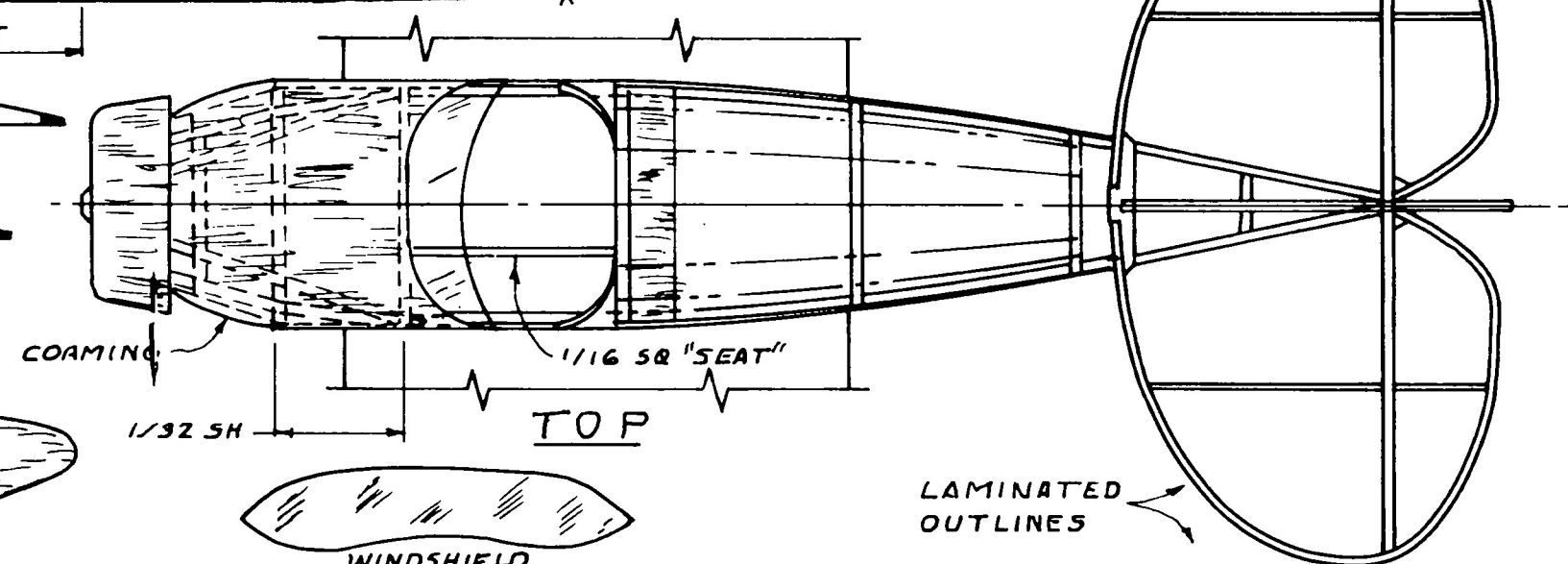
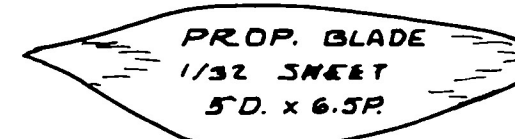
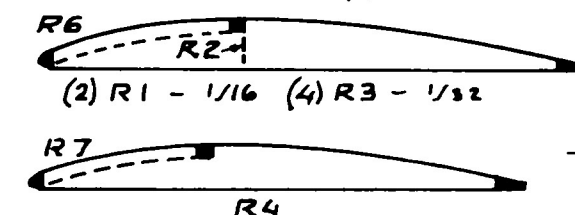
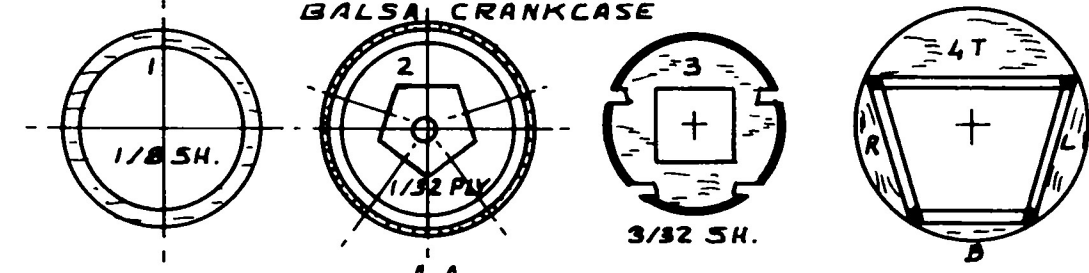


ENGINE: 5 CYLS
PAPER TUBES
THREAD WRAP
Balsa CRANKCASE



Lambert Monoprep
1935
Bill Kincheloe 2/93