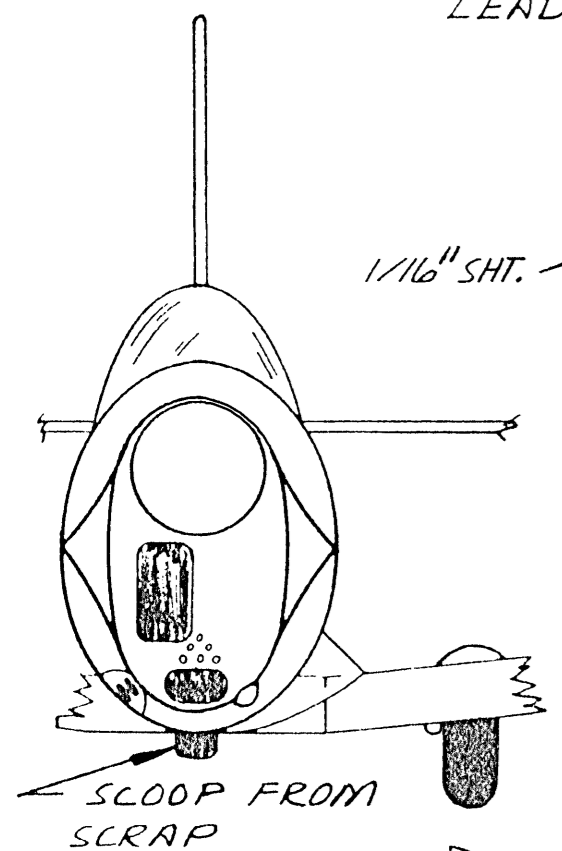
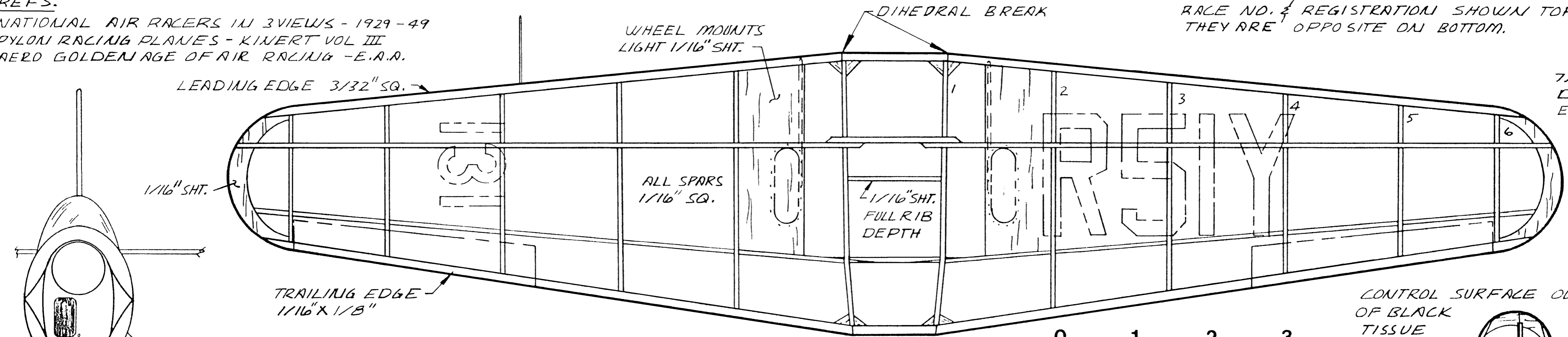


REFS.

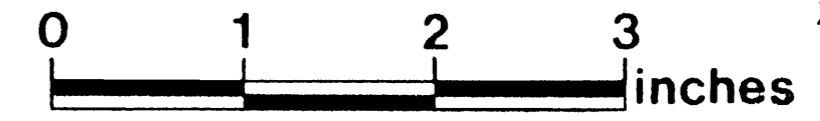
NATIONAL AIR RACERS IN 3 VIEWS - 1929-49
 PYLON RACING PLANES - KIVERT VOL III
 AERO GOLDEN AGE OF AIR RACING - E.A.A.

RACE NO. & REGISTRATION SHOWN TOP.
 THEY ARE OPPOSITE ON BOTTOM.

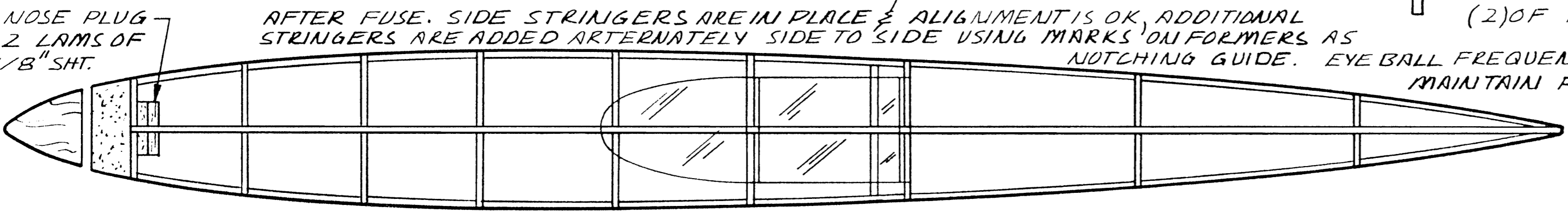
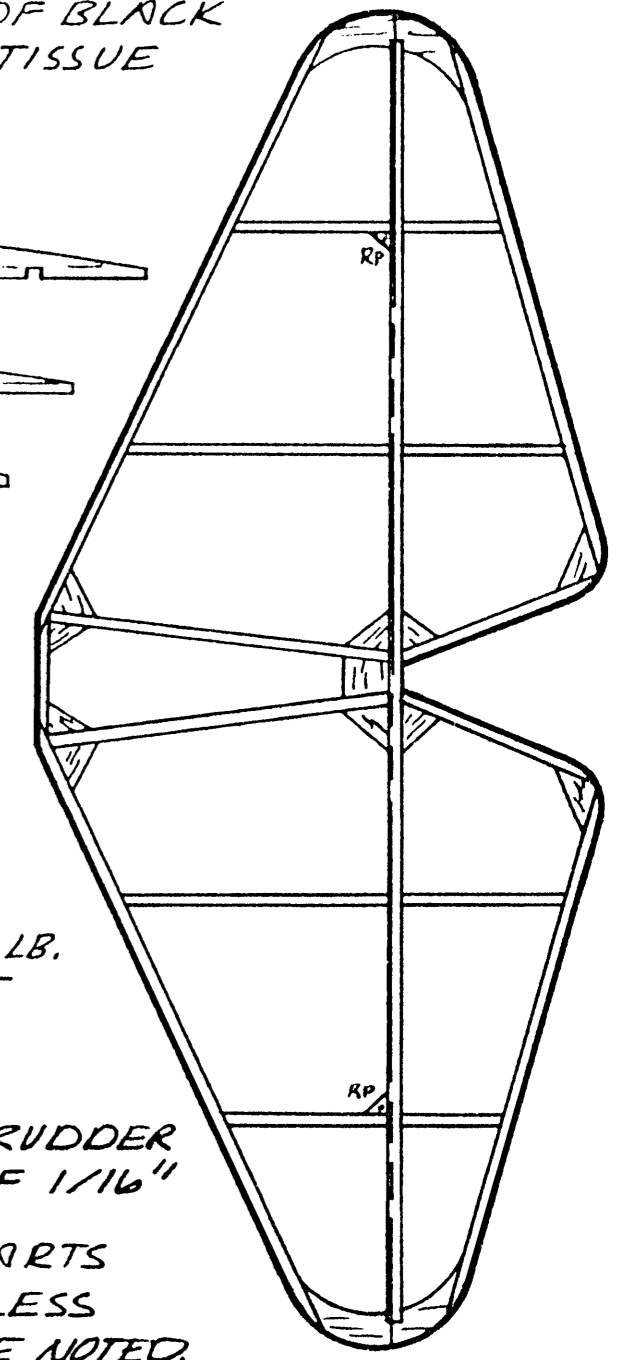
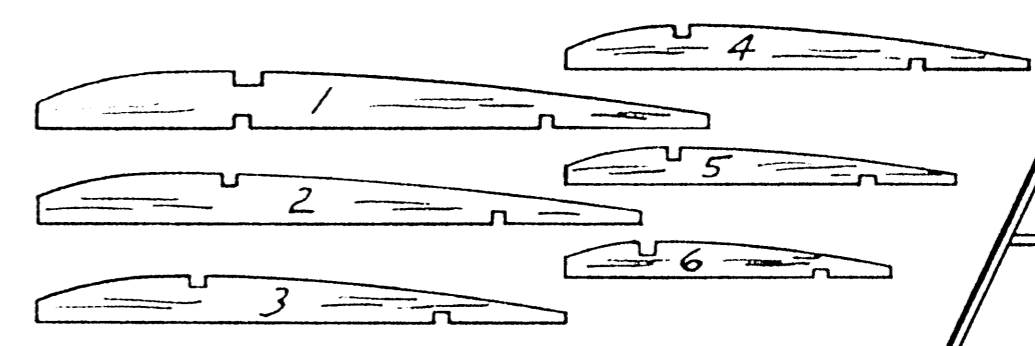
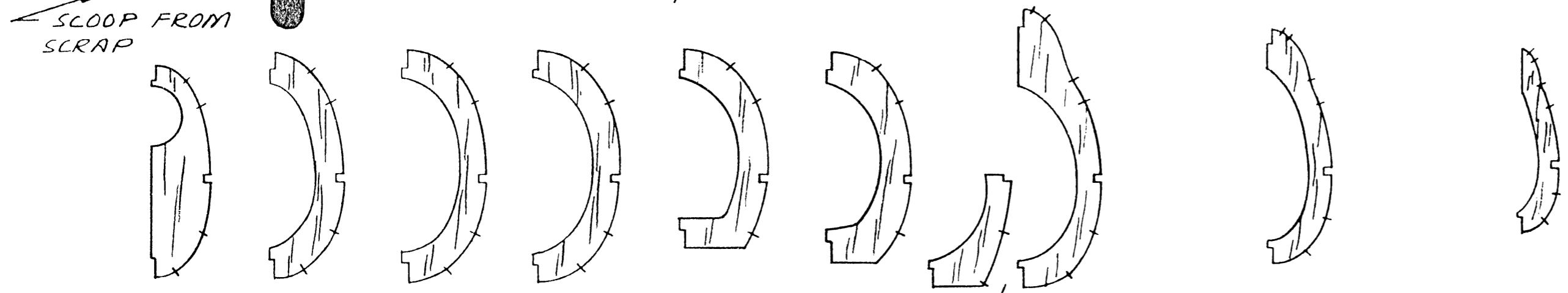
7/8" DIHEDRAL EACH TIP



ALL FORMERS & RIBS 1/16" SHT.

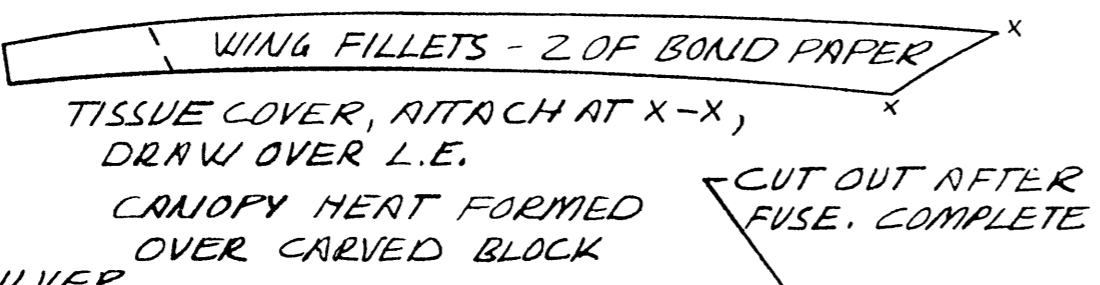


CONTROL SURFACE OUTLINES OF BLACK TISSUE



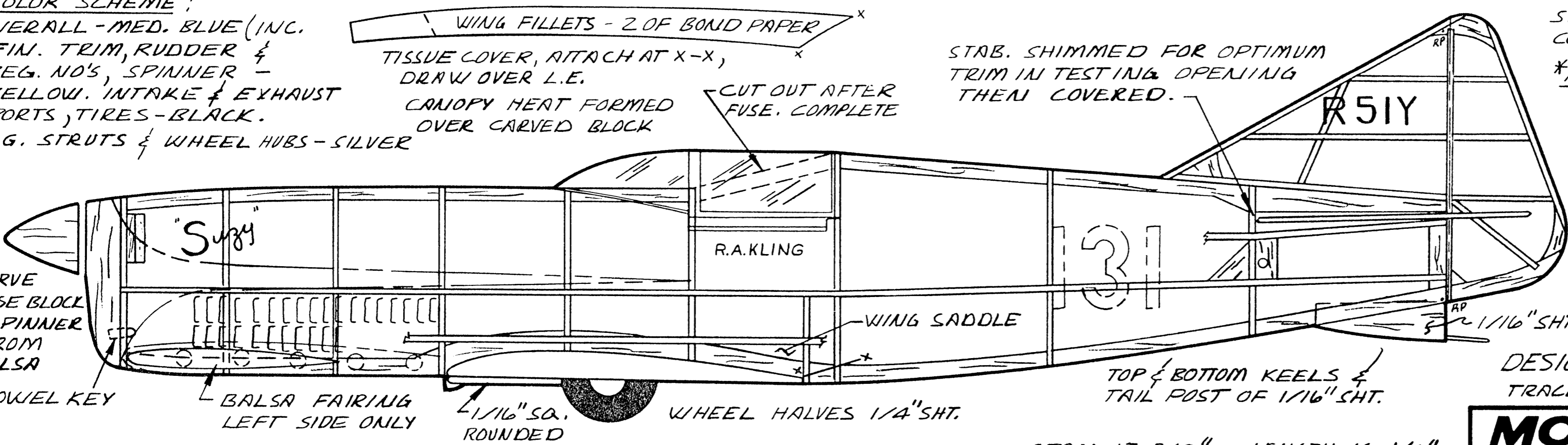
TAIL RIGGED W/ 2-4 LB. TEST MONOFILAMENT

COLOR SCHEME:
 OVERALL - MED. BLUE (INC. FIN. TRIM, RUDDER & REG. NO'S, SPINNER - YELLOW. INTAKE & EXHAUST PORTS, TIRES - BLACK. L.G. STRUTS & WHEEL HUBS - SILVER



STAB. SHIMMED FOR OPTIMUM TRIM IN TESTING. OPENING THEN COVERED.

STAB. & FIN & RUDDER CONSTRUCTED OF 1/16"
 *NOTE: ALL PARTS Balsa UNLESS OTHERWISE NOTED.



SPAN 17-5/8" LENGTH 16-1/8"

Rudy Kling's KEITH-RIDER R1

1936 NATIONAL AIR RACES

DESIGNED & DRAWN BY: TOM NALLEN
 TRACED FOR M.B. BY: S.A. PATTERSON

MODEL BUILDER magazine
 621 W. NINETEENTH ST.
 COSTA MESA, CALIF. 92627

Plan No: 3773

7-1/2" DIA. PROP USED ON ORIGINAL. SHIP TRIMMED TO FLY LEFT W/ APPROX. 2° LEFT THRUST & 5° DOWN THRUST. LEFT WING WASHED IN SLIGHTLY, TWEAK LEFT RUDDER TO FINE-TRIM LEFT CIRCLE