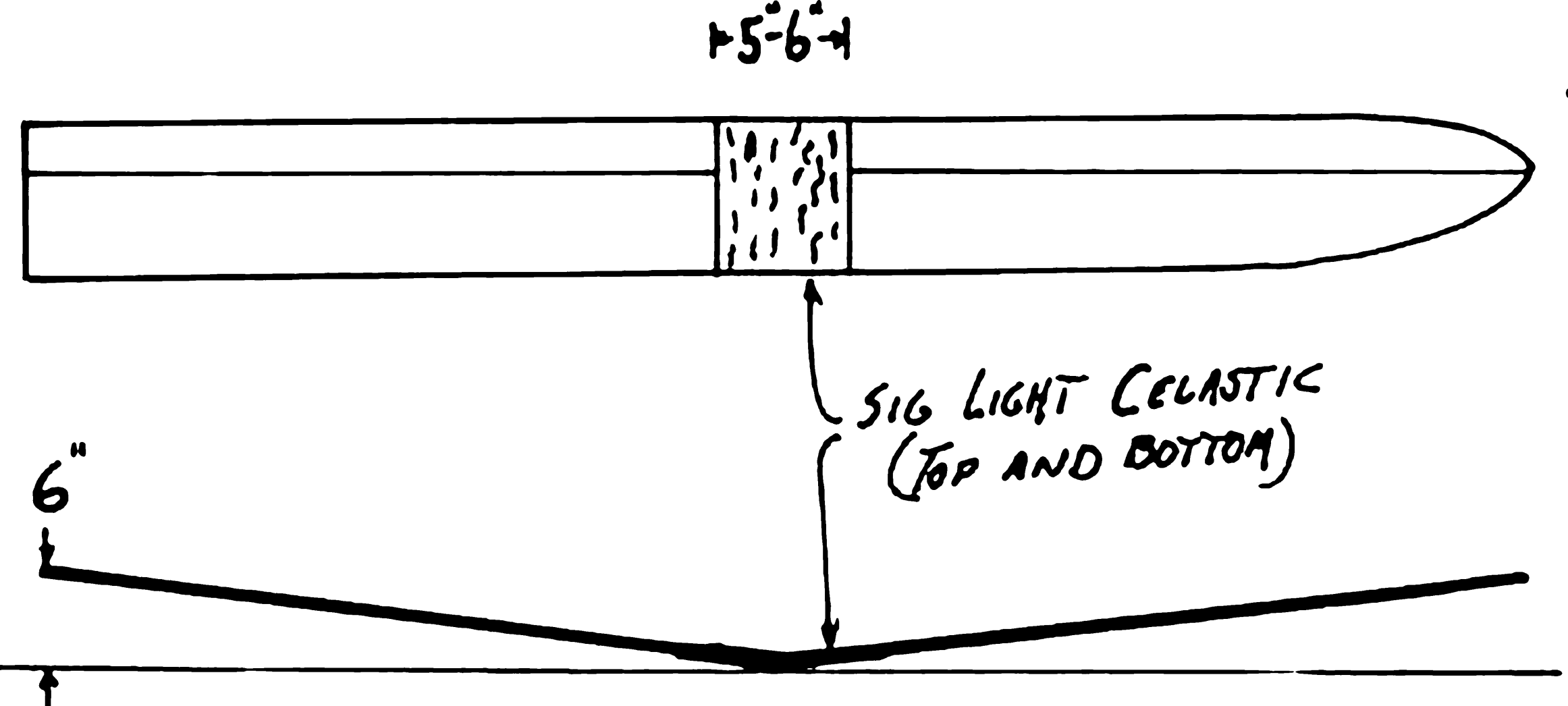
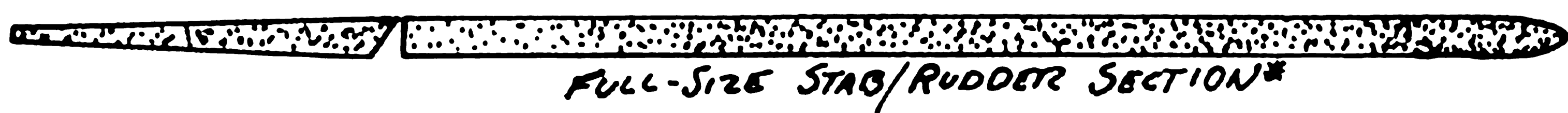
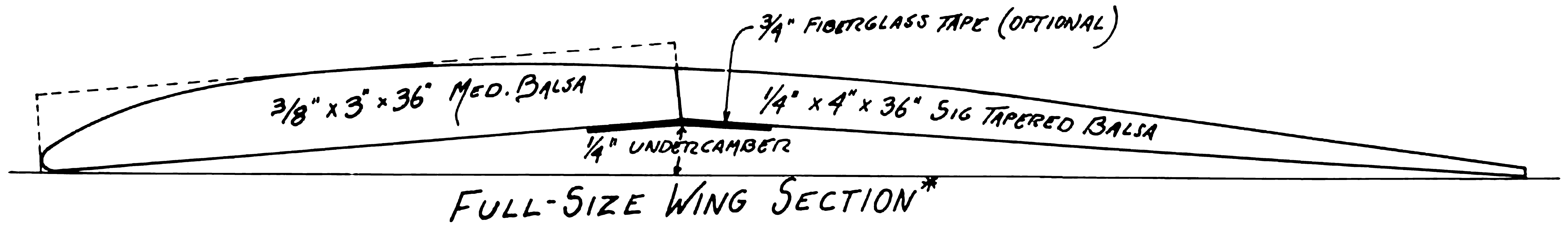
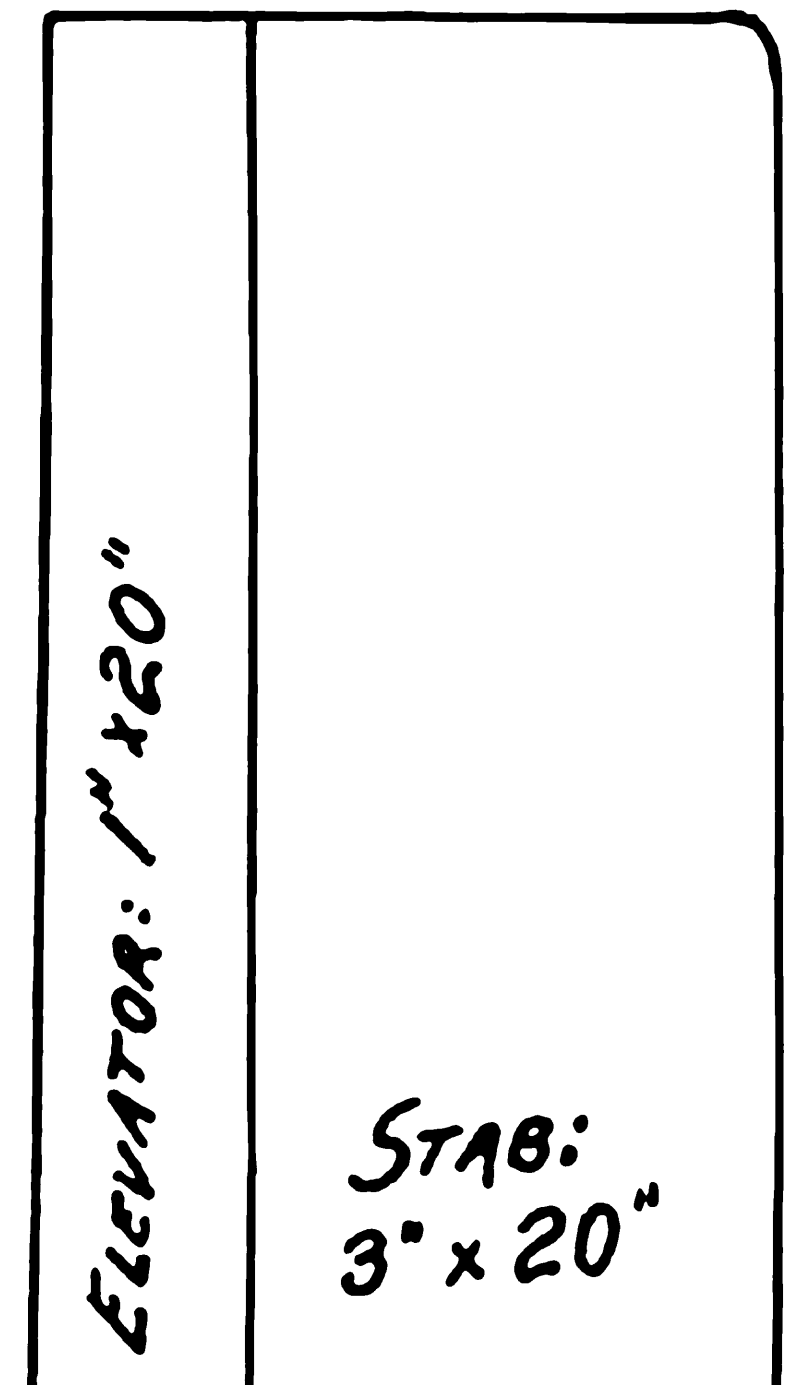
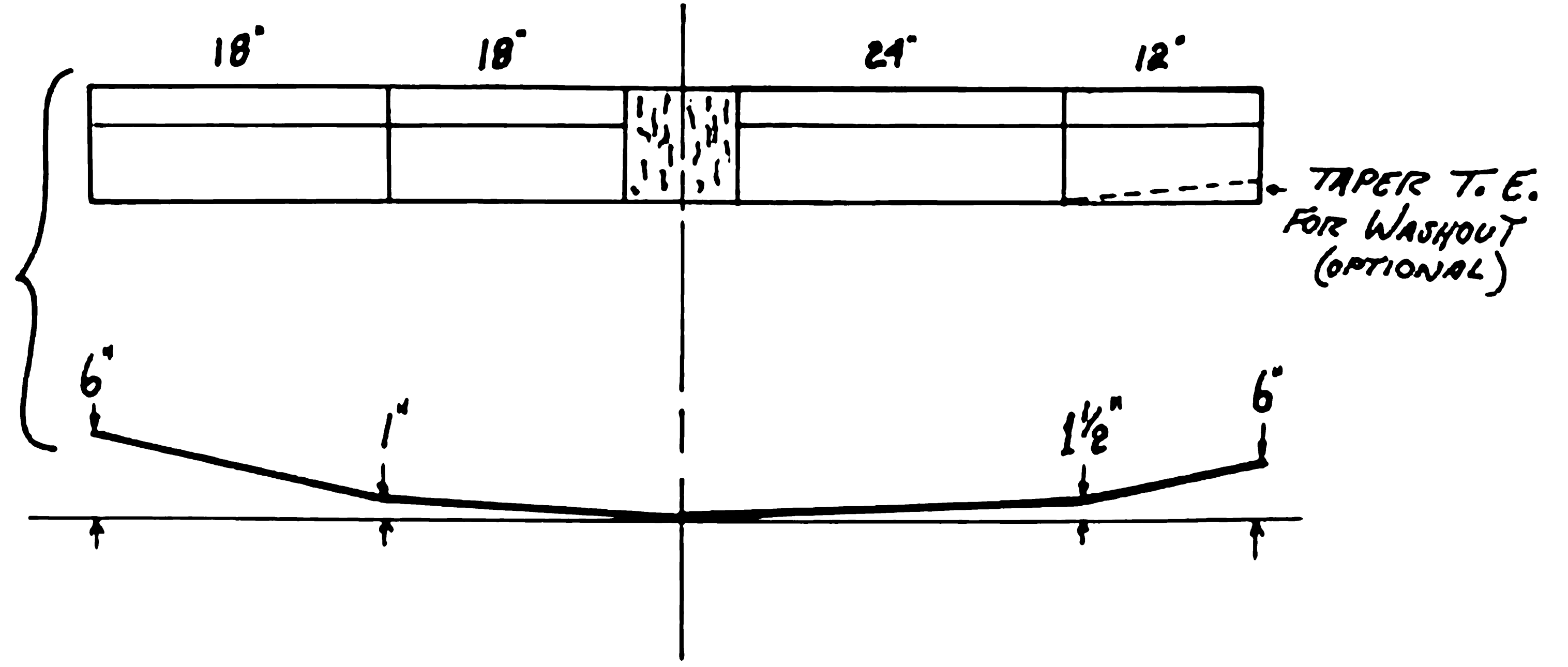


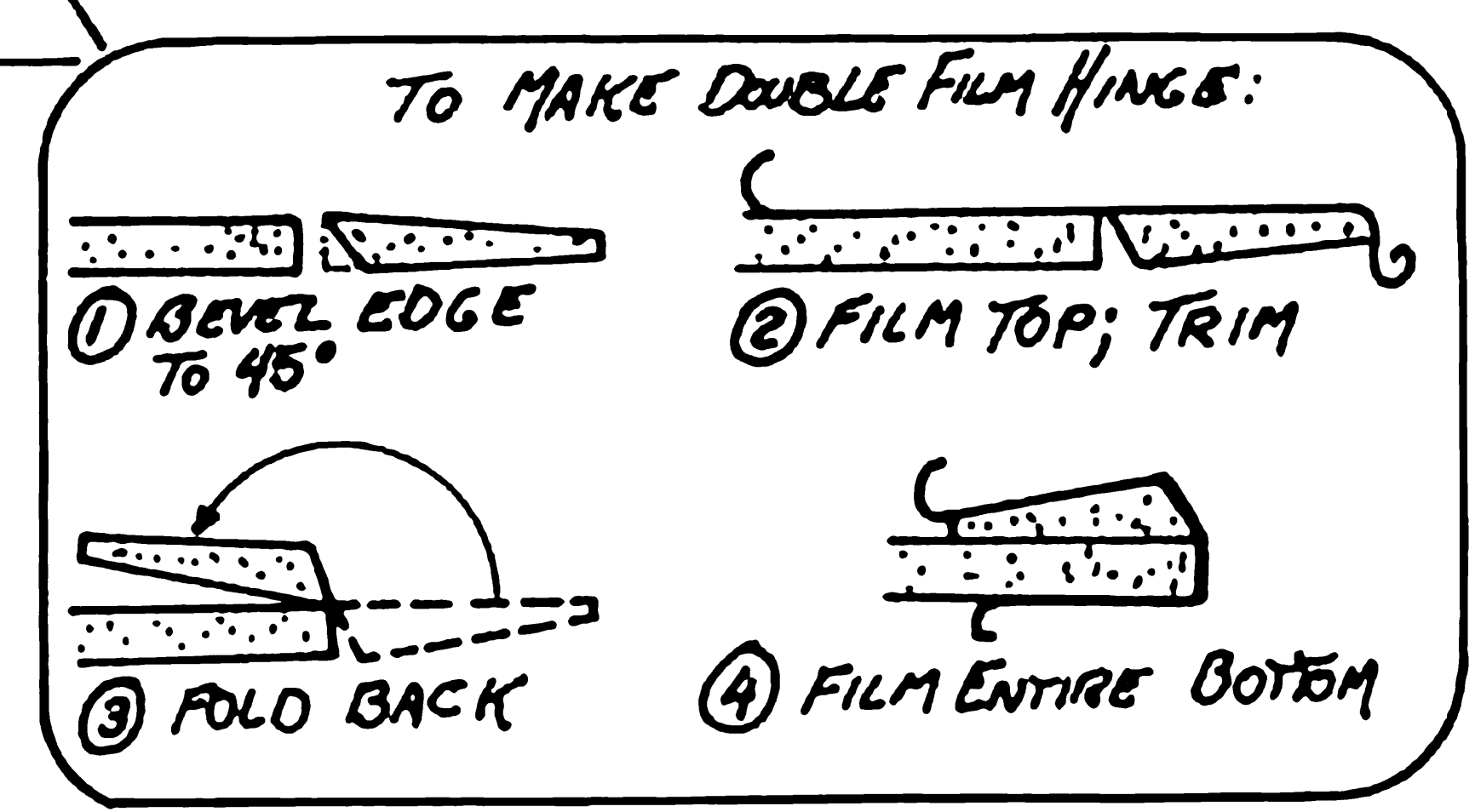
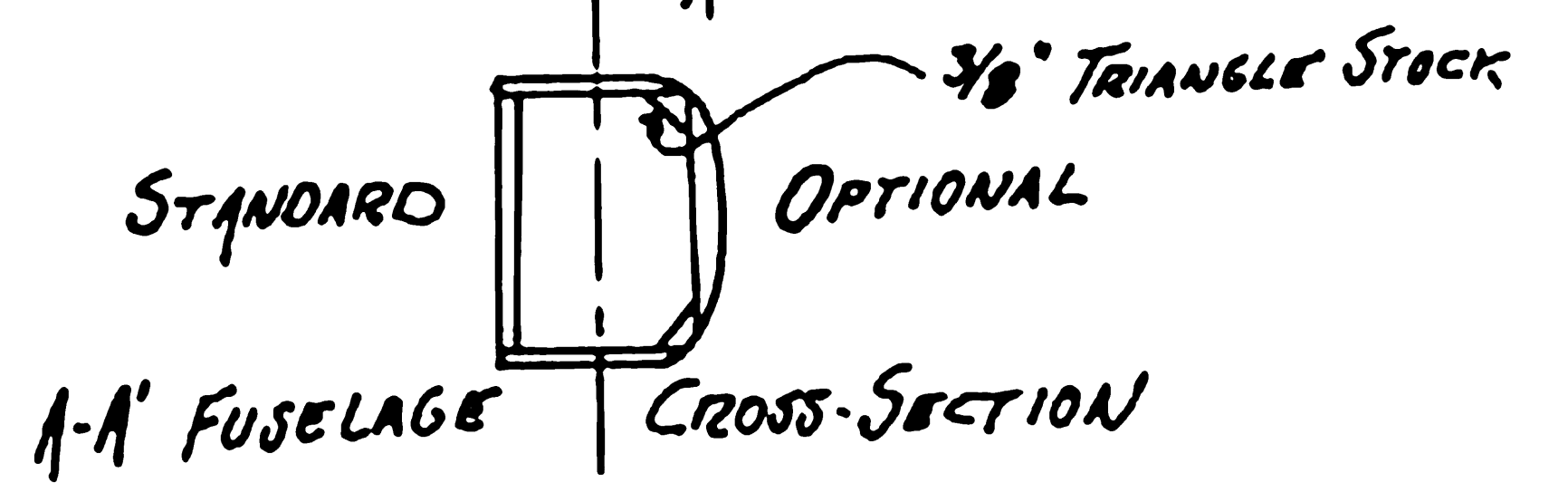
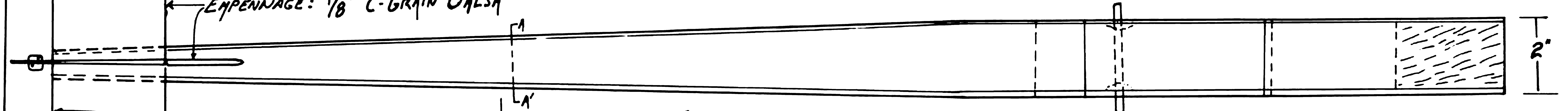
"HOLLYWOOD SQUARE"
 SPAN 72" AREA 500^{sq} Wt. 24-30 oz.
 A TWO-CHANNEL SAILPLANE
 YOU CAN BUILD AND FLY
 IN A WEEKEND!



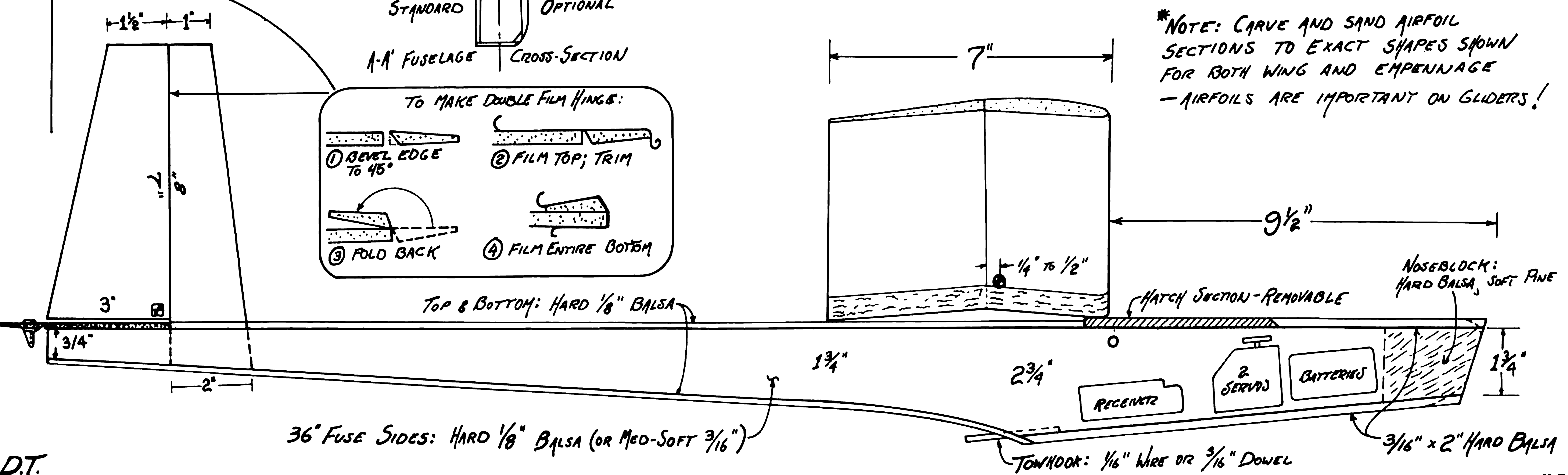
SOME DIHEDRAL AND WING TIP PLANFORMS TO CHOOSE FROM - NOT TO SCALE



EMPELLAGE: 1/8" C-GRAIN BALSA



*NOTE: CARVE AND SAND AIRFOIL SECTIONS TO EXACT SHAPES SHOWN FOR BOTH WING AND EMPENNAGE - AIRFOILS ARE IMPORTANT ON GLIDERS!

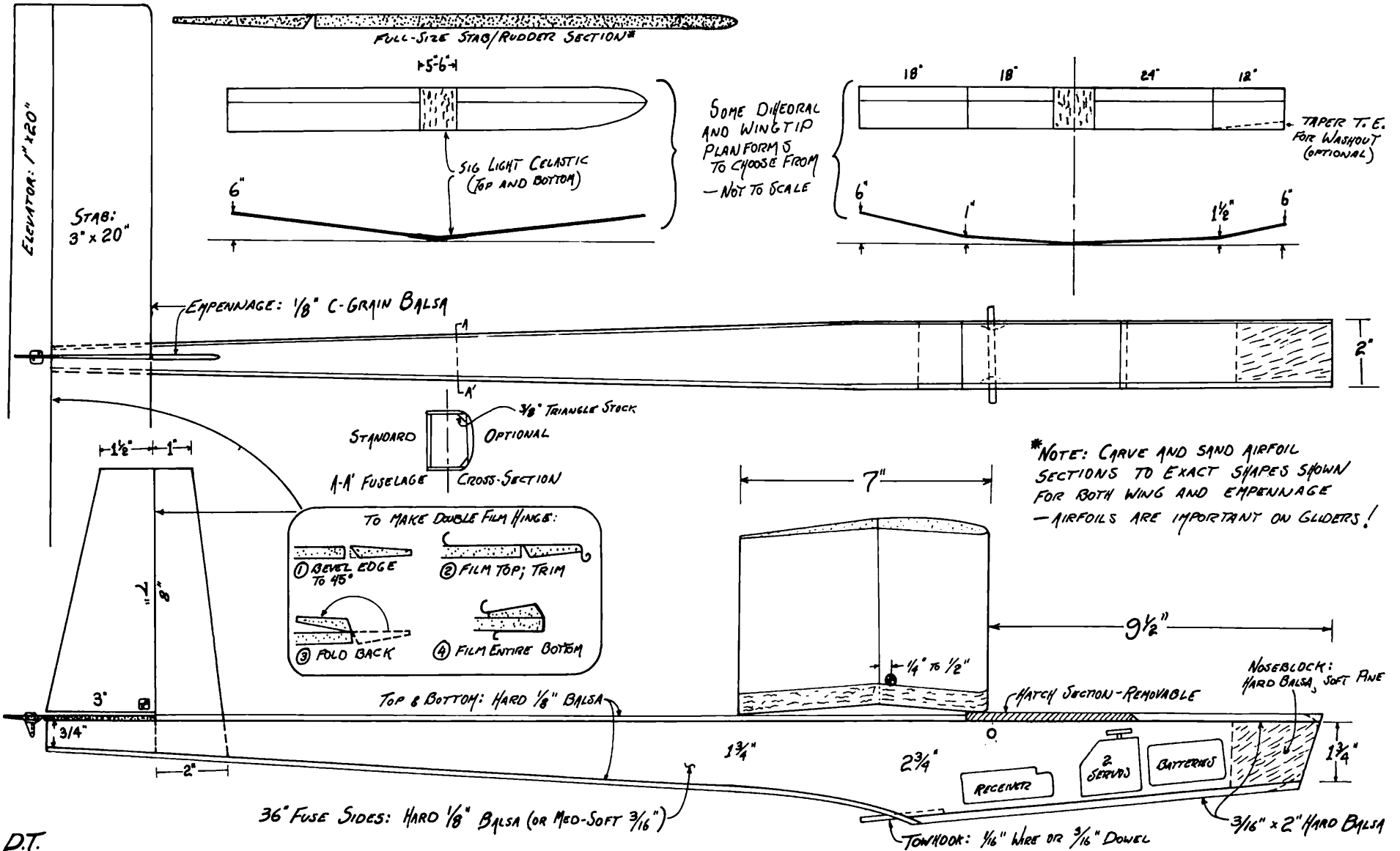
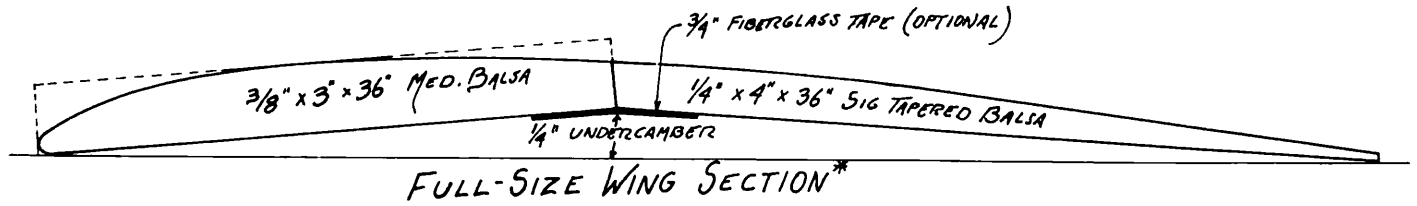


36" FUSE SIDES: HARD 1/8" BALSA (OR MED-SOFT 3/16")

D.T.

H.E.

"HOLLYWOOD SQUARE"
 SPAN 72" AREA 500" Wt. 24-30 oz.
 A TWO-CHANNEL SAILPLANE
 YOU CAN BUILD AND FLY
 IN A WEEKEND!



D.T.