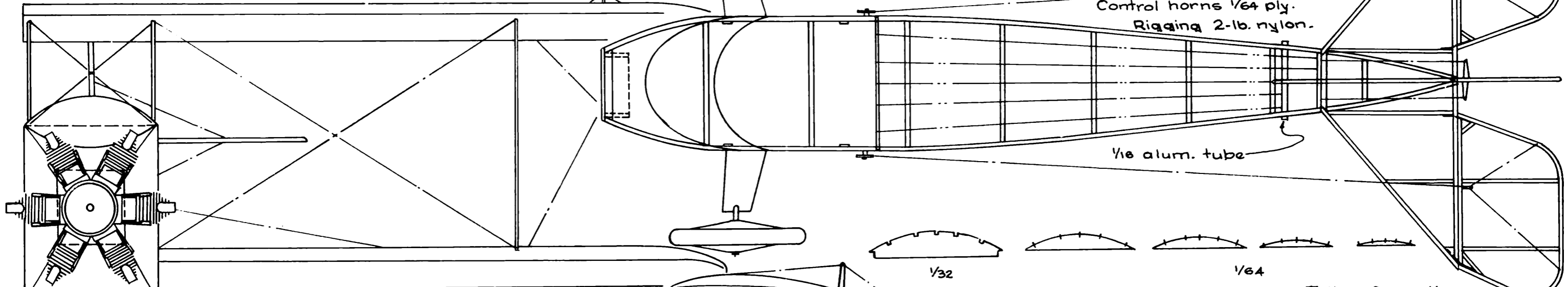
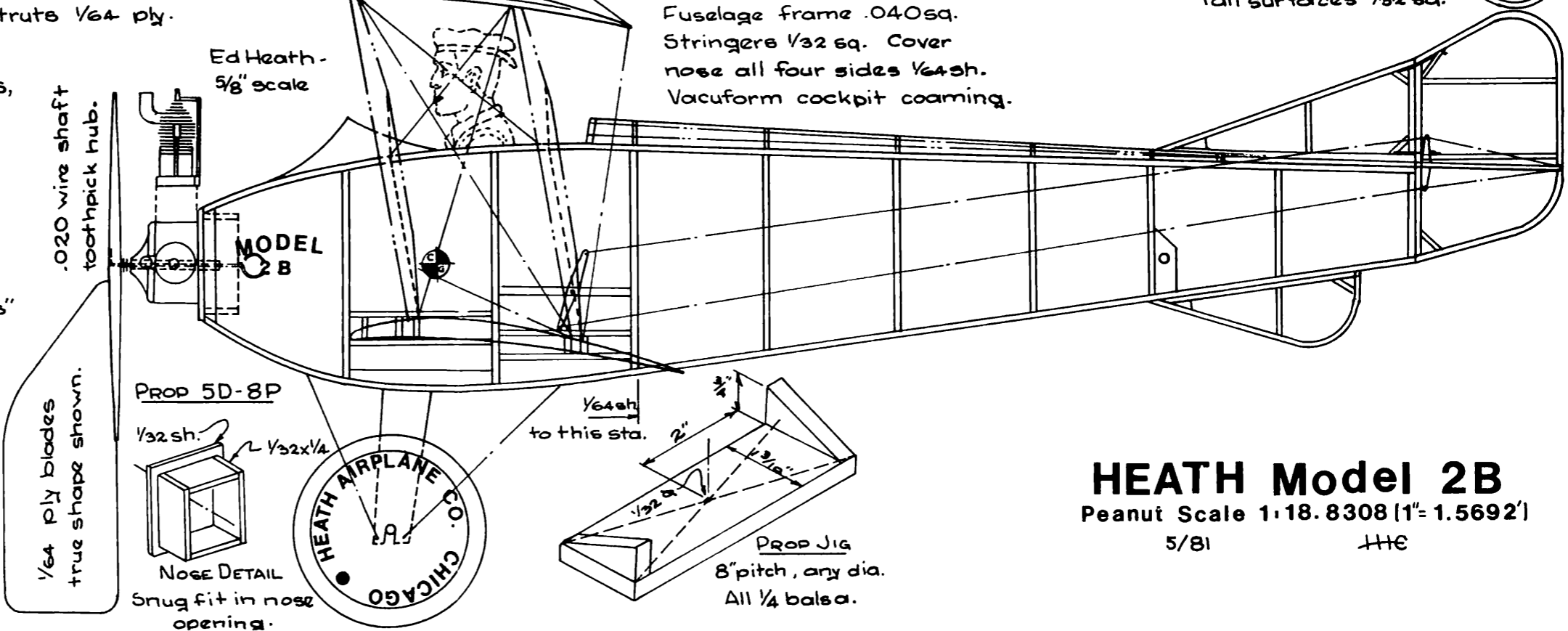


Wing tips three laminations 1/64 x 1/20. Bend cardboard form to approximate undercamber.



**CONSTRUCTION NOTES:**  
 Ailerons & center-section ribs top wing only, shown dashed lines. Double ribs top & bottom lower wing roots. Remove lower wing center-section, leaving 1/16" stubs on spars & leading edge to fit into fuselage pockets.  
 Cover with pre-shrunk condenser tissue. Structure shown for indoor flying. Wood sizes shown should be increased & doped Japanese tissue used outdoors.  
 Anzani 6-cyl. engine. Use 1/2" scale plastic dummy cylinders or thread-wrapped balsa dowels. Crankcase turned styrofoam. Refer to Mooney's drawing & photos in May '81 "RC Model Builder" for details.



**HEATH Model 2B**  
 Peanut Scale 1:18. 8308 (1"=1.5692")  
 5/81 HHC