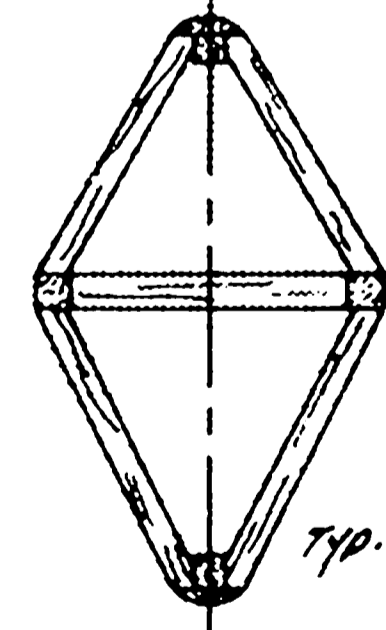
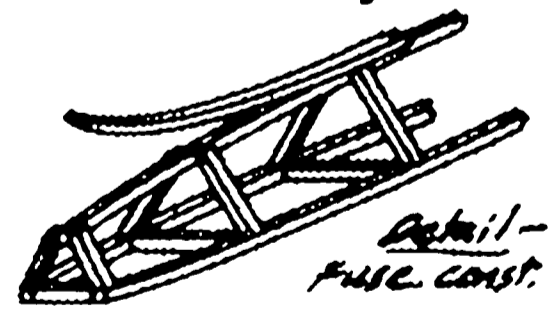


Uprights - 1/8" sq soft
2 each row, except
27 & 28 - 4 each row.



Tip section



Detail - Fus. const.

*Note: All parts balsa unless otherwise noted.

SPAN = 24"
AREA = 120 sq. in.
WT = 6 oz.

HALF-PINT

Designed by: Louis Garami
Published in July 1940 Air Trails
Drawn in ink by: Al Pittman

MODEL BUILDER magazine

Plan No: 1181-O.T.

