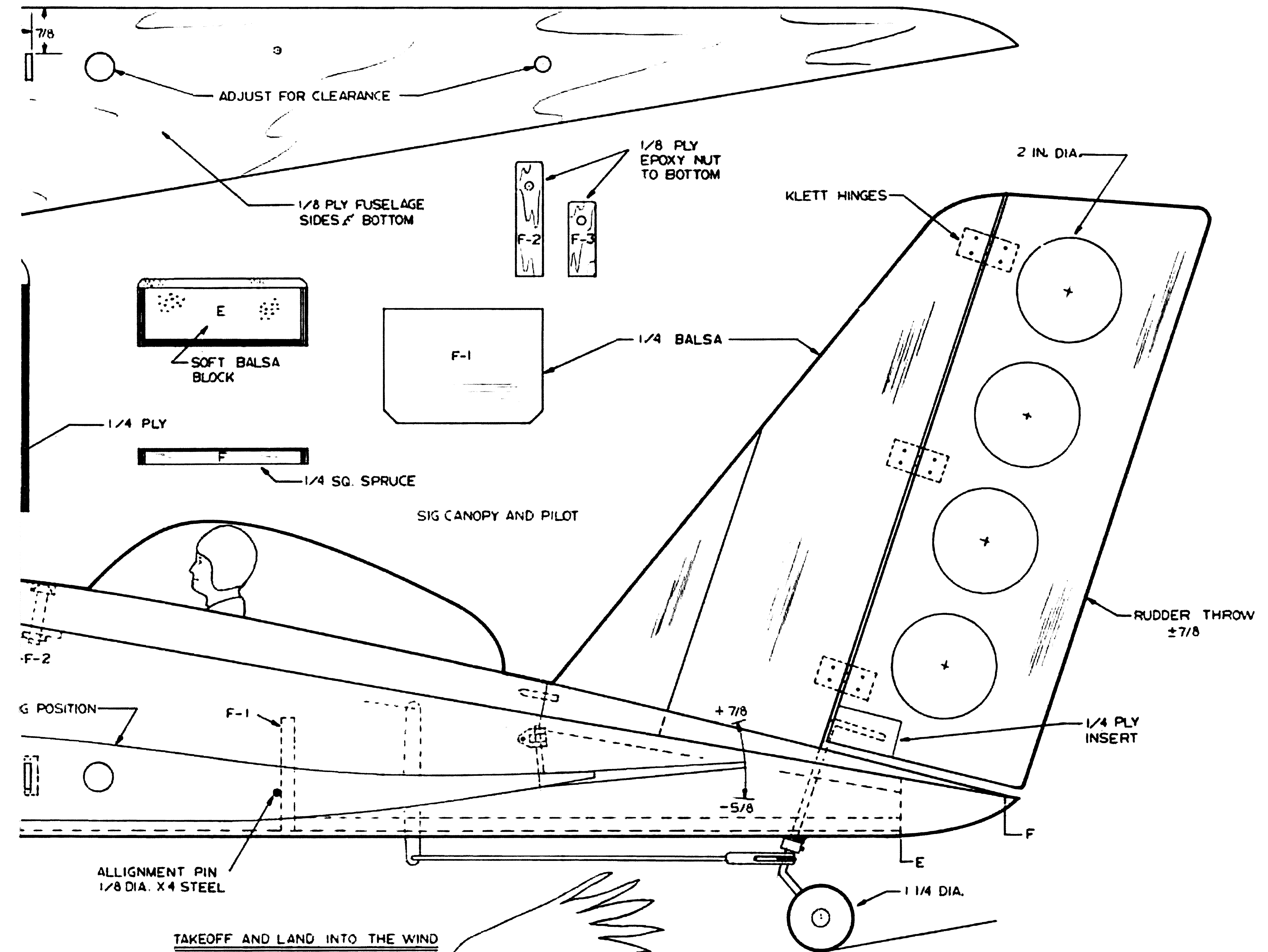


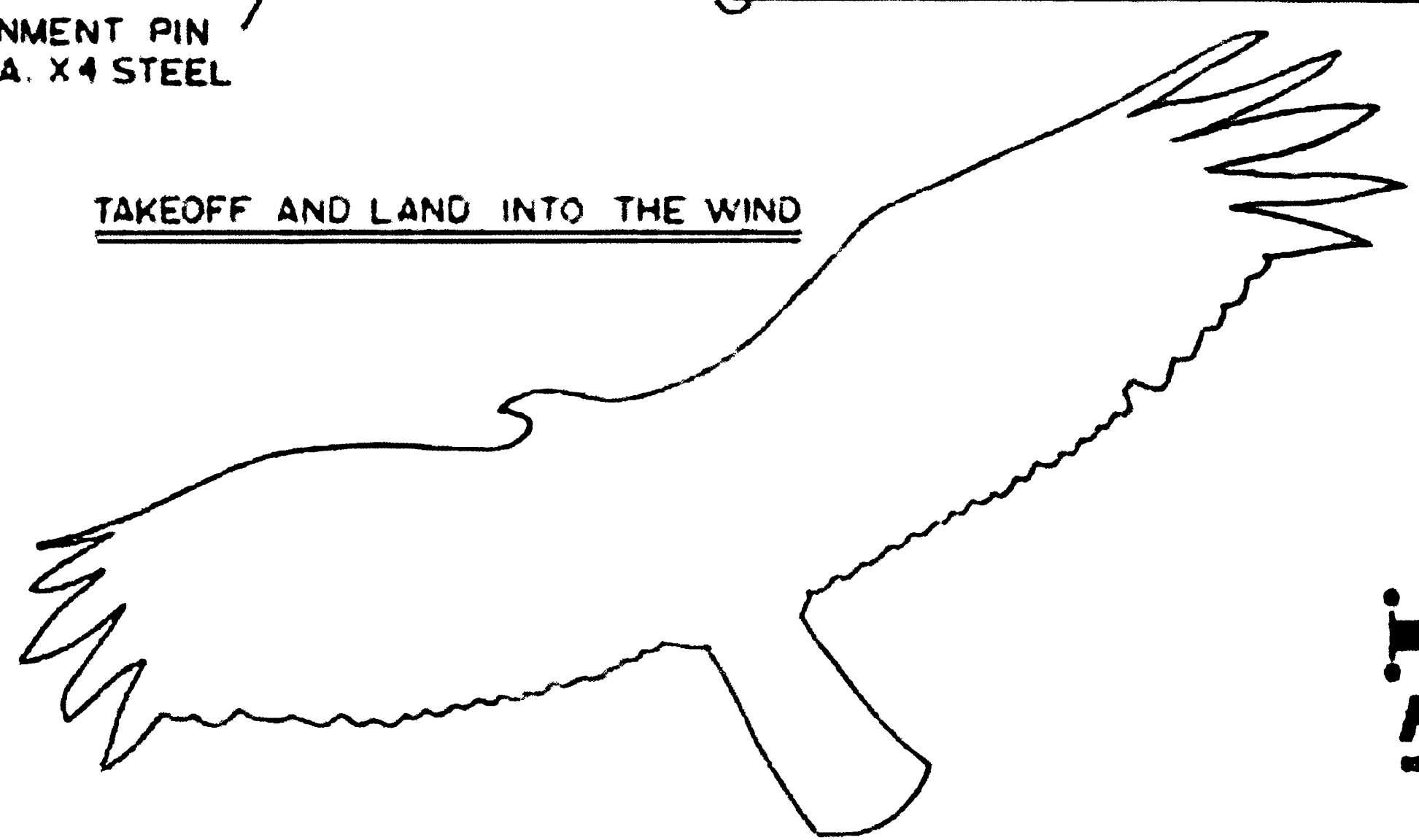
ENYA 60 WITH KRAFT MOTOR MOUNT TILTED TO PROVIDE MUFFLER CLEARANCE

LANDING GEAR AND HATCHES SECURED WITH 3/16 NYLON BOLTS



IRE
EEN
RS

TAKEOFF AND LAND INTO THE WIND



MODEL BUILDER magazine
Plan No: 2796-A

WEIGHT 9 LBS. SHEET 1-3
SPAN 101 3/8 AREA 1774
DESIGNED & DRAWN BY
C. CLEMANS

GROSS VOGL II

MAY 1978

H.E

