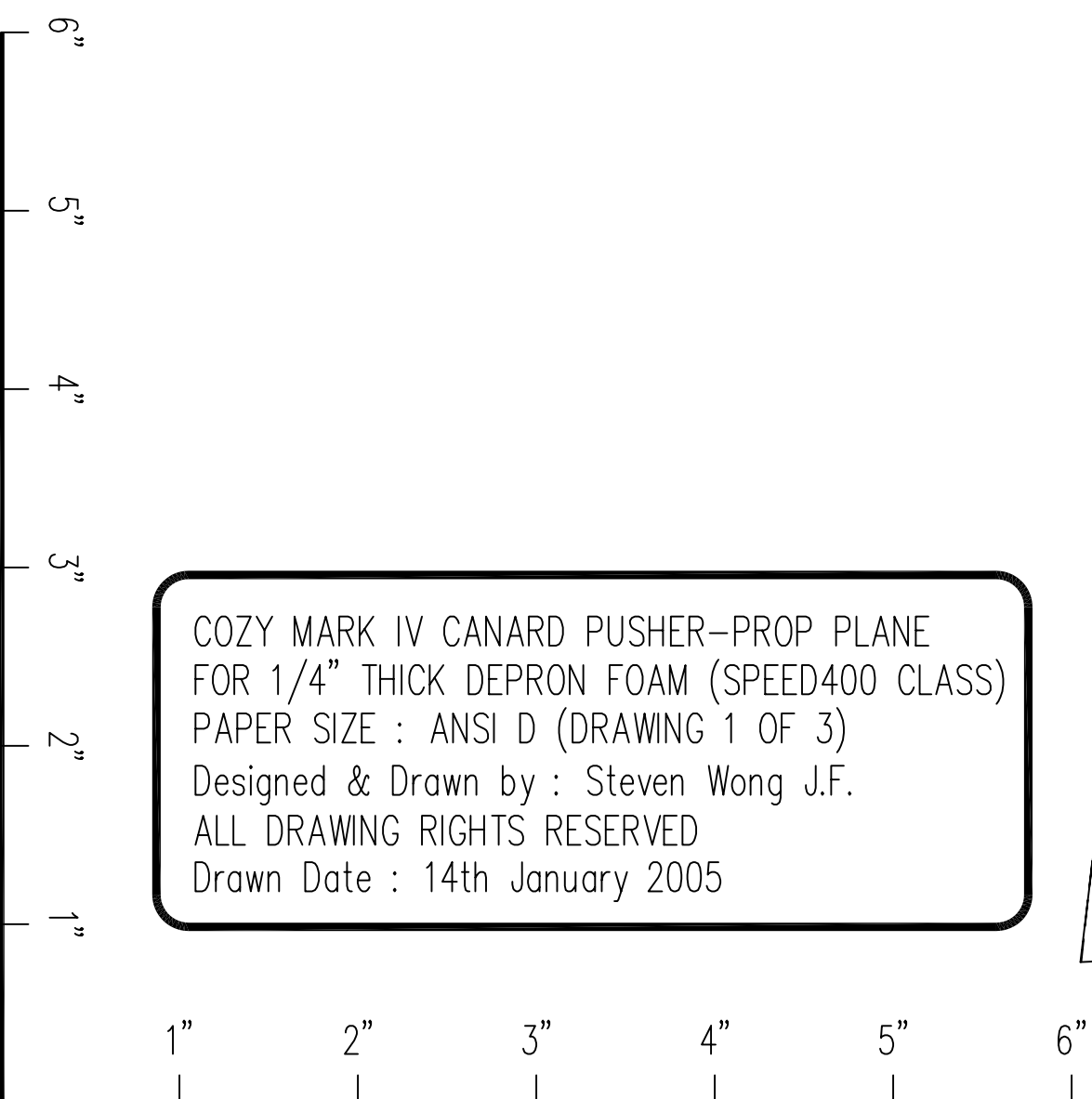
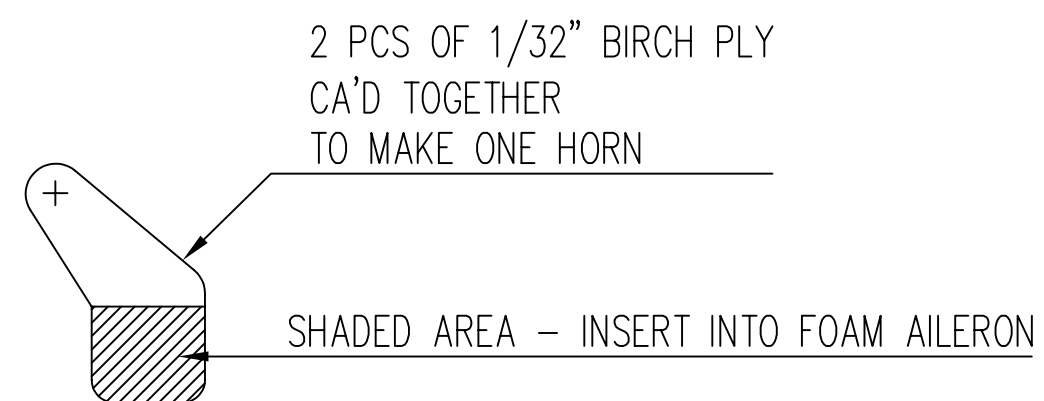
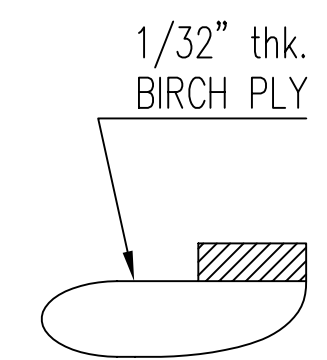
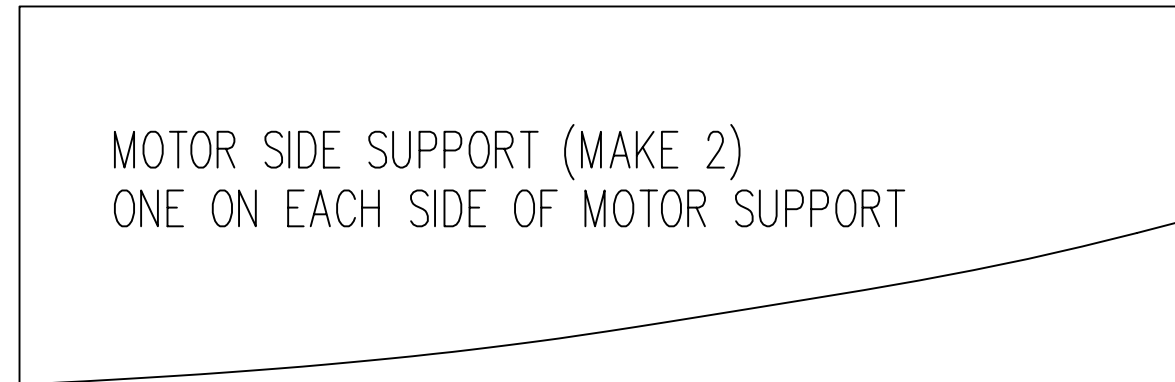
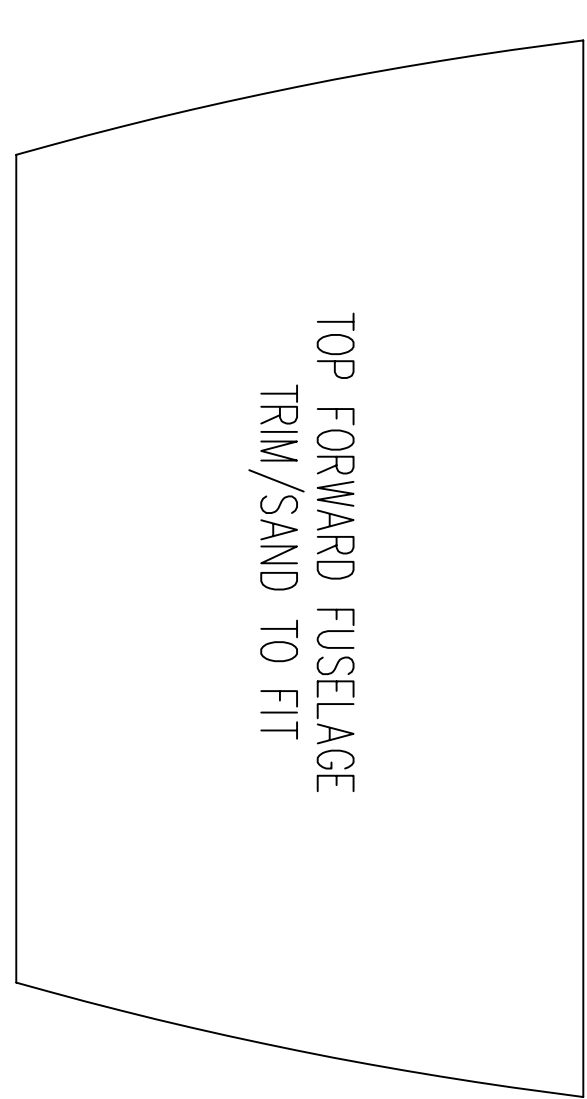


COZY MARK IV CANARD PUSHER-PROP PLANE  
 FOR 1/4" THICK DEPRON FOAM (SPEED400 CLASS)  
 PAPER SIZE : ANSI D (DRAWING 1 OF 3)  
 Designed & Drawn by : Steven Wong J.F.  
 ALL DRAWING RIGHTS RESERVED  
 Drawn Date : 14th January 2005

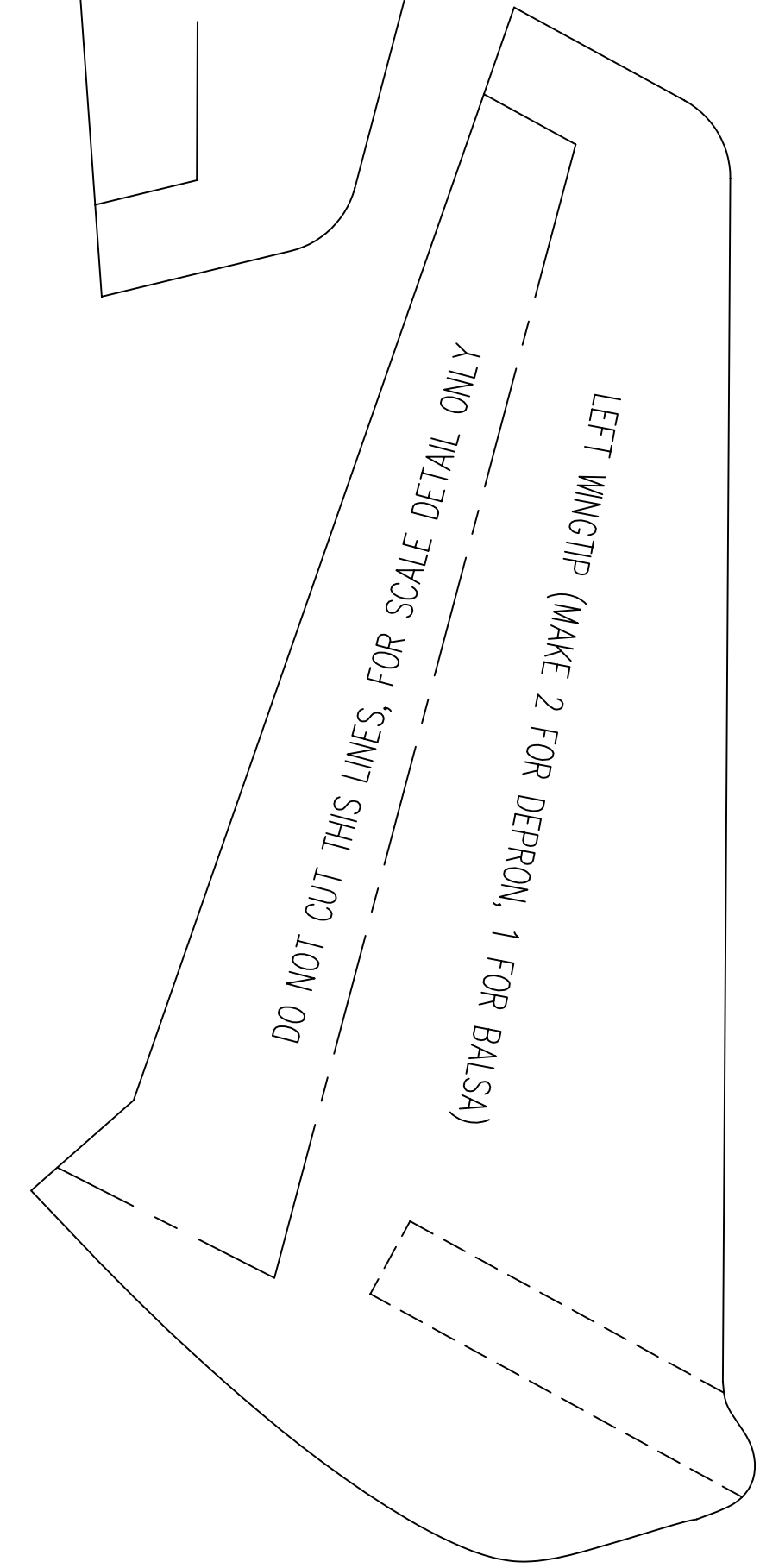
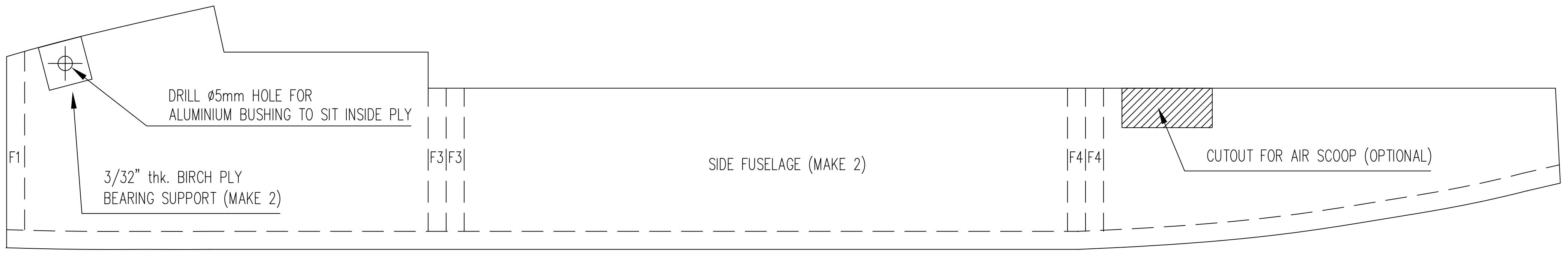
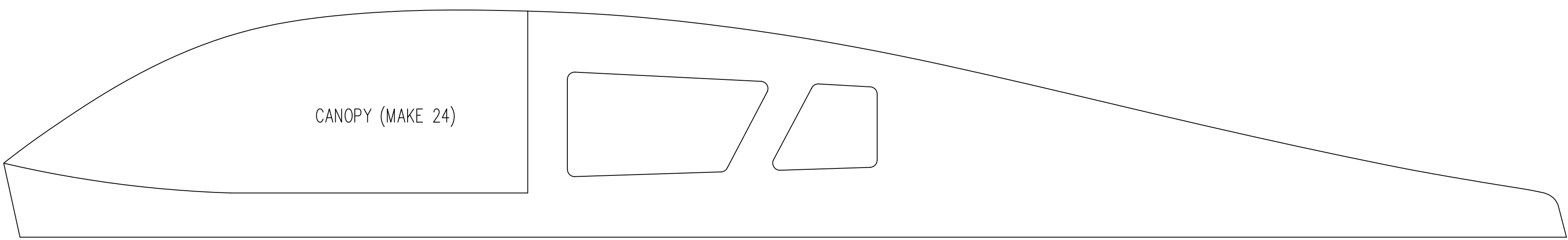
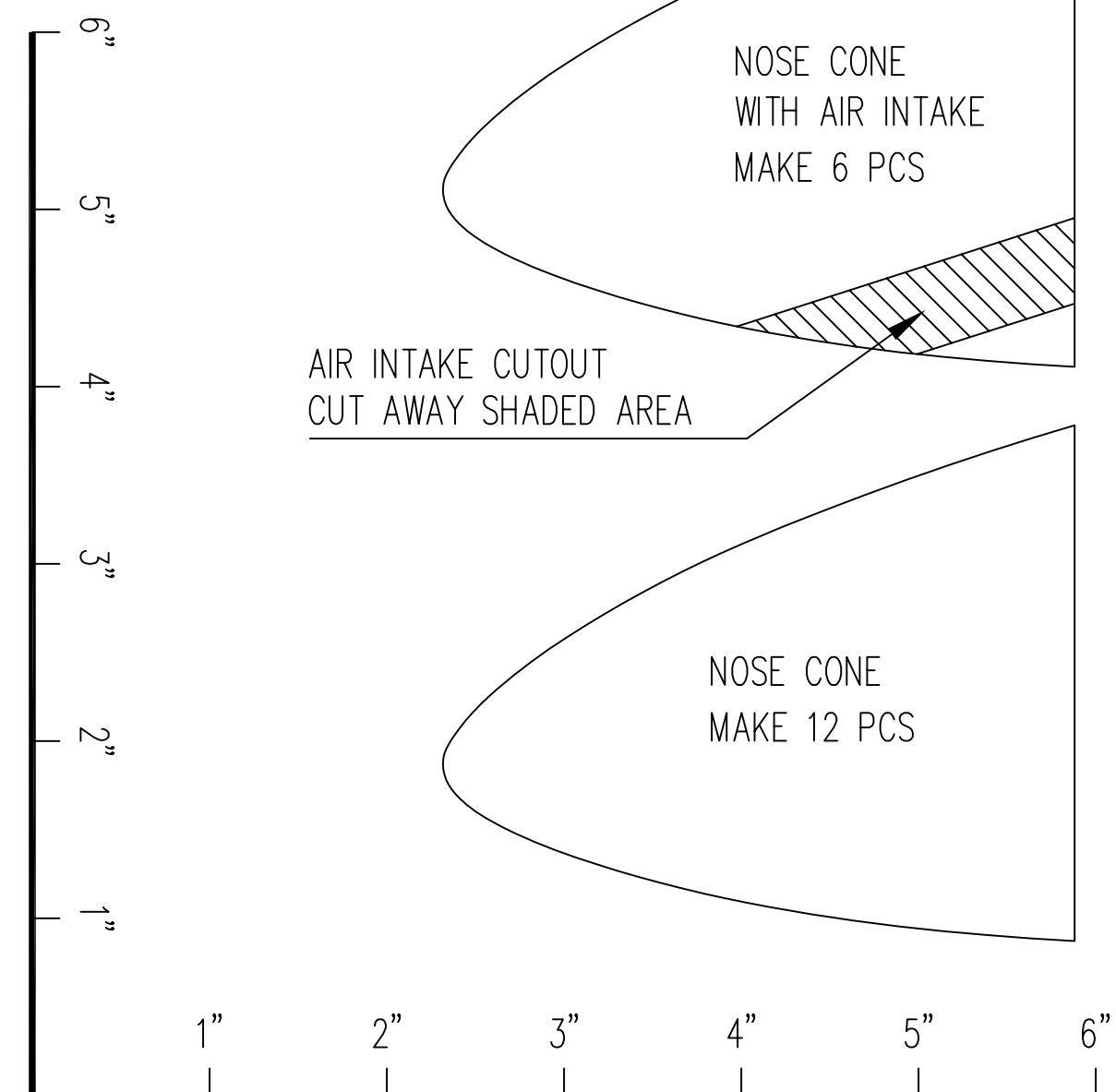
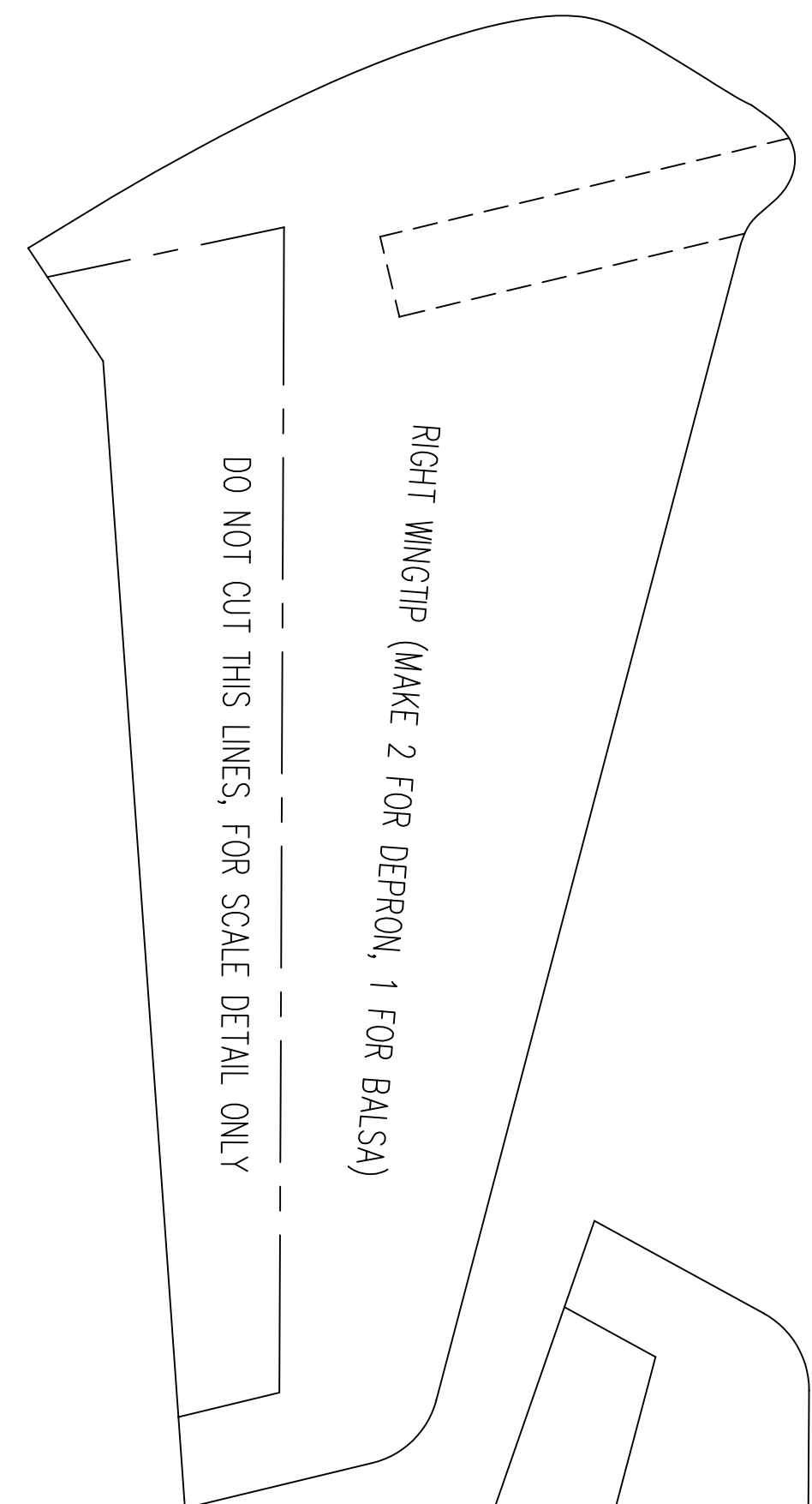
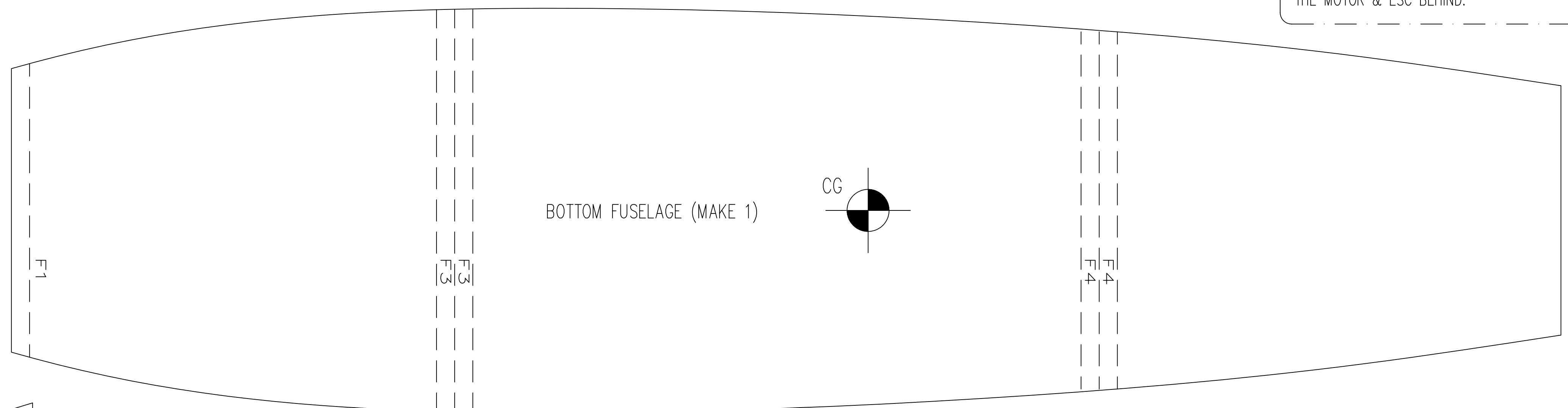
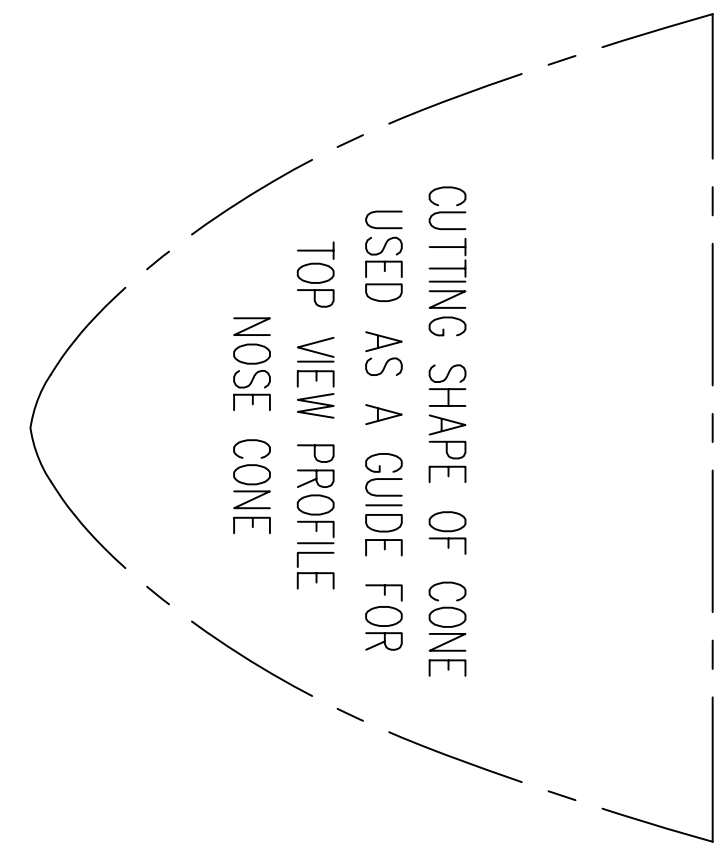
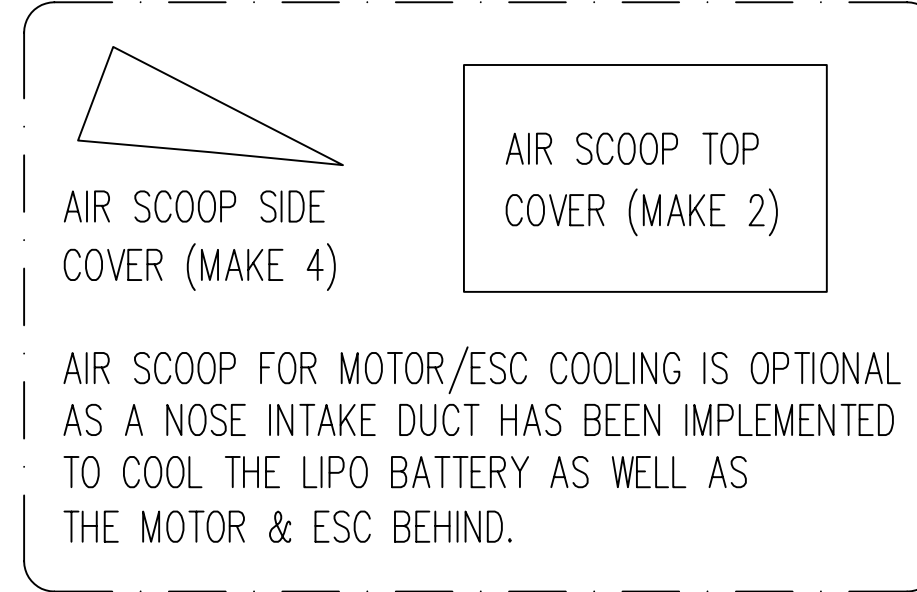
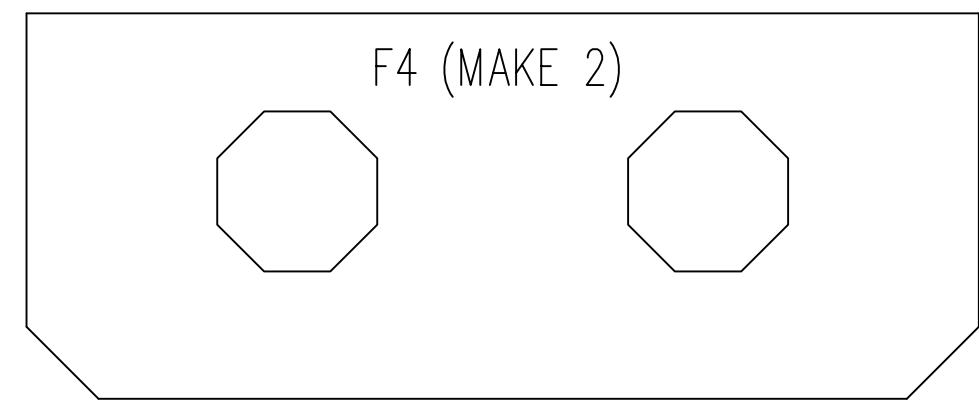
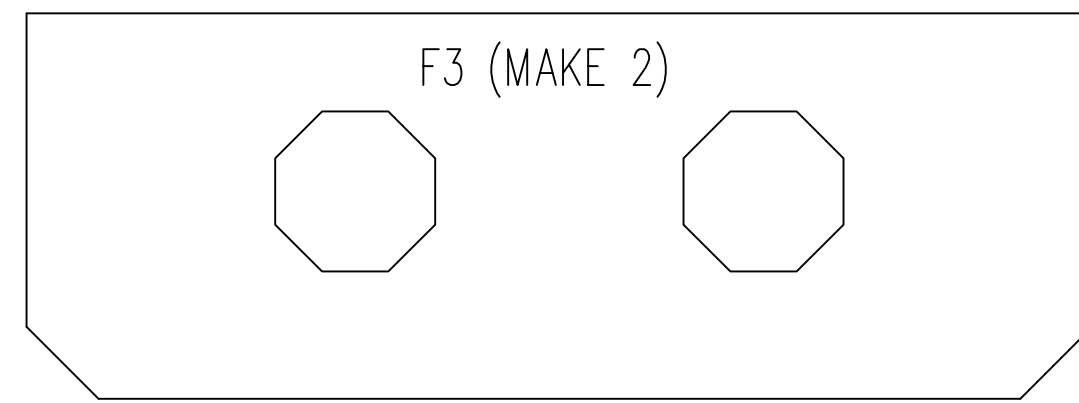
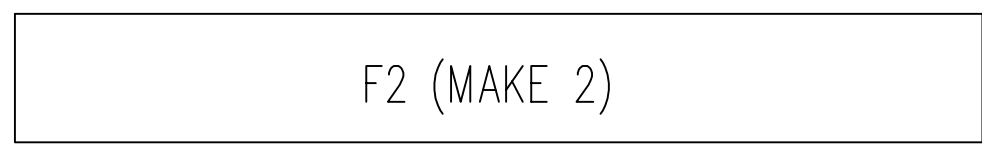
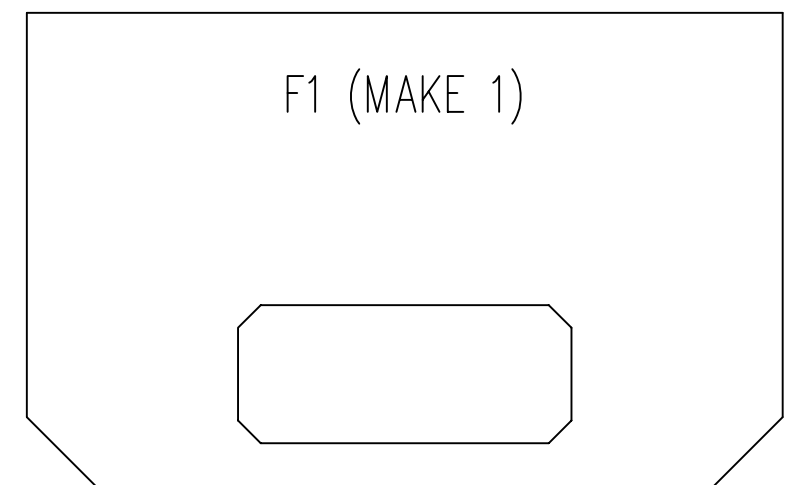
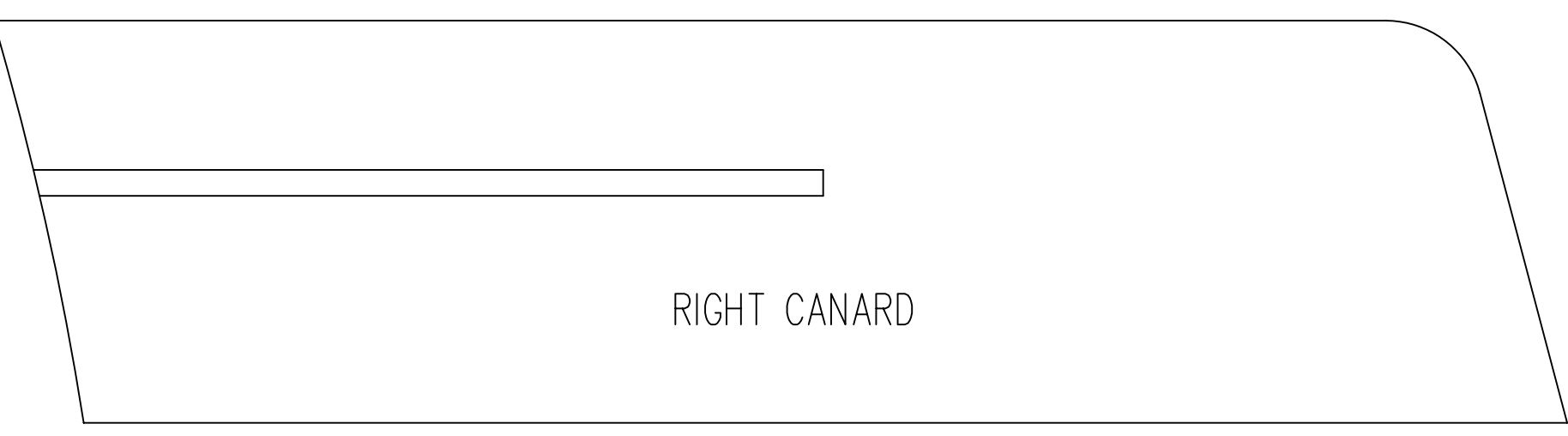
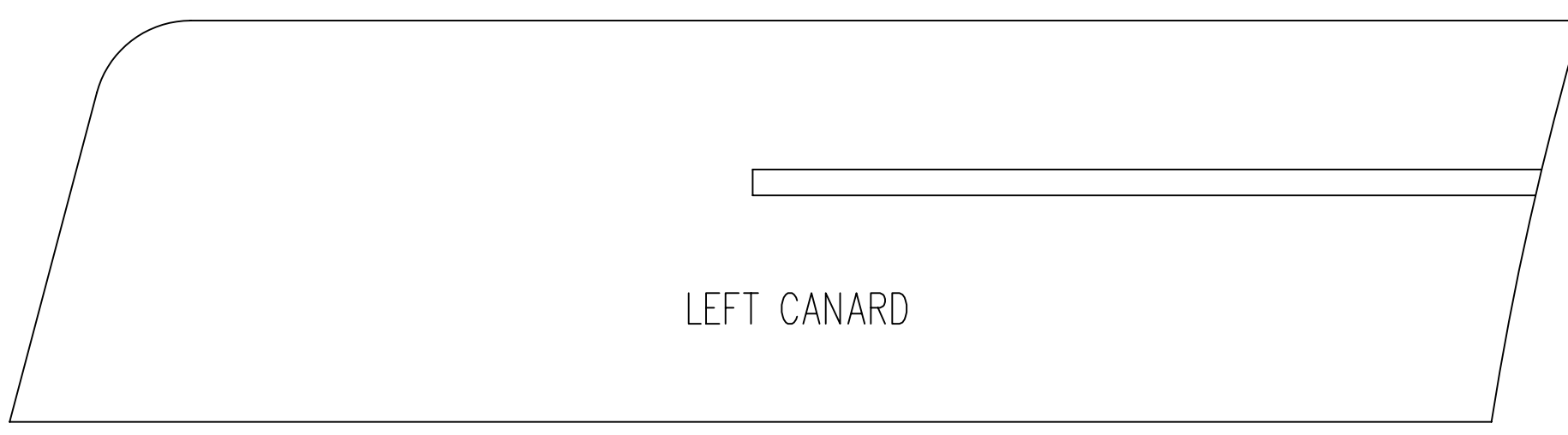


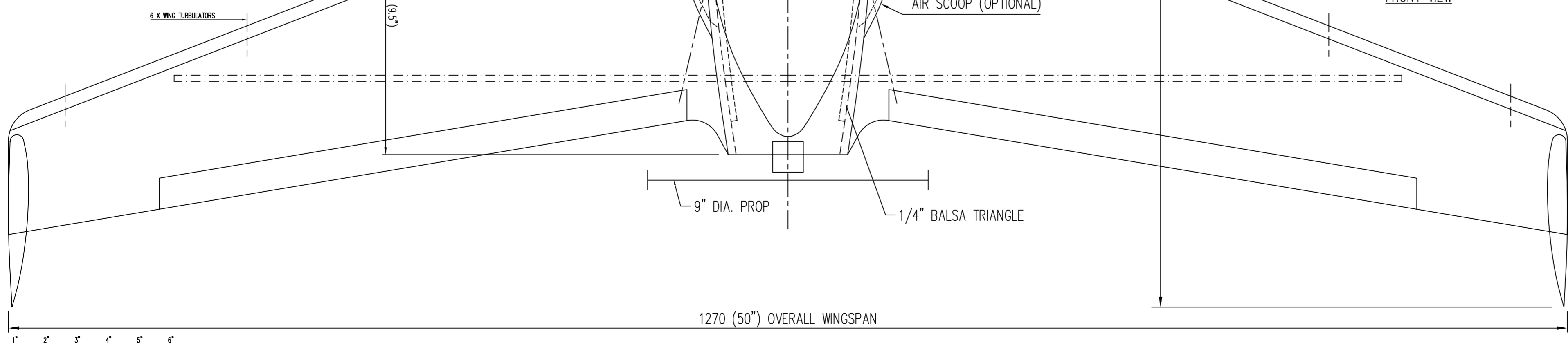
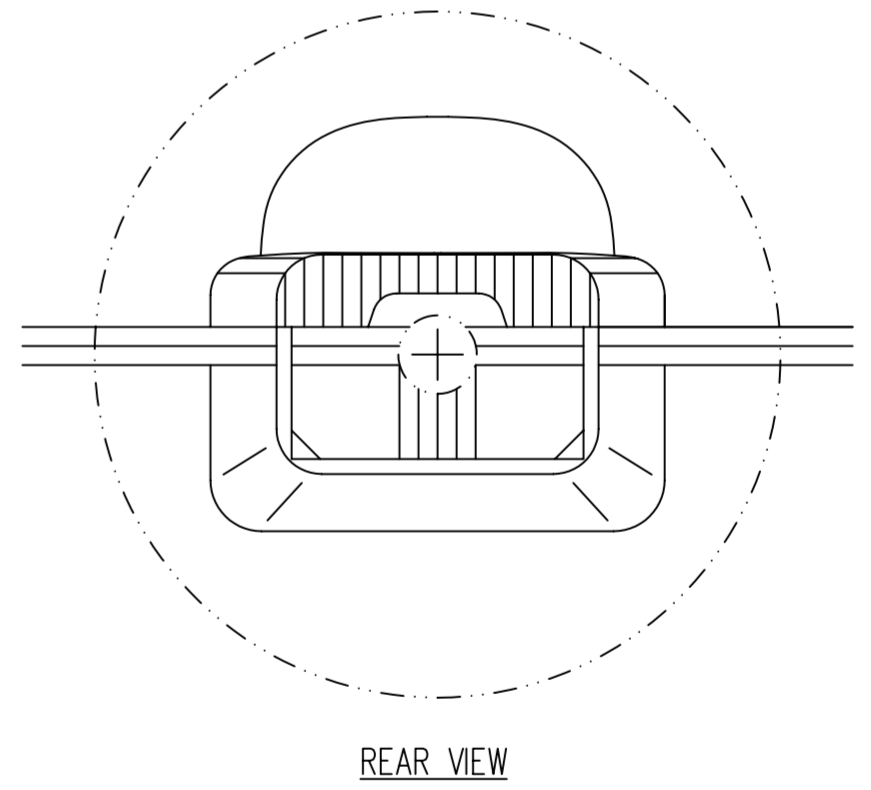
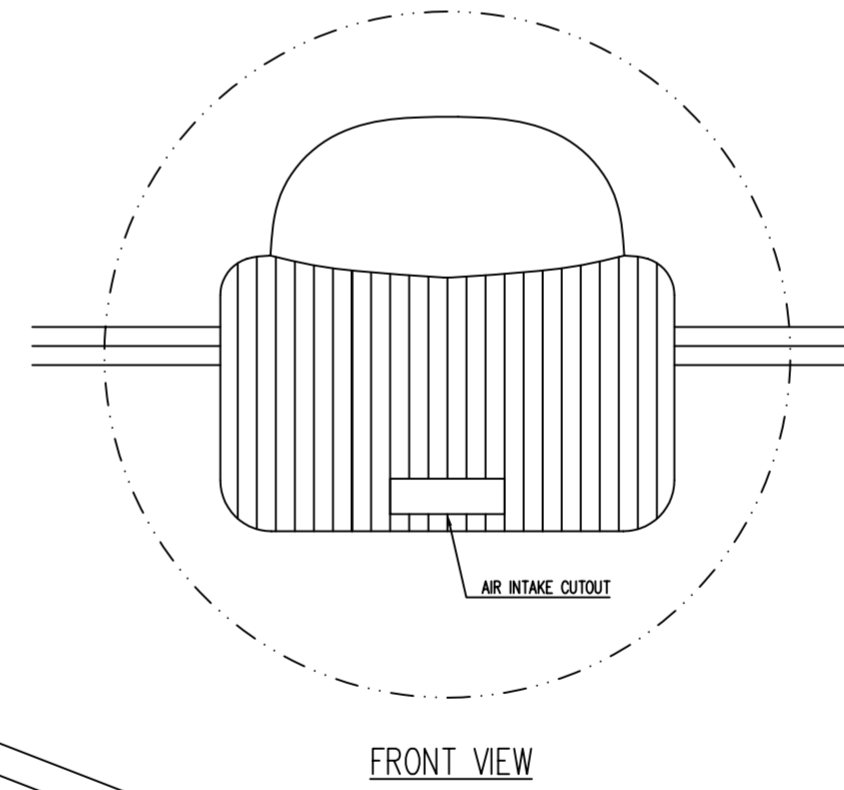
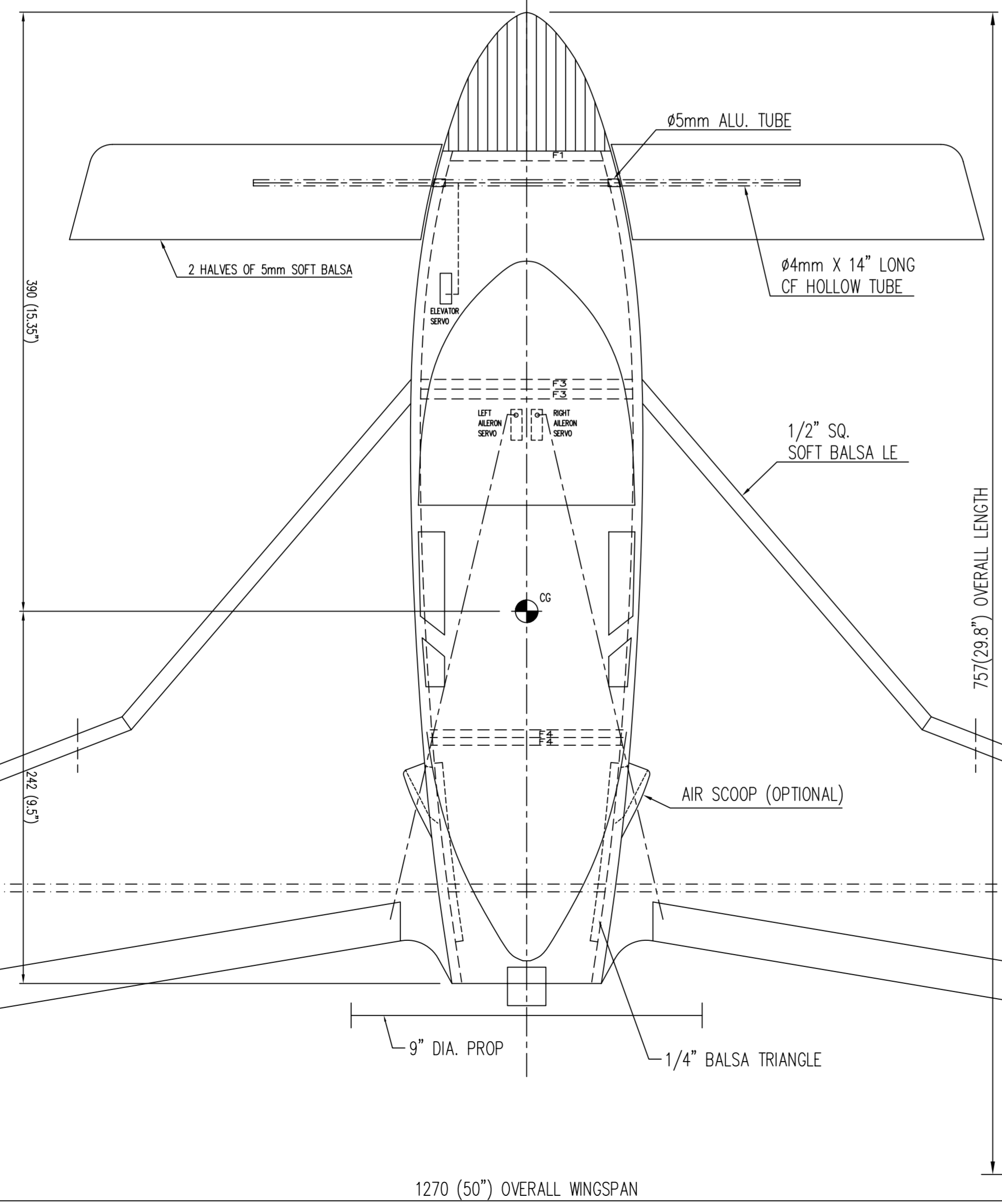
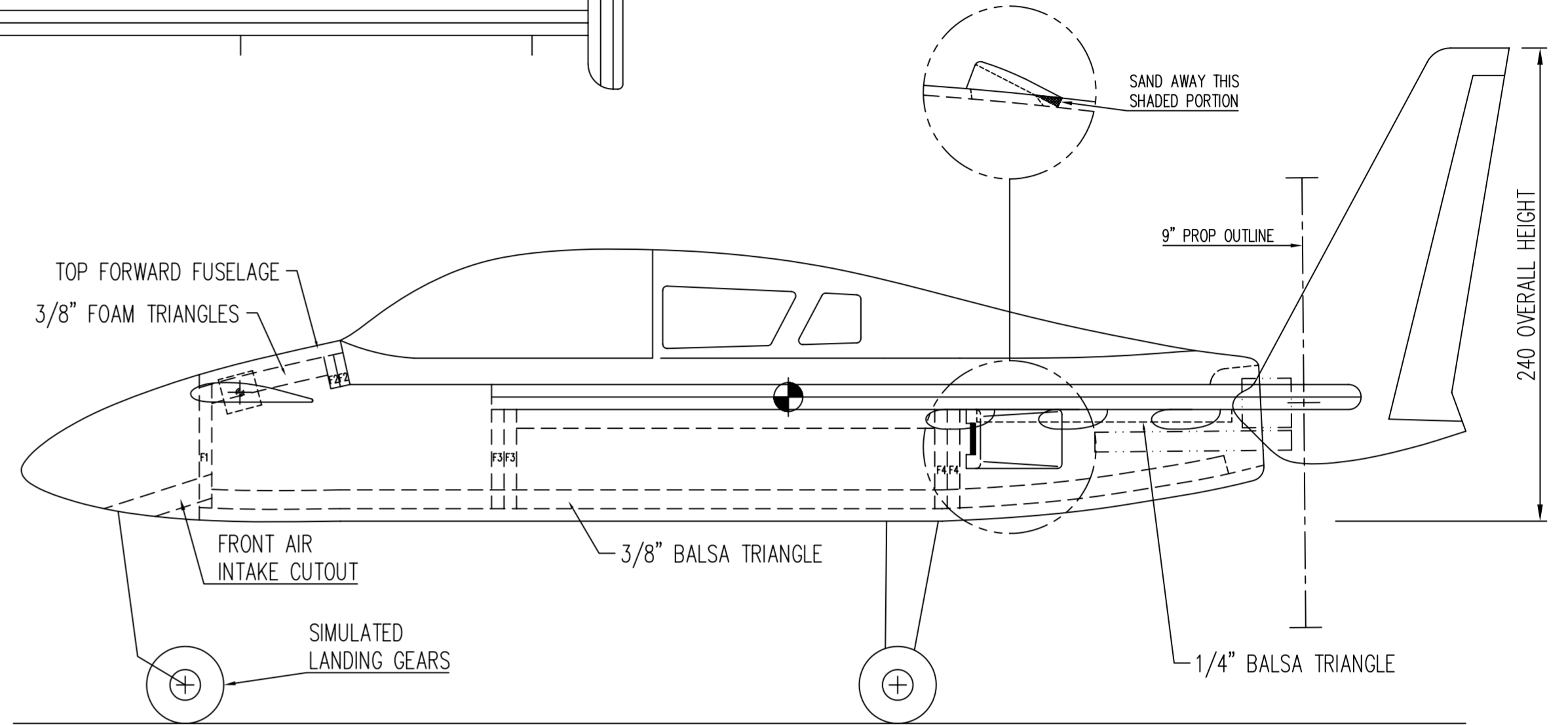
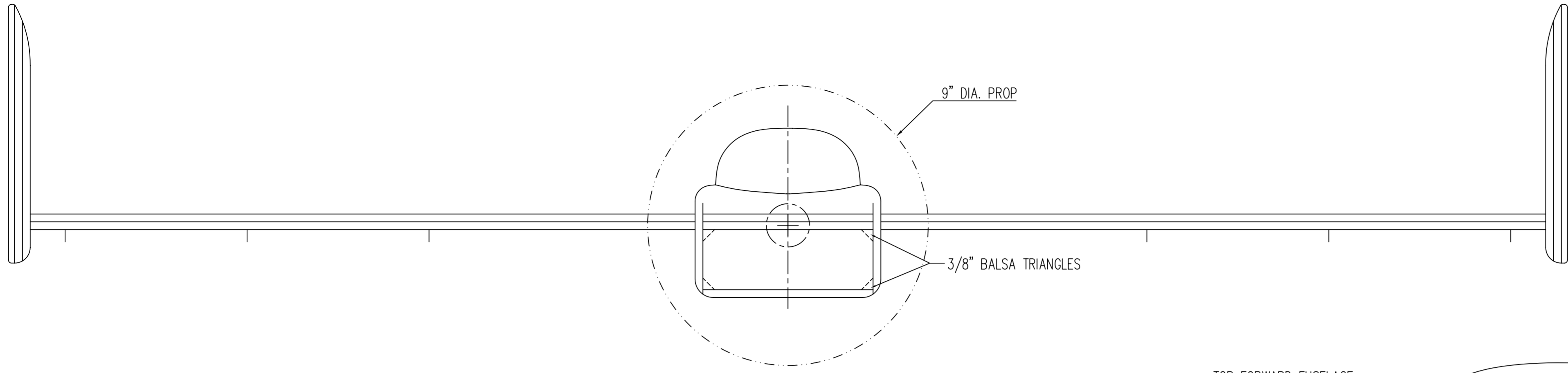
COZY MARK IV CANARD PUSHER-PROP PLANE  
 FOR 1/4" THICK DEPRON FOAM (SPEED400 CLASS)  
 PAPER SIZE : ANSI D (DRAWING 2 OF 3)  
 Designed & Drawn by: Steven Wong J.F.  
 ALL DRAWING RIGHTS RESERVED  
 Drawn Date : 14th January 2005



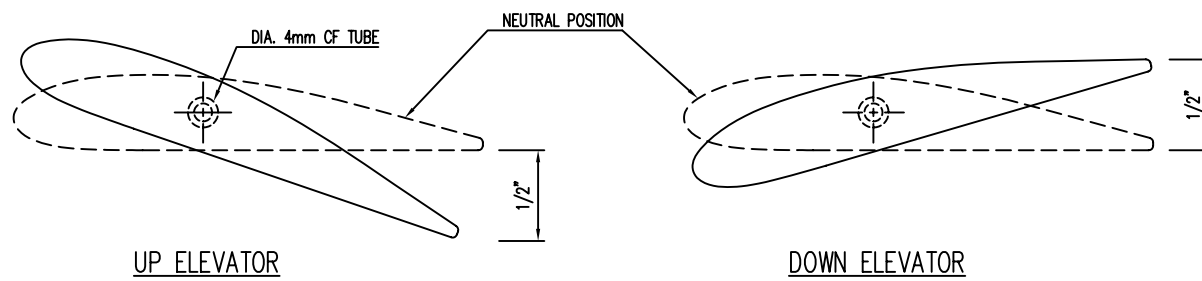
6 X WING TURBULATORS (ACTUAL SIZE)

2 X AILERON HORNS (ACTUAL SIZE)





COZY MARK IV CANARD PUSHER-PROP PLANE  
 FOR 1/4" THICK DEPRON FOAM (SPEED400 CLASS)  
 PAPER SIZE : ANSI D (DRAWING 3 OF 3)  
 SCALE 3/16"=1"  
 Designed & Drawn by : Steven Wong J.F.  
 ALL DRAWING RIGHTS RESERVED  
 Drawn Date : 14th January 2005



CANARD (ELEVATOR) EXPONENTIAL SET AT 35%

COZY CANARD THROW DIAGRAM