

HORIZ STAB SPAR

ELEVATOR SPAR

E-2 (OUTLINE ONLY) LAMINATE FROM 1/16" X 3/16" STRIPS  
E-2 1/16" Balsa MAKE 4

ALL RIBS 3/32" SHEET Balsa

E-3 & 4 1/2" SHEET

R-15 3/16" Balsa

R-15 3/8" Balsa

1/16" NOTCH 3/16" DEEP

5/8" X 1" X 2-1/2" BLOCK

R-4

R-5

1/16" Balsa

R-8

R-9

R-10

R-11

R-12

R-14

R-8

R-9

R-13

R-14

R-14

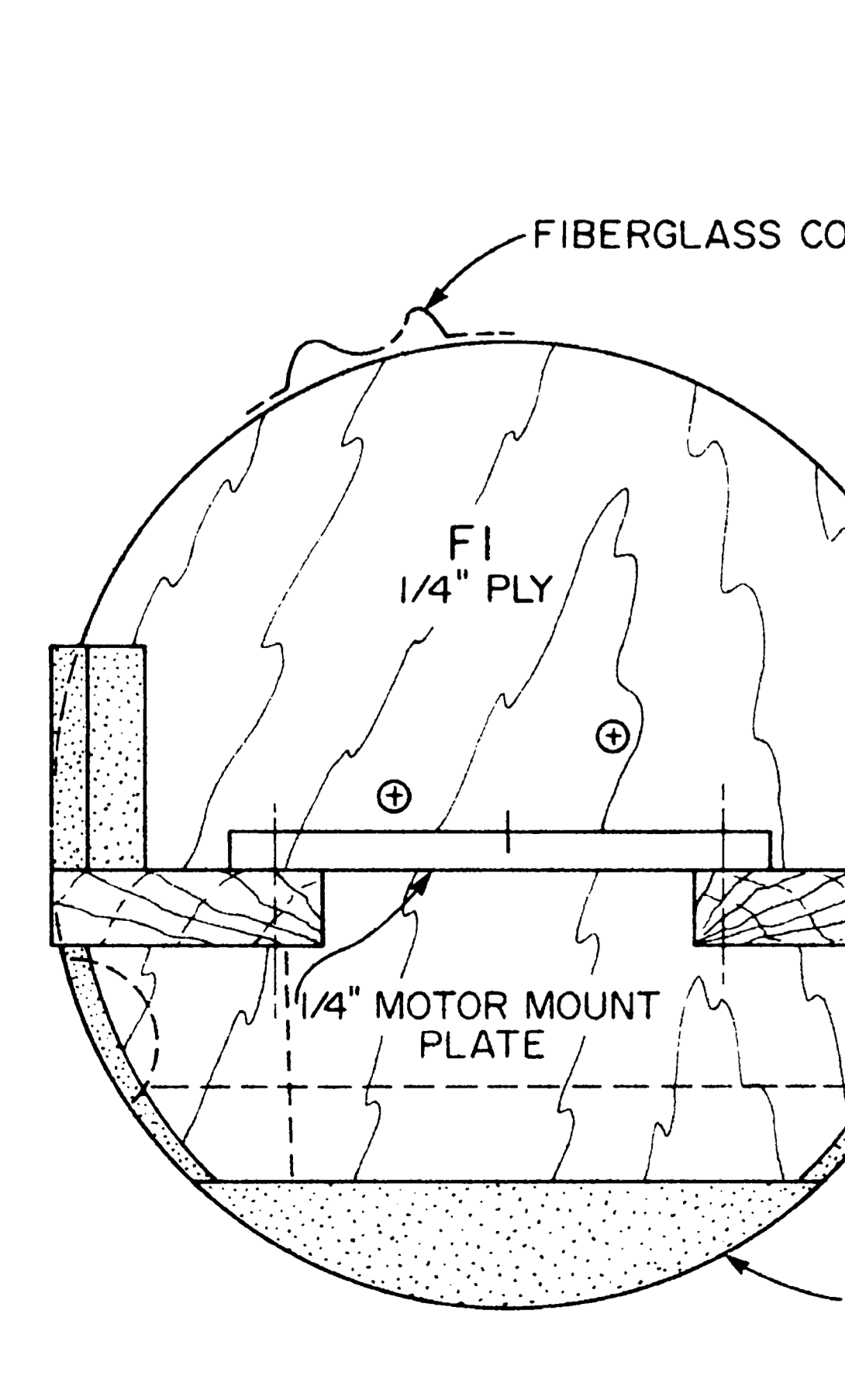
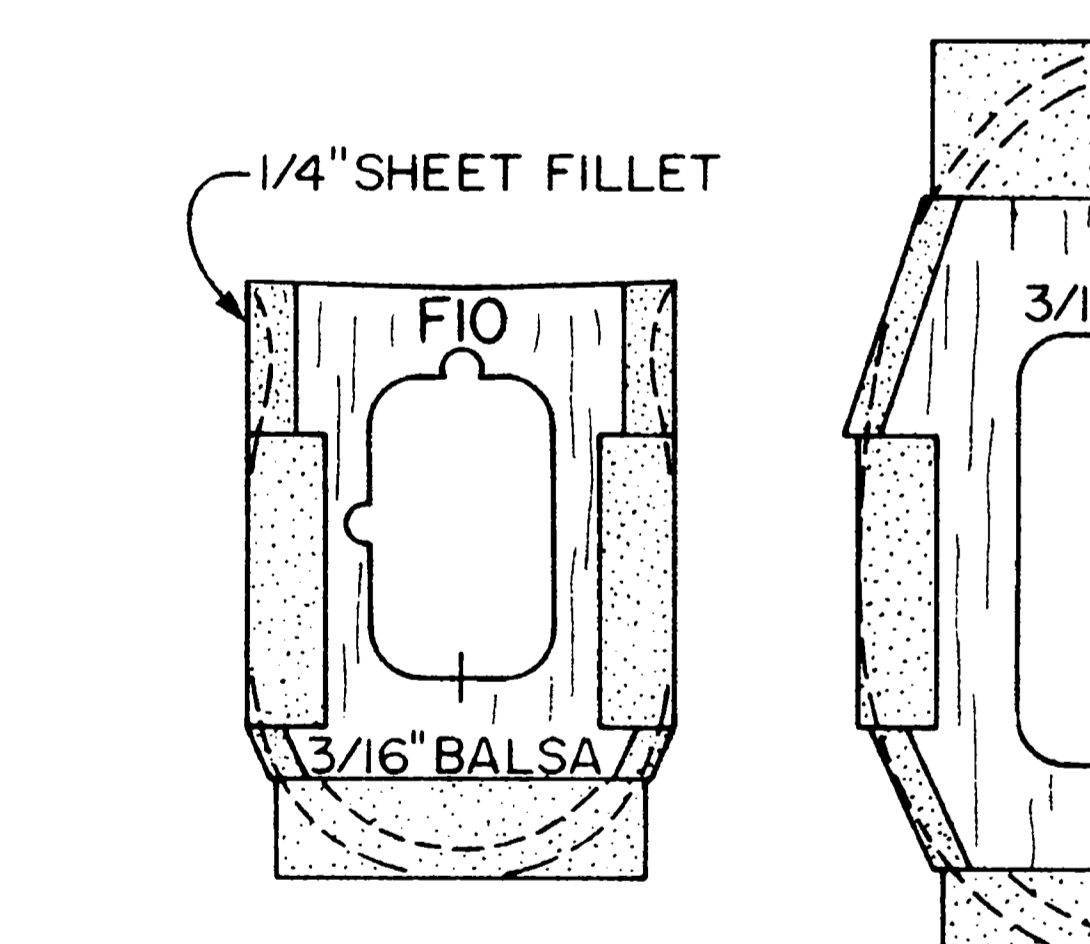
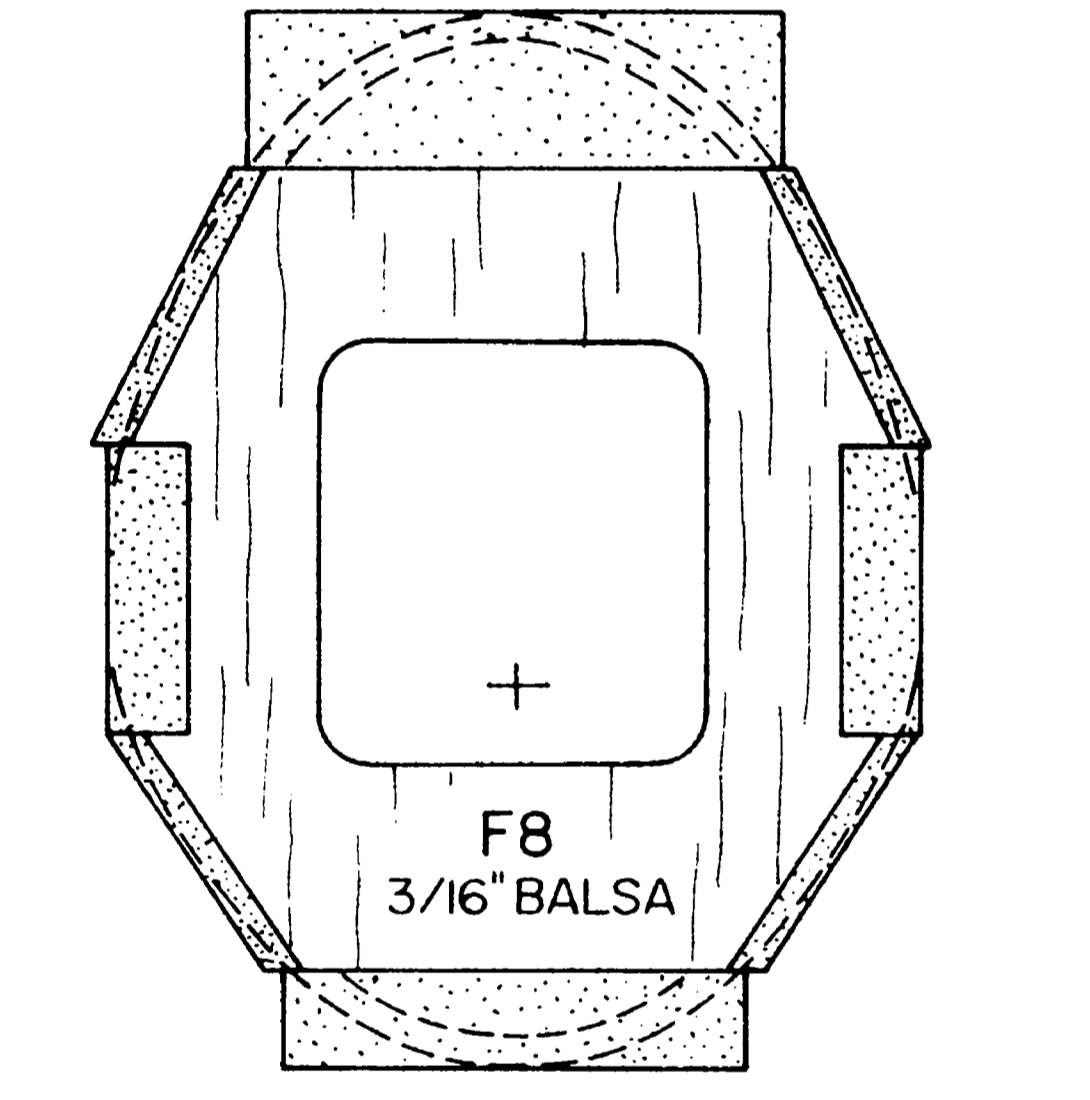
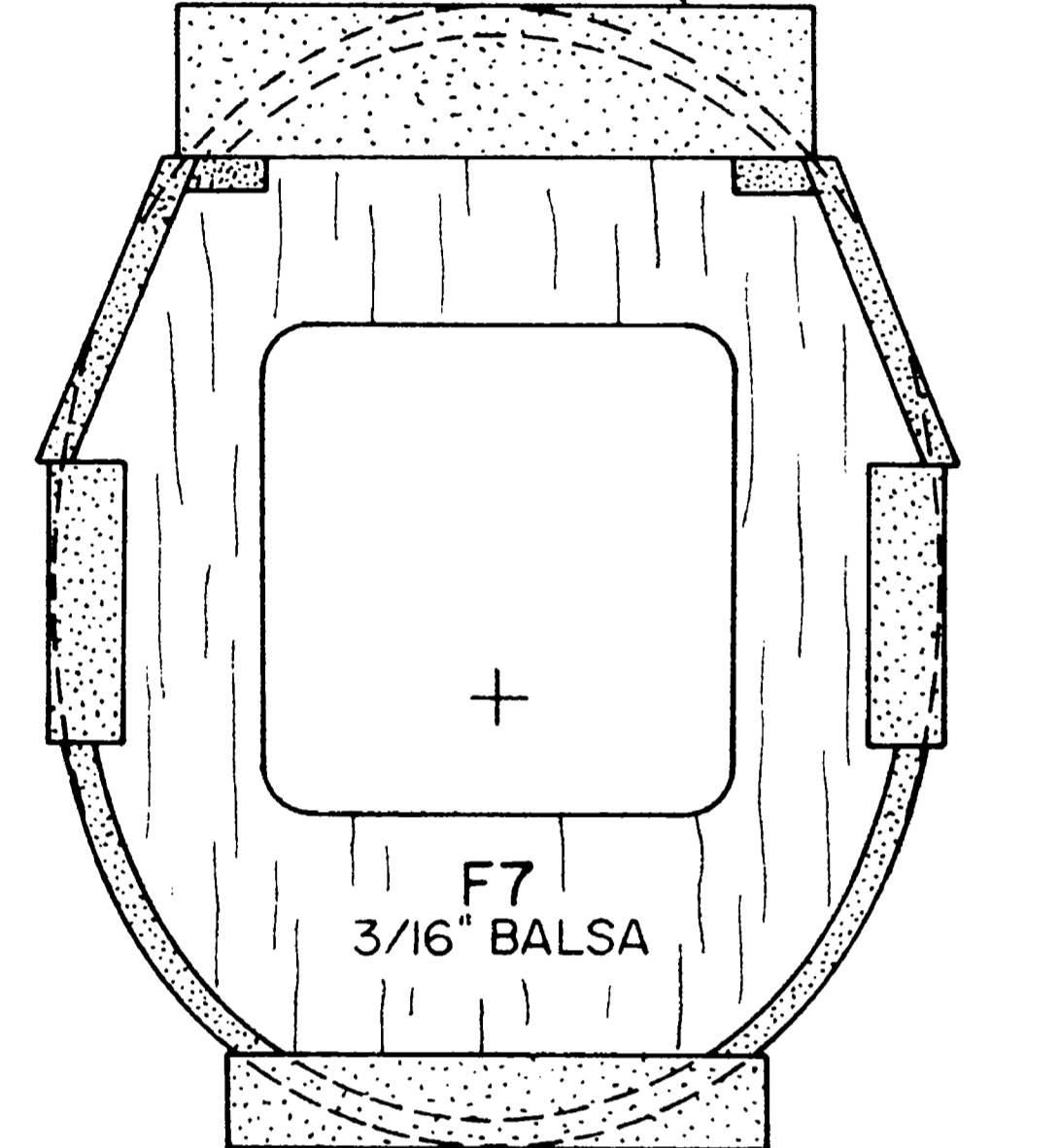
R-14

R-14

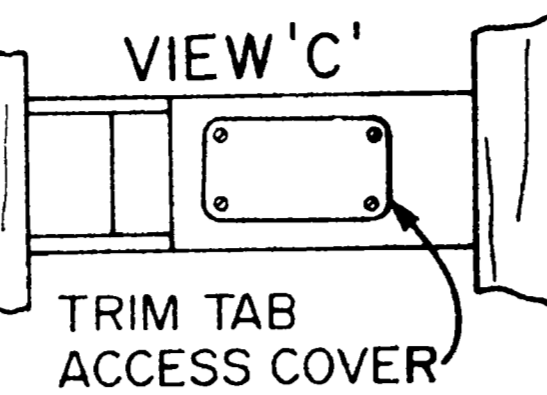
R-14

R-14

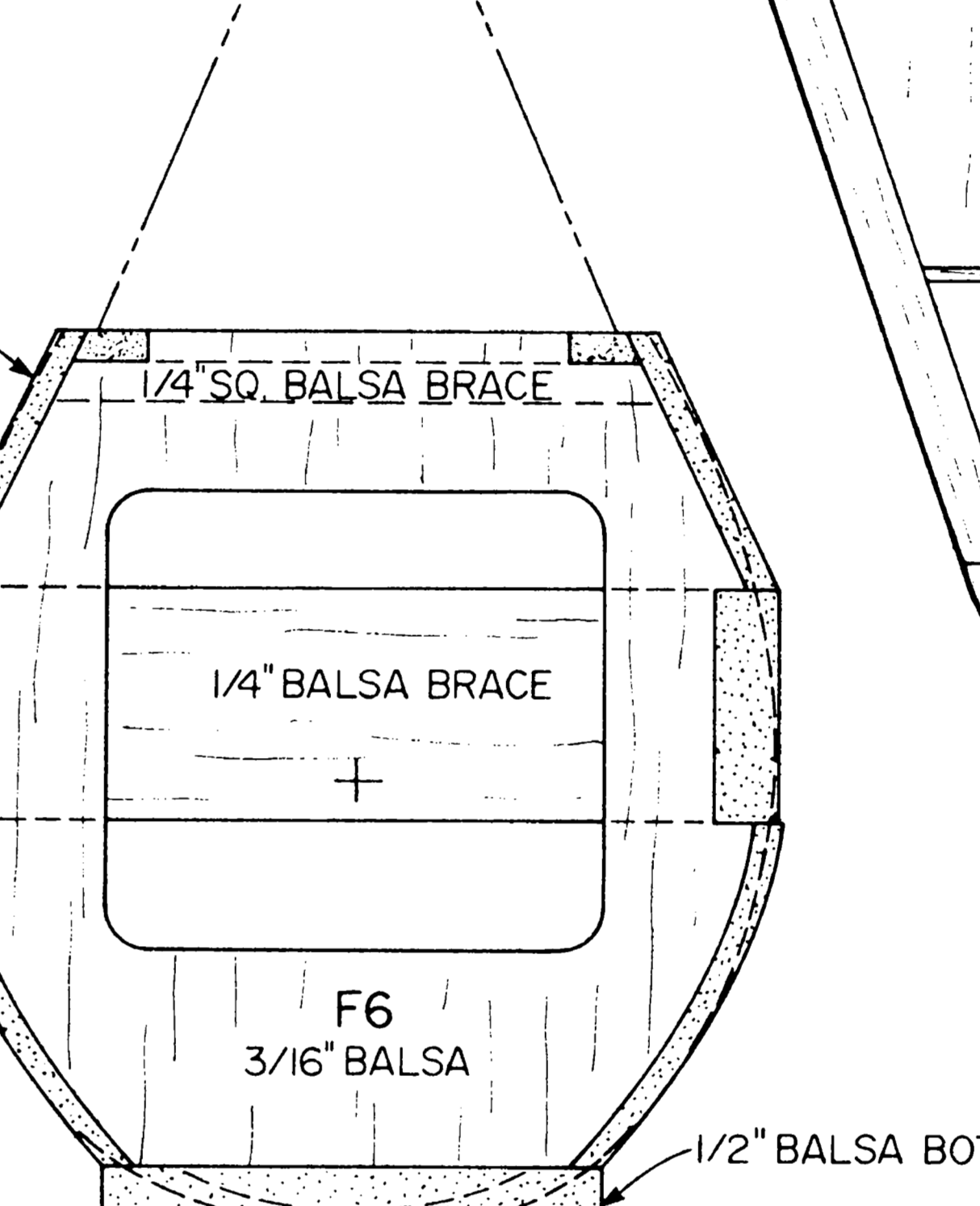
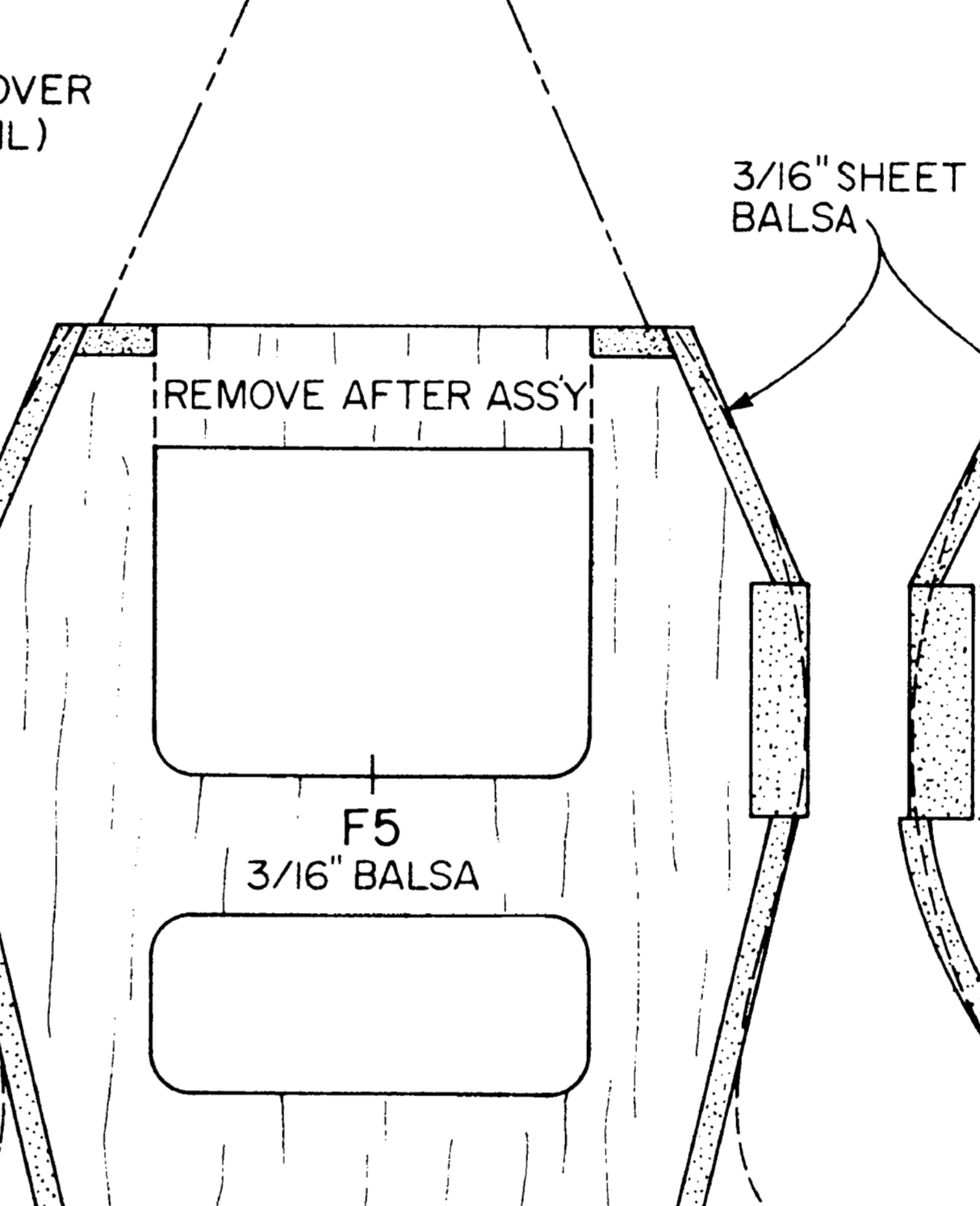
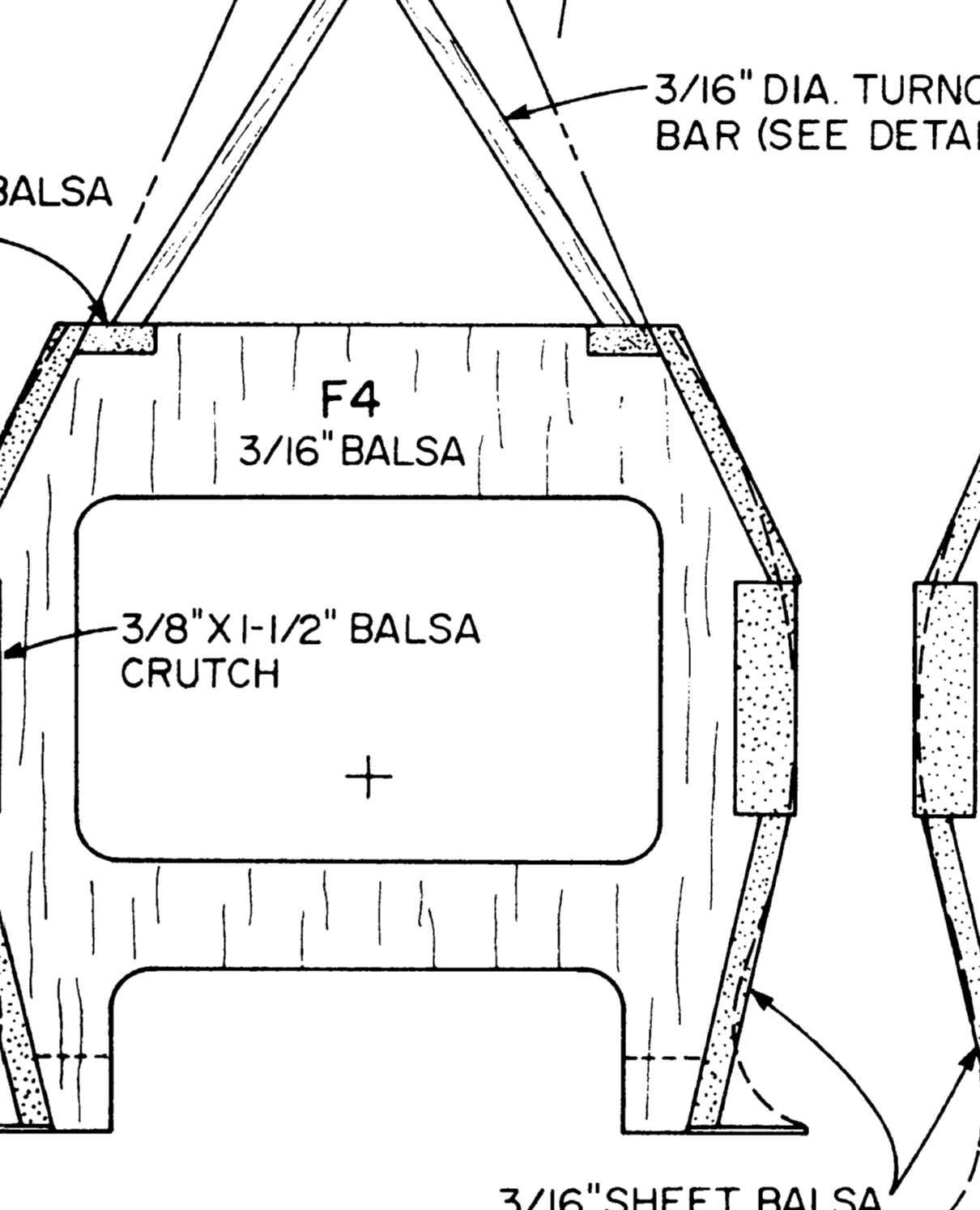
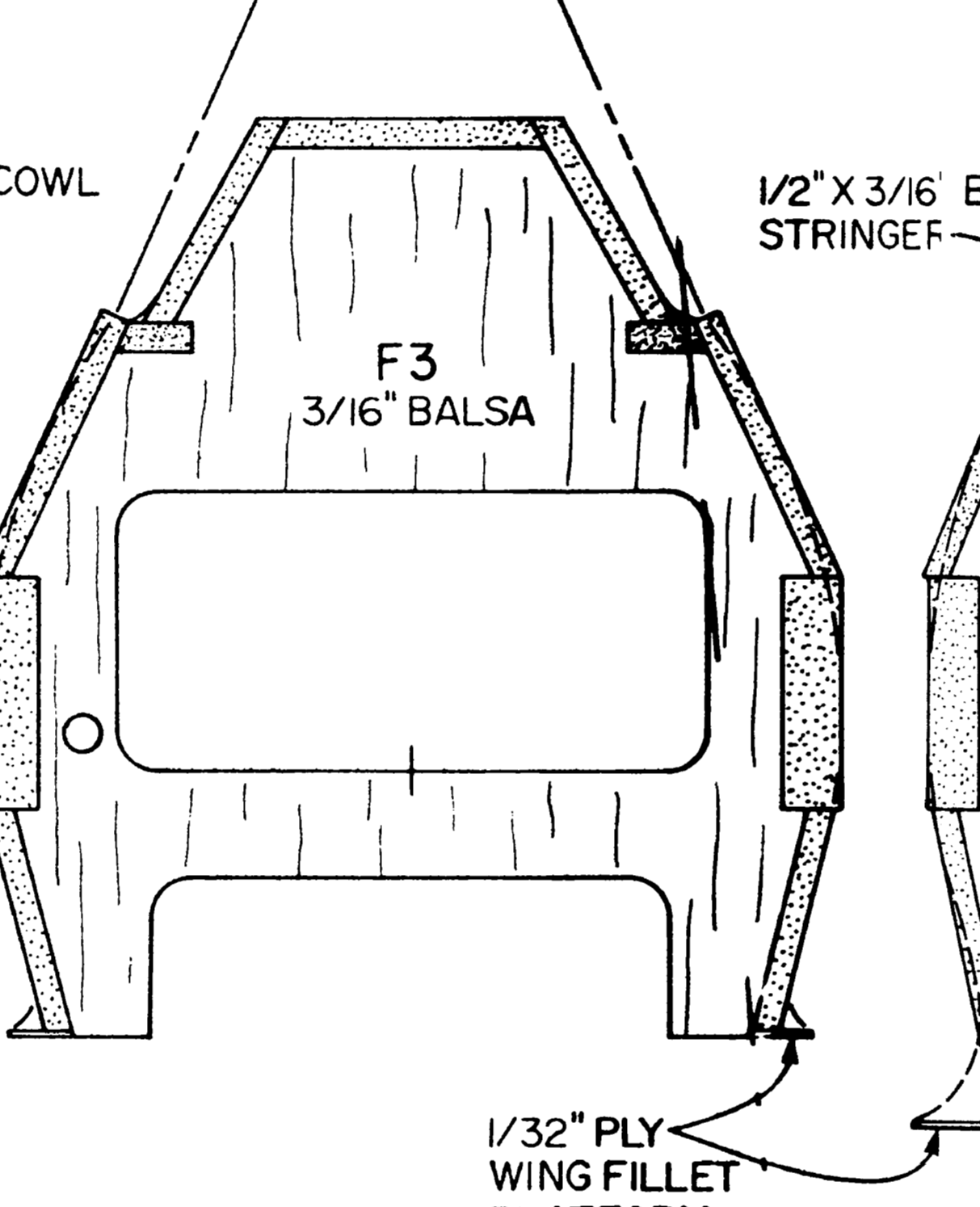
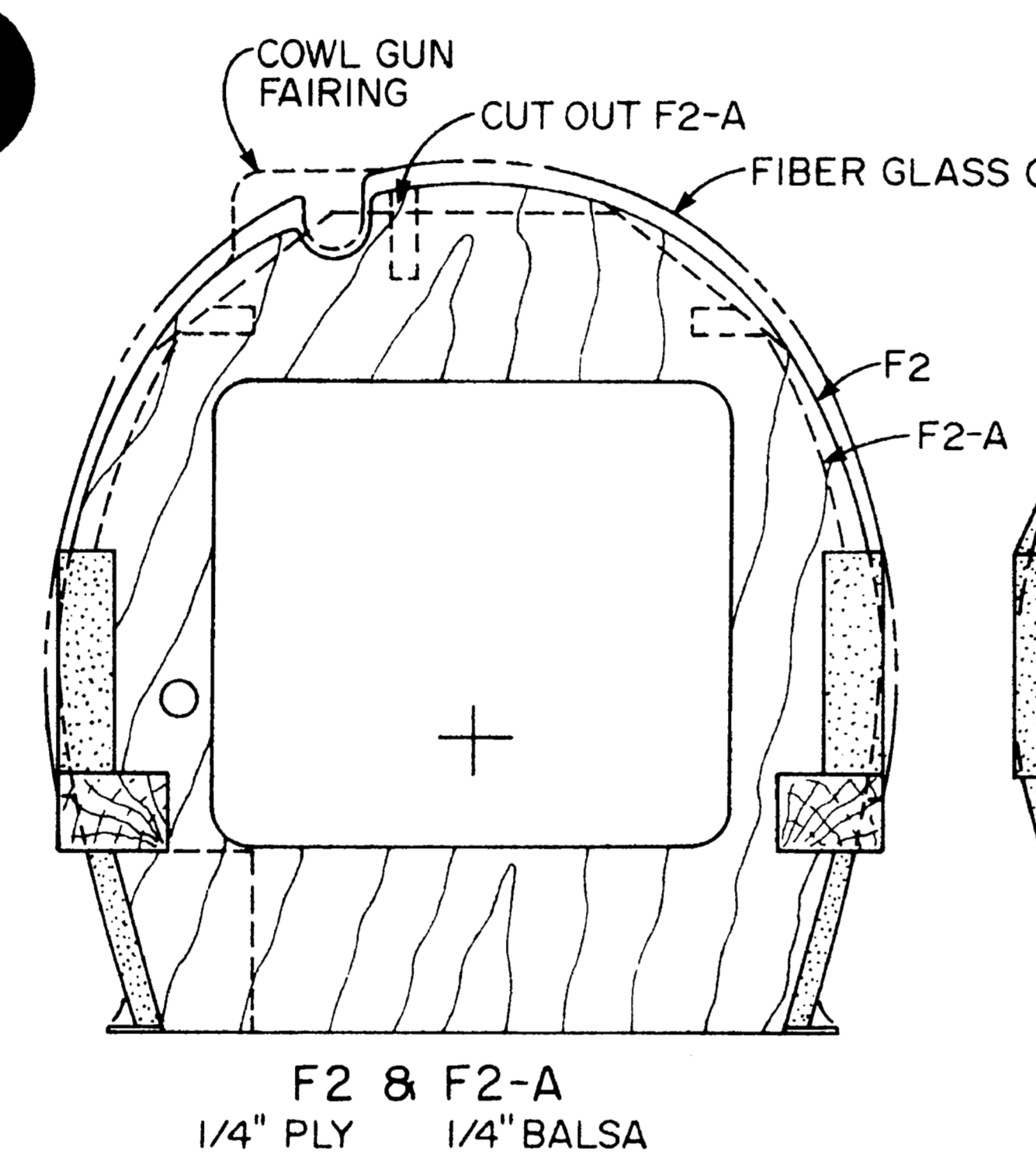
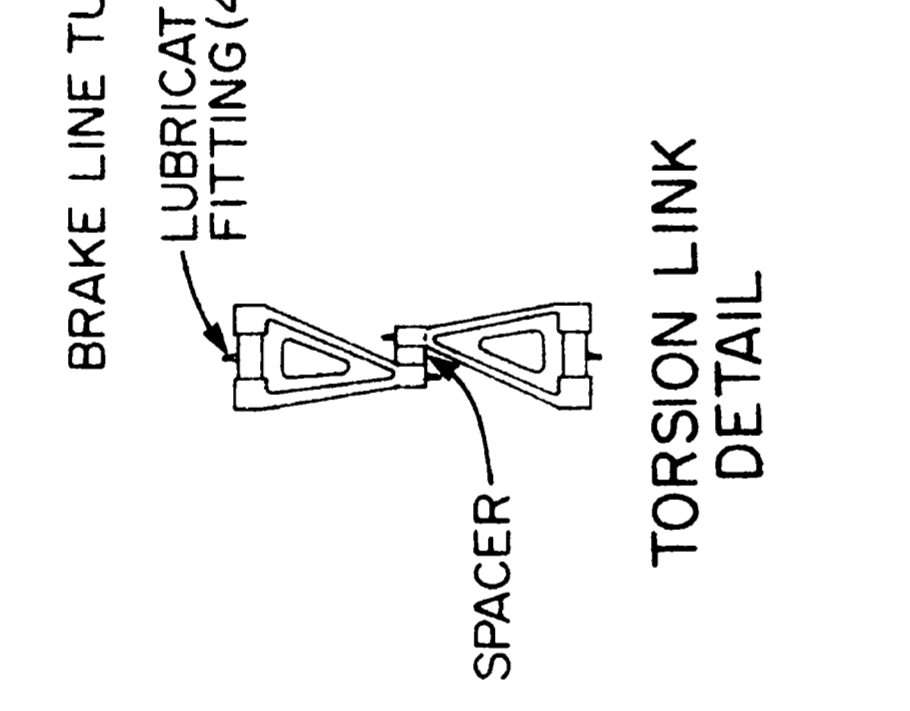
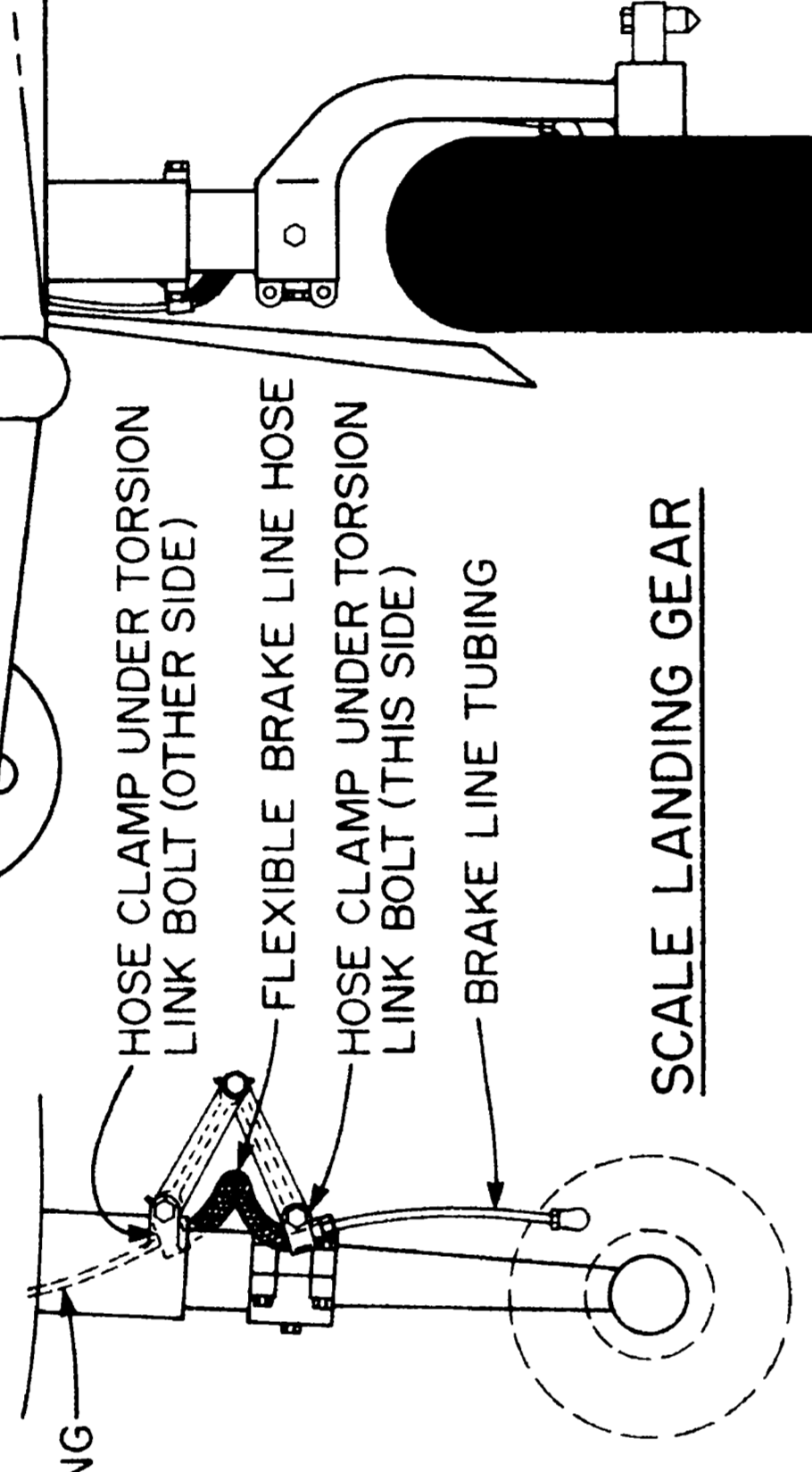
1 3/16" Balsa TOP BLOCK (HOLLOW)



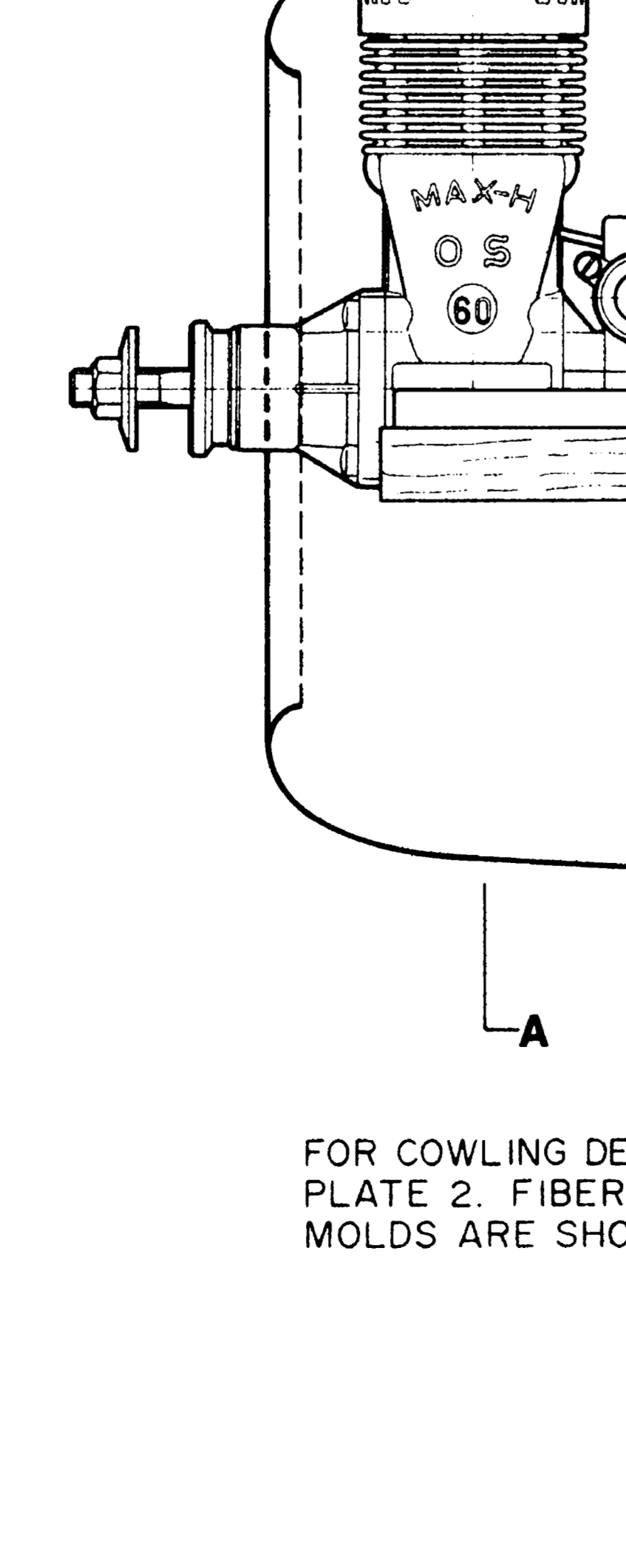
HORIZ STAB LEADING EDGE  
3/8" SQ Balsa - MAKE 2



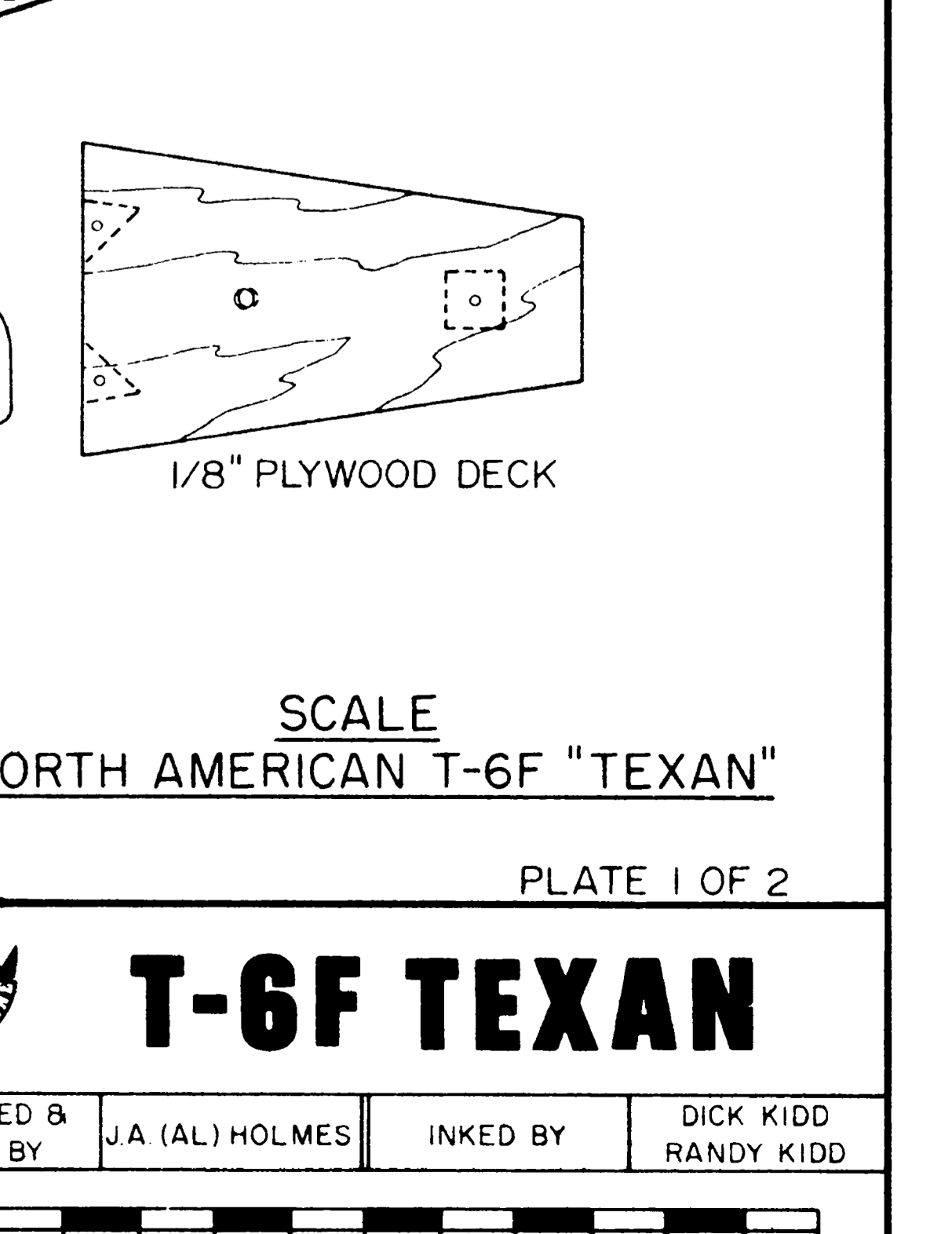
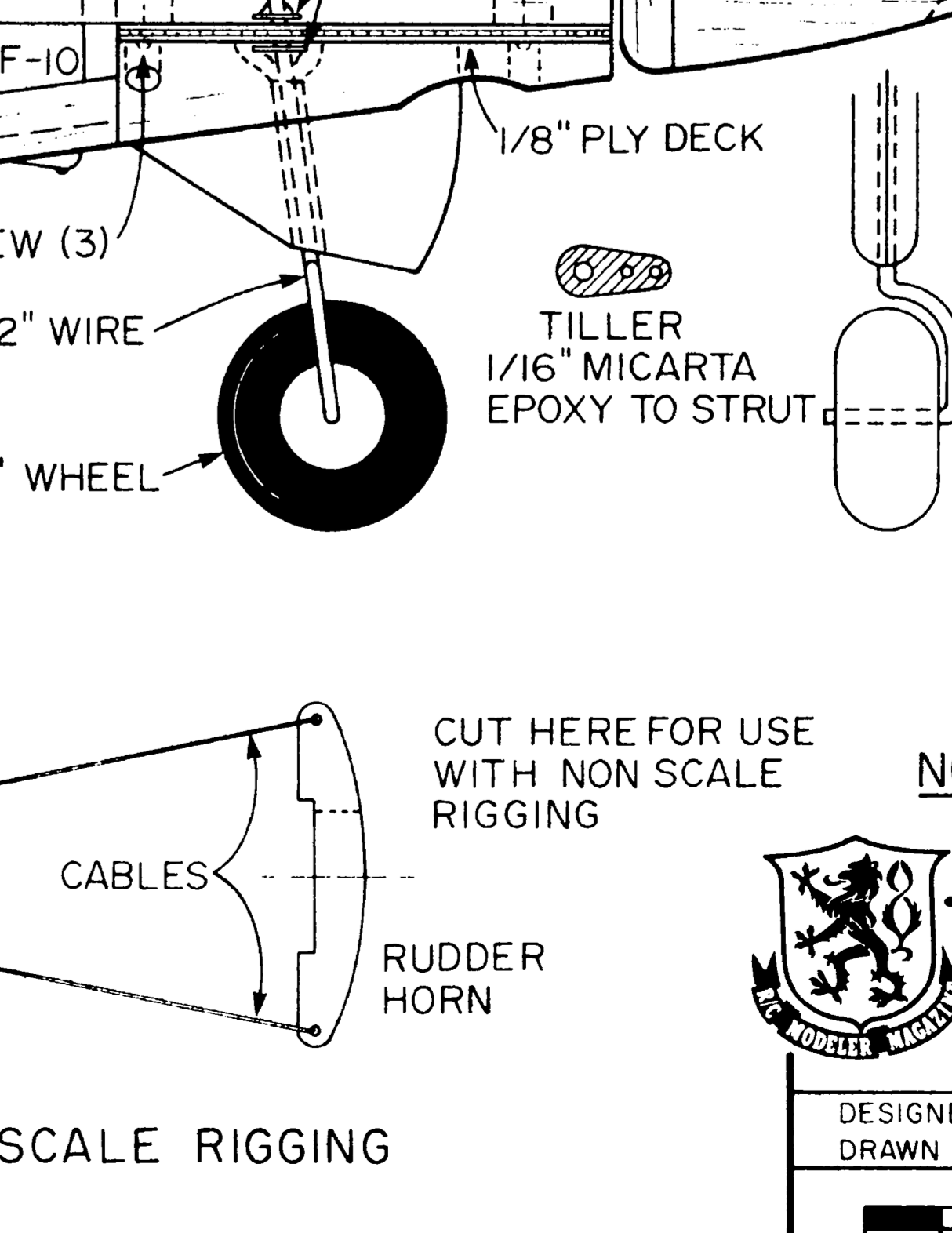
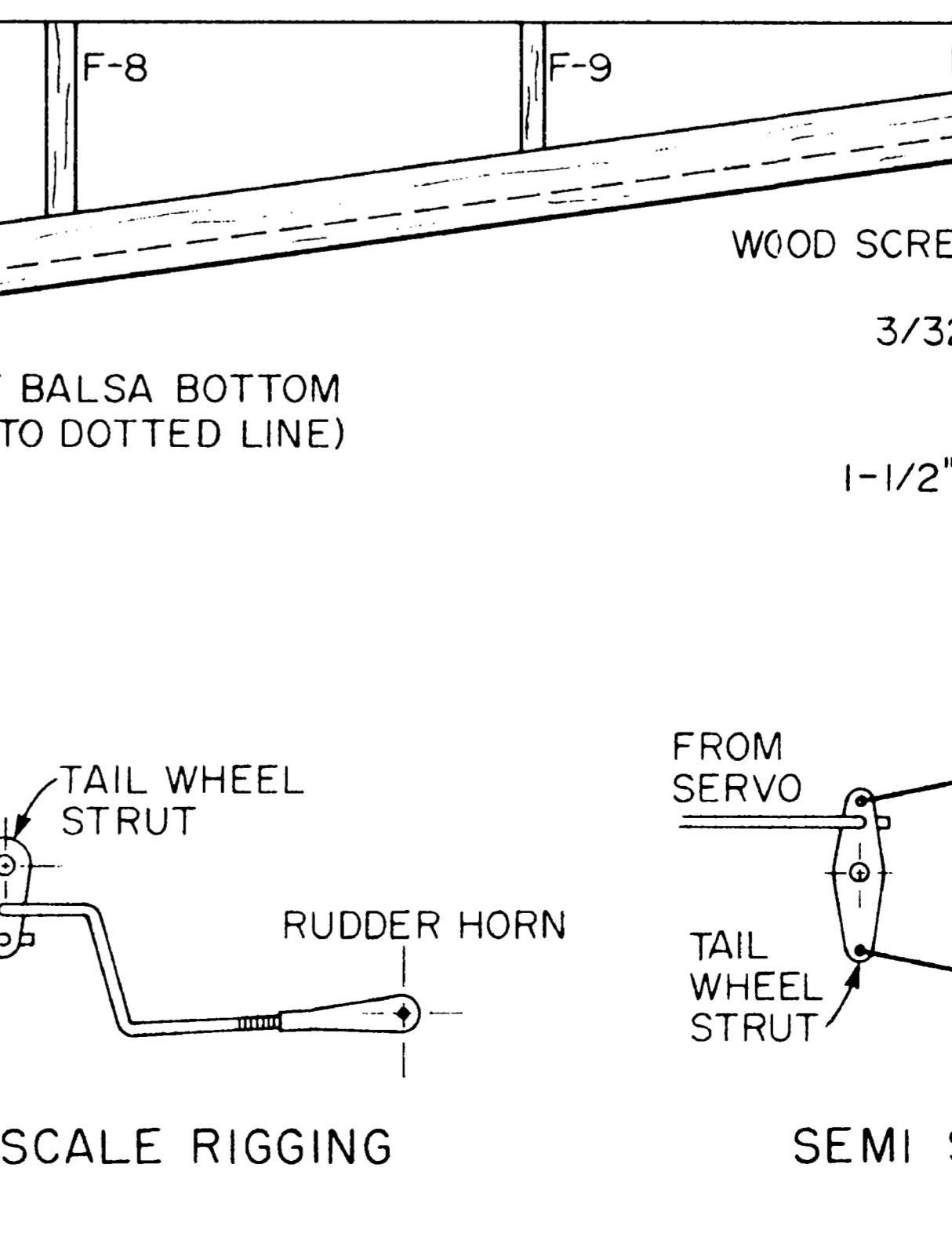
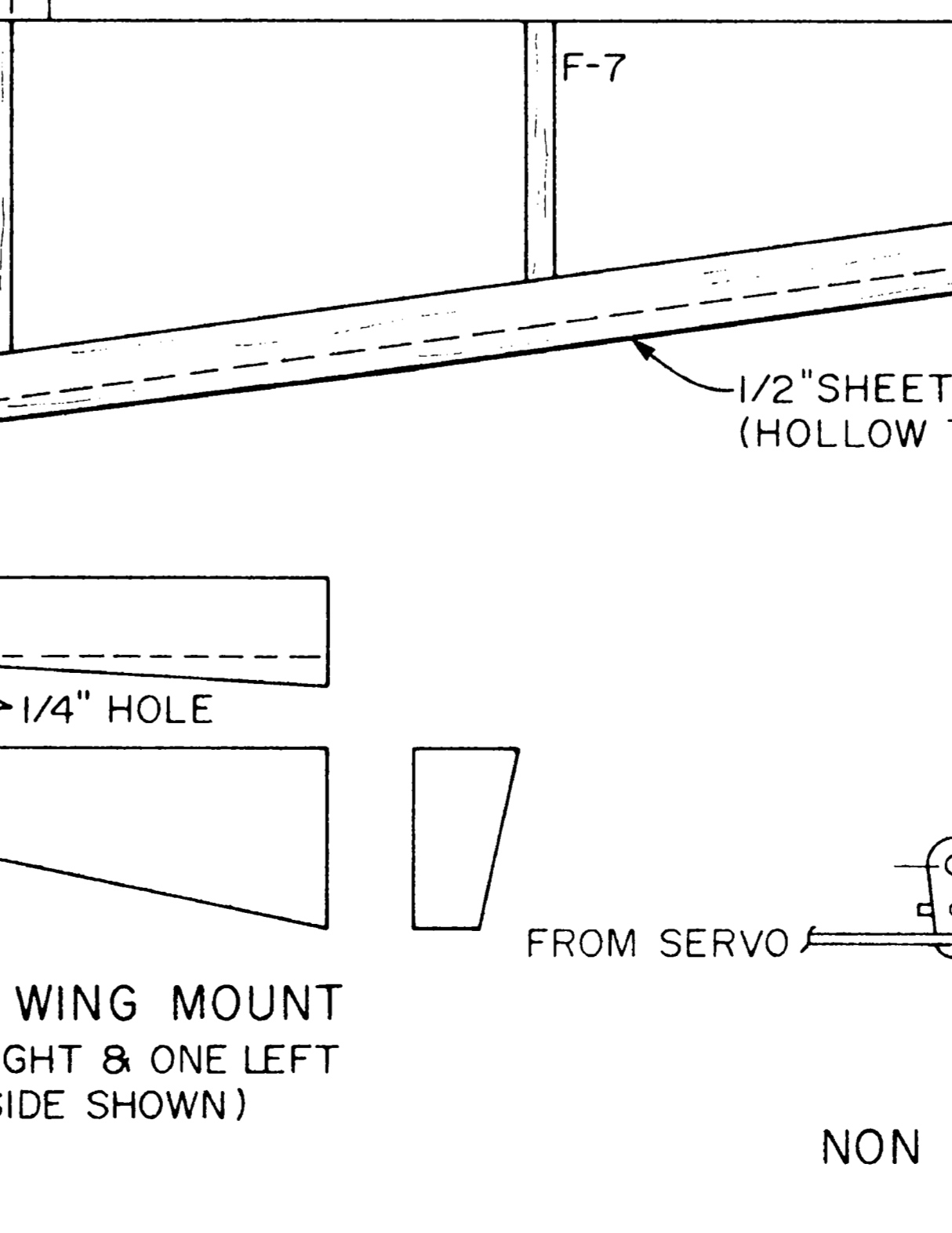
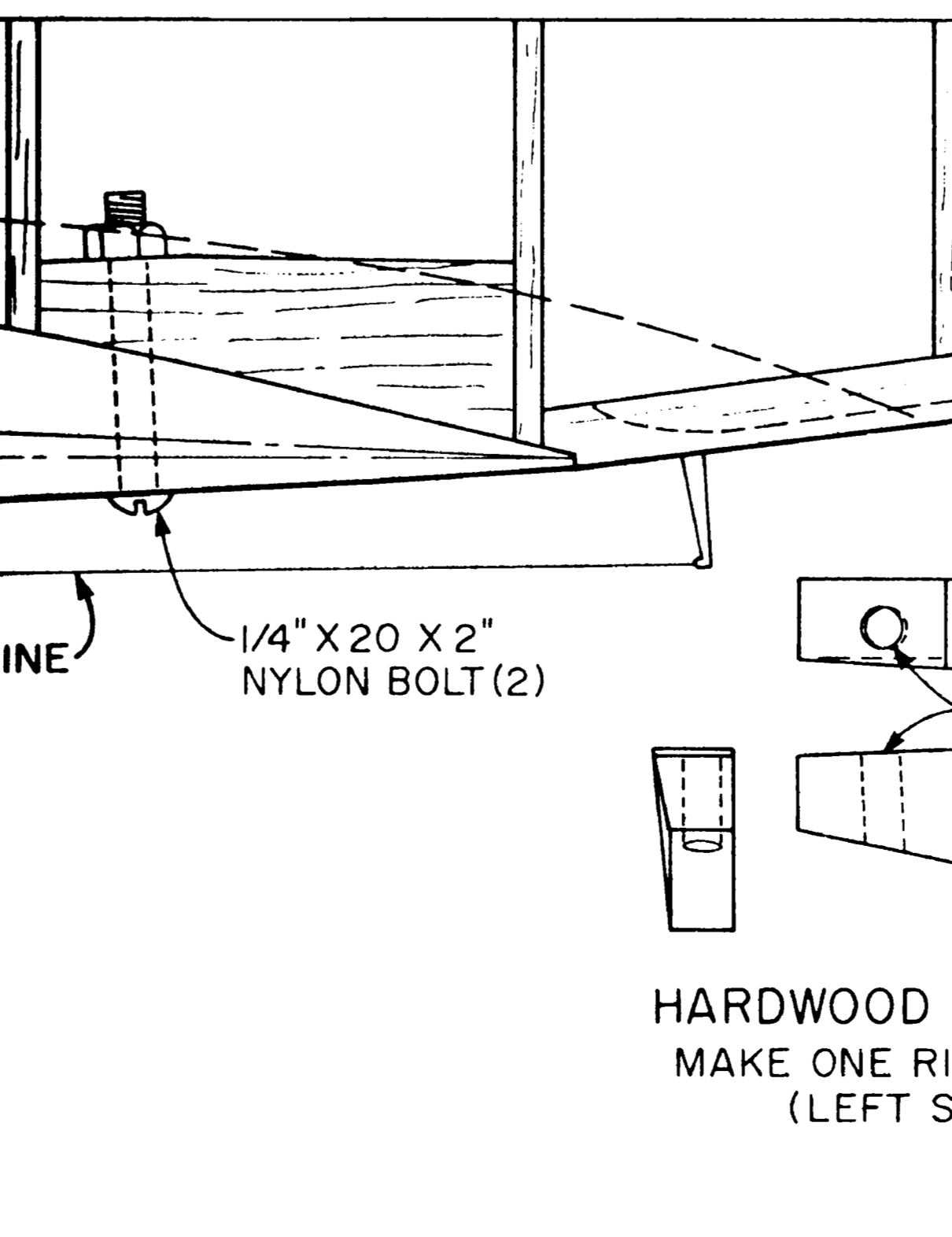
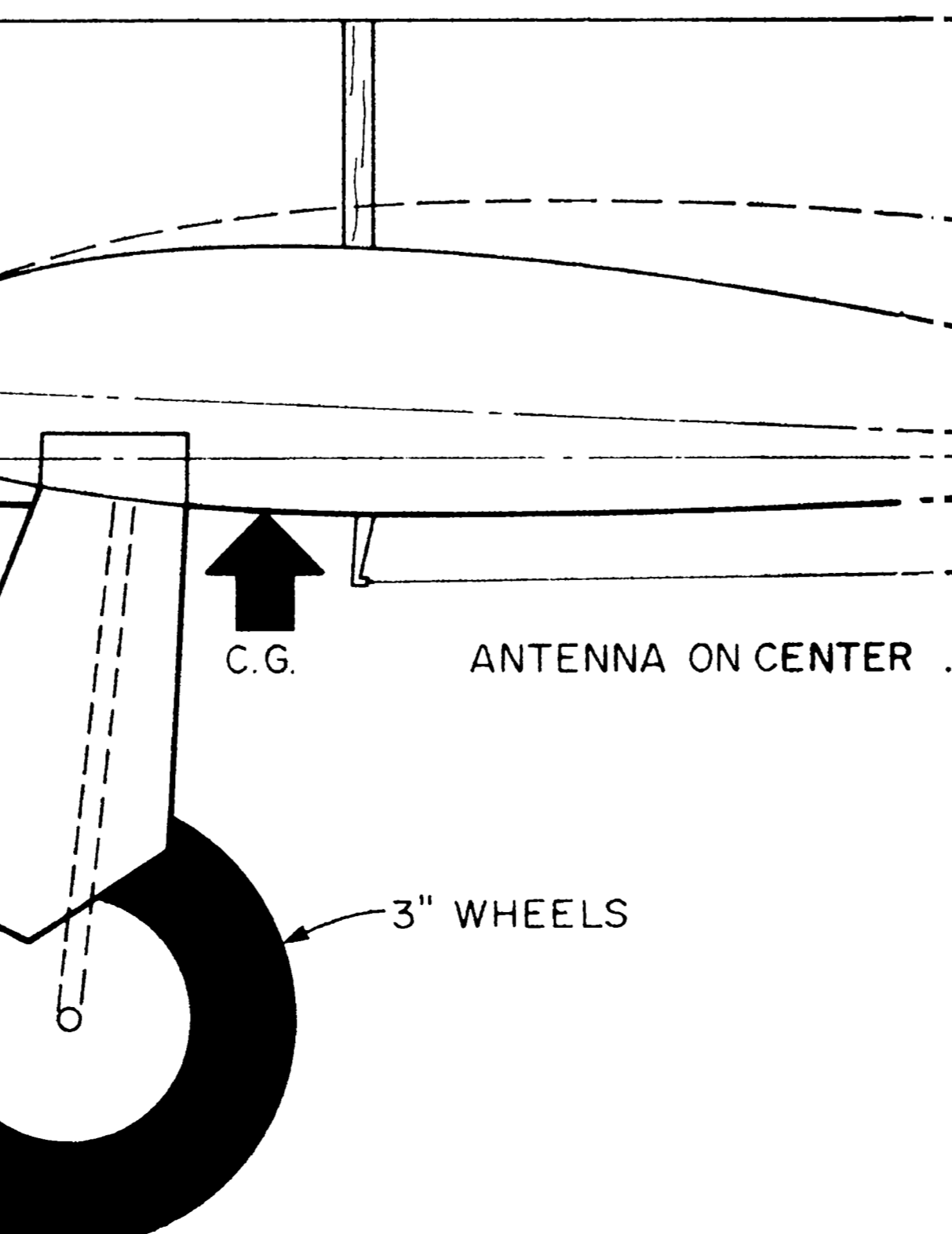
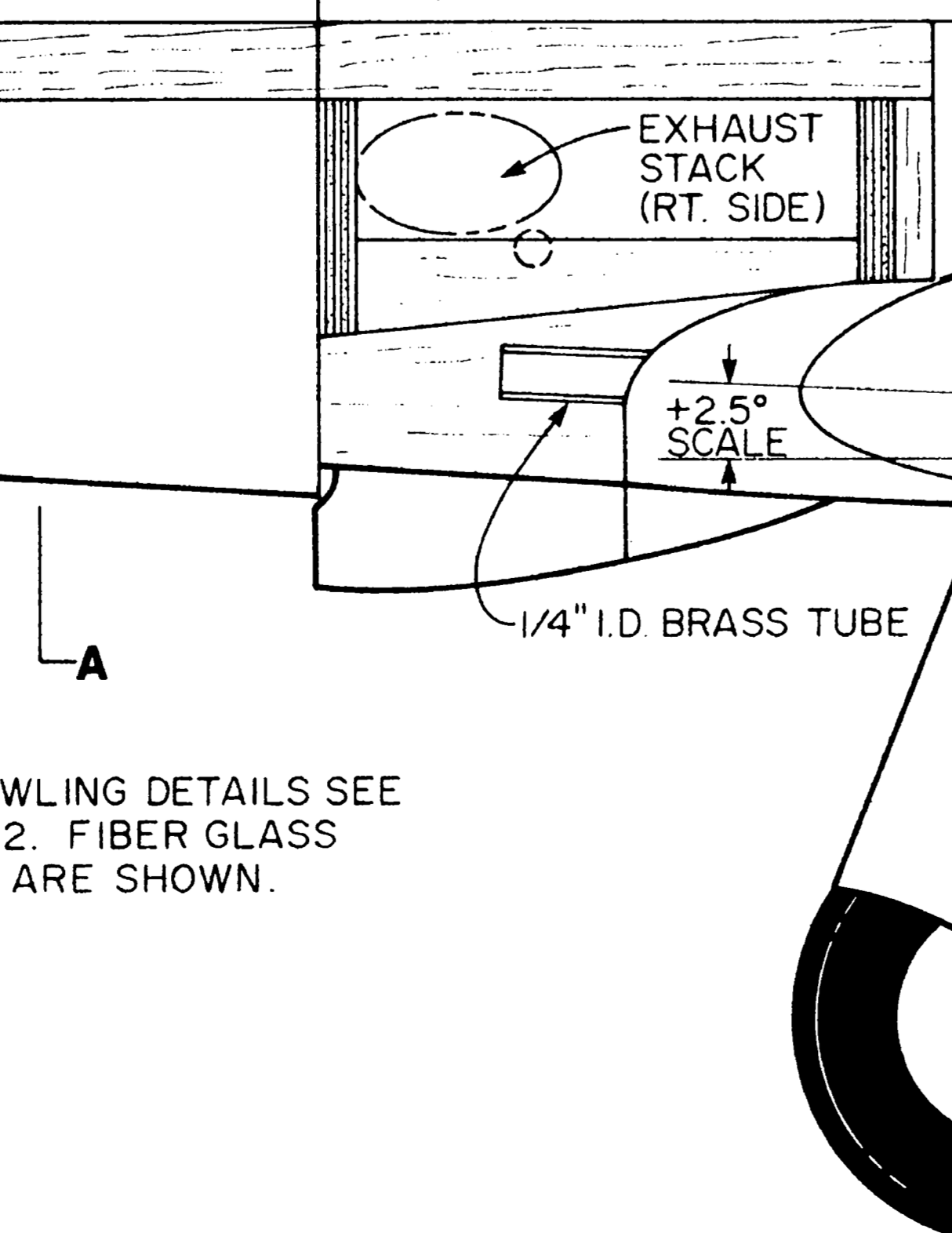
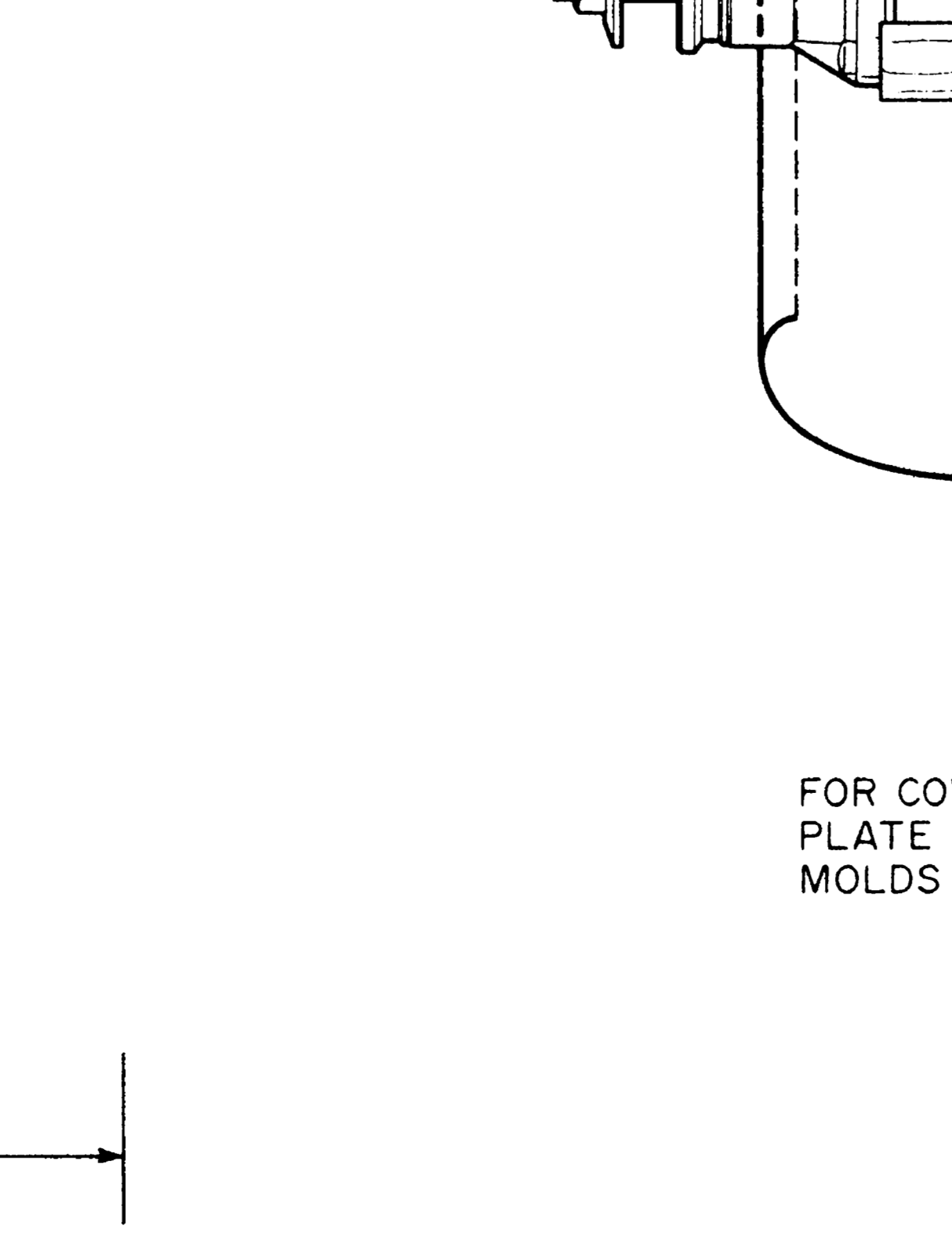
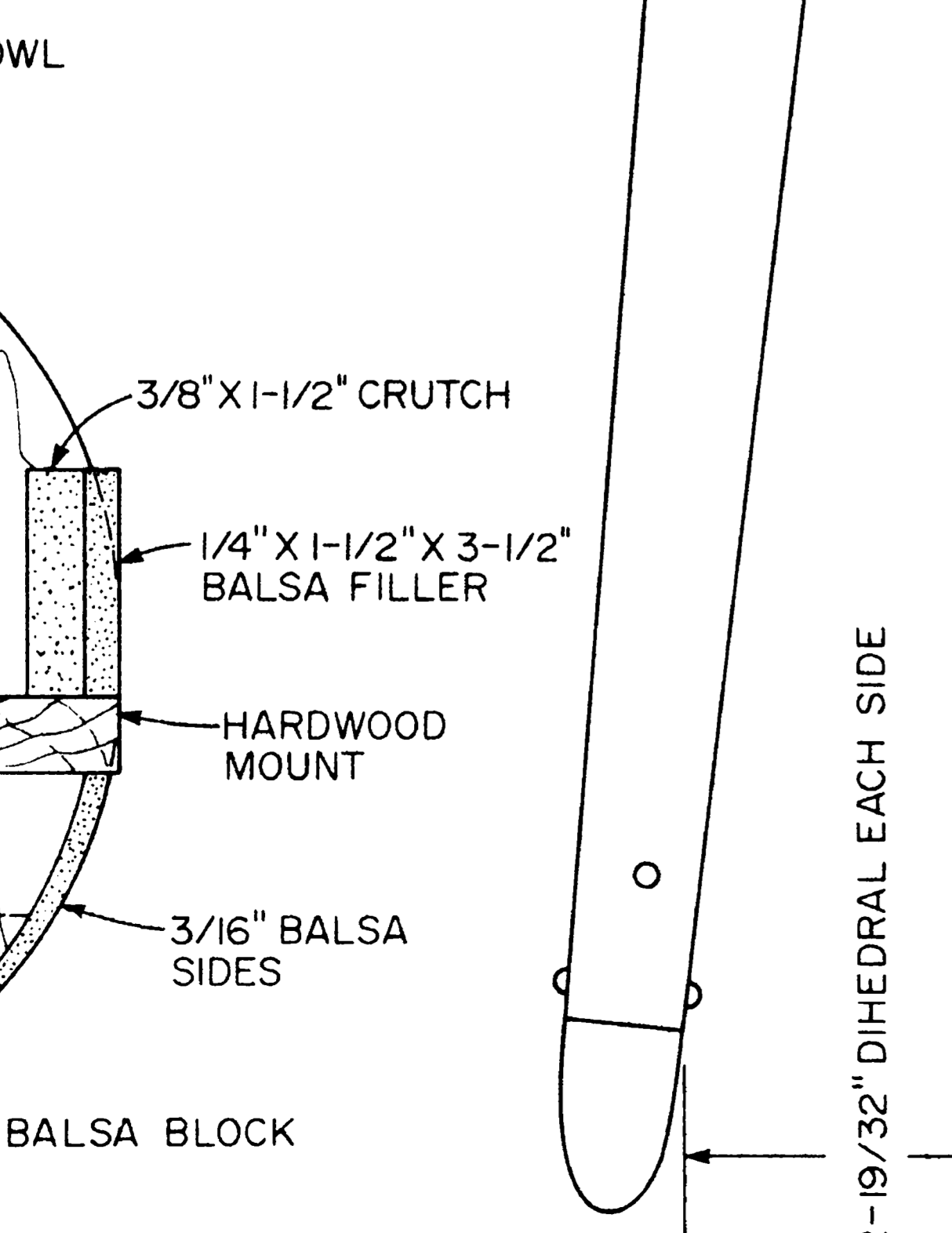
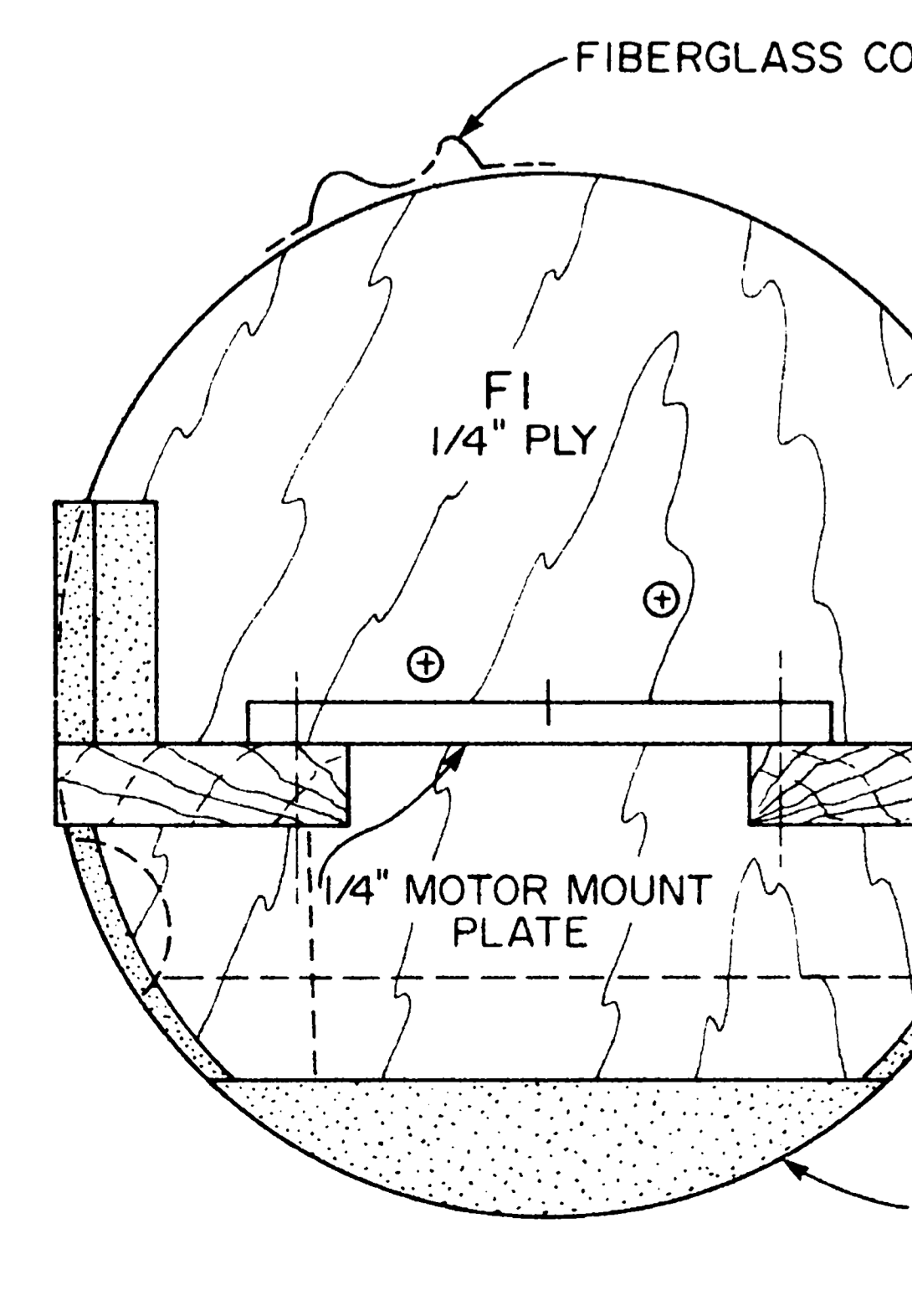
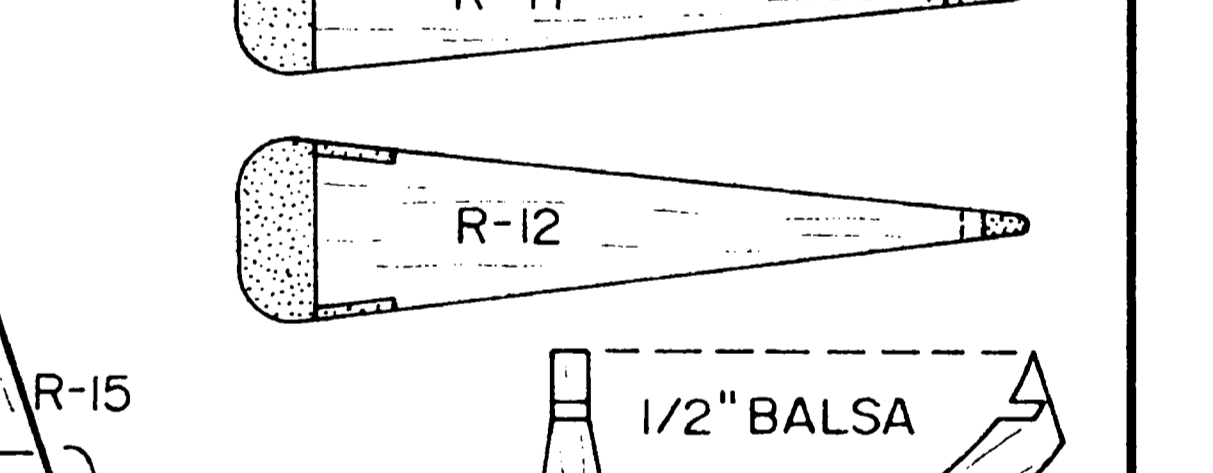
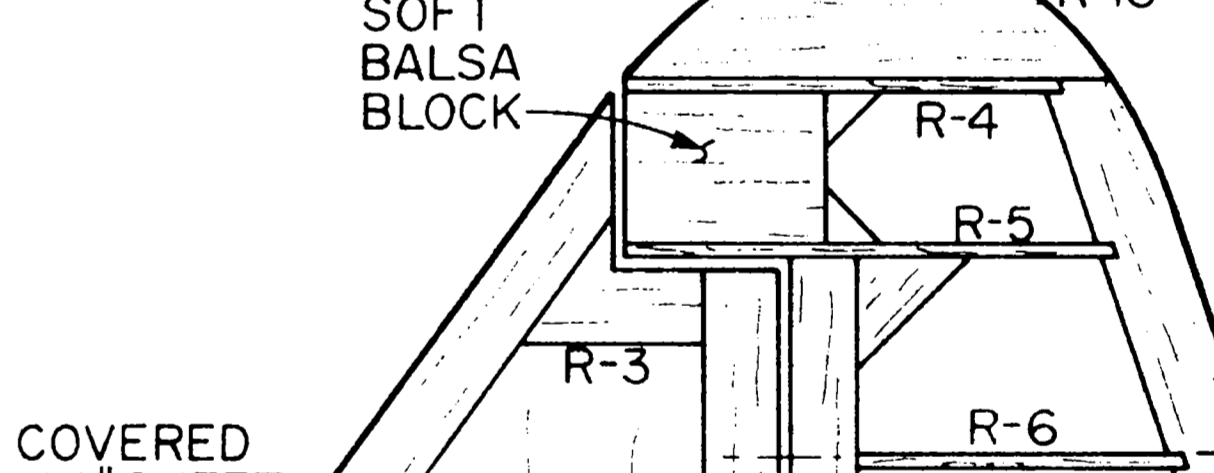
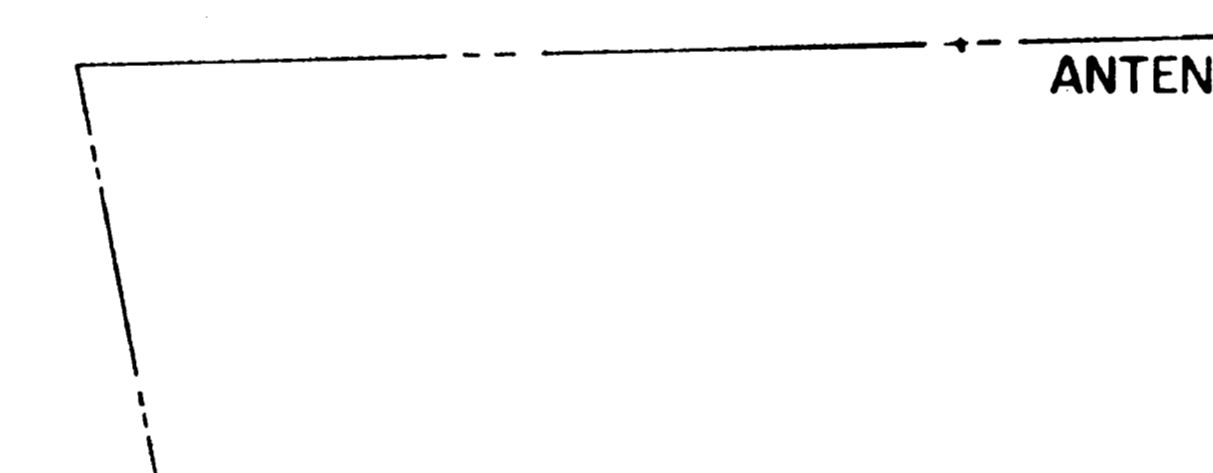
WING FILLET OUTLINE



O.S. MAX-H 60%  
DISPLACEMENT: 9.95 c.c.  
BORE: 24.0 mm.  
STROKE: 22.0 mm.  
WEIGHT: 420 gr.



3/16" PLY ANTENNA MAST



FOR COWLING DETAILS SEE PLATE 2. FIBER GLASS MOLDS ARE SHOWN.

1/4" I.D. BRASS TUBE

C.G.

ANTENNA ON CENTER LINE

1/4" X 20 X 2" NYLON BOLT (2)

1/4" HOLE

HARDWOOD WING MOUNT MAKE ONE RIGHT & ONE LEFT (LEFT SIDE SHOWN)

NON SCALE RIGGING

SEMI SCALE RIGGING

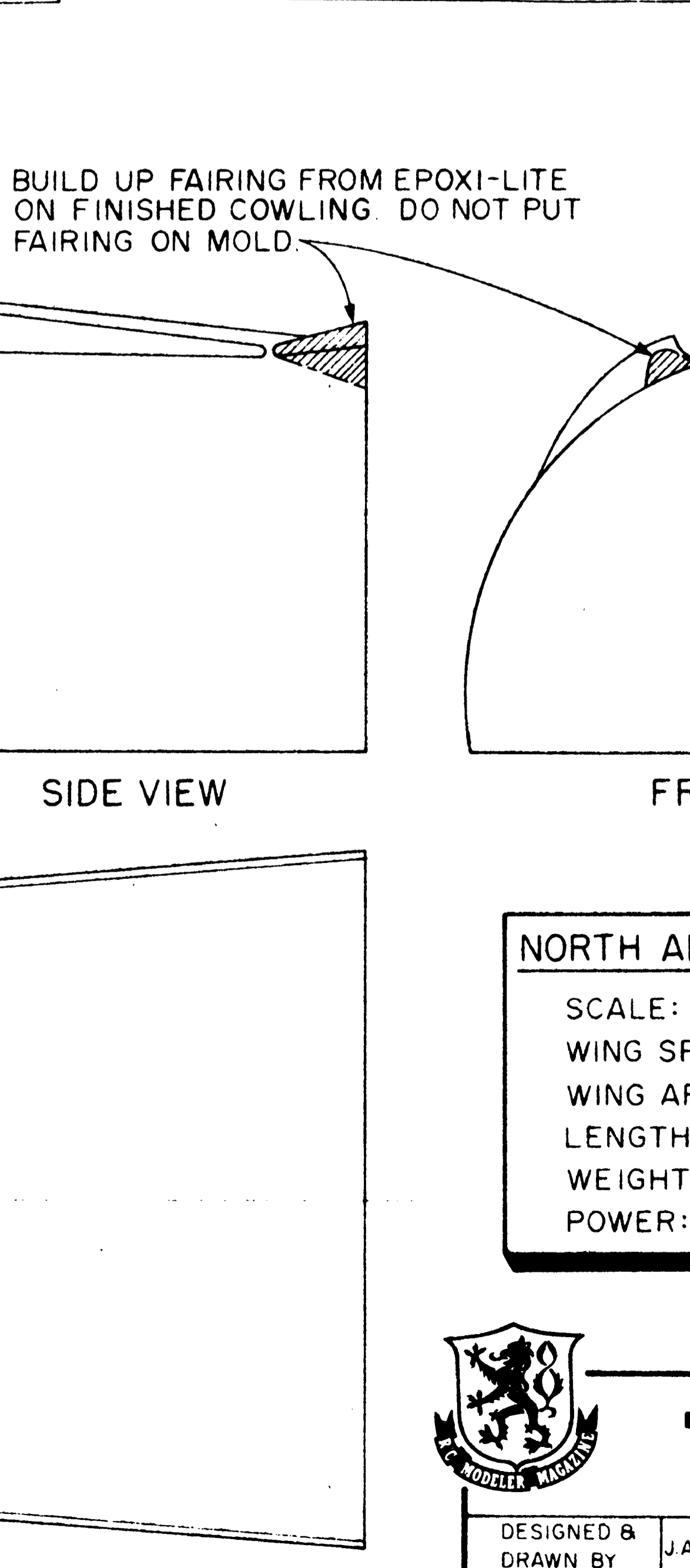
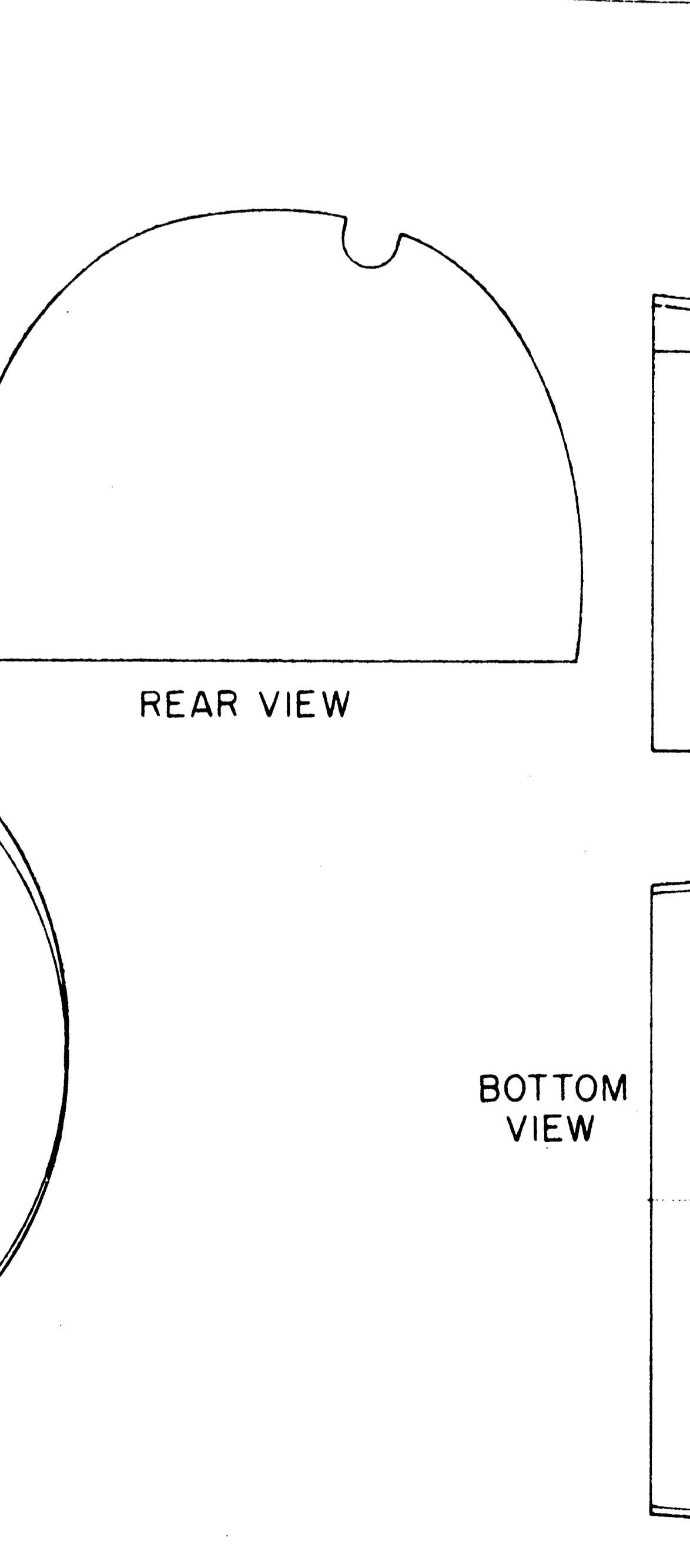
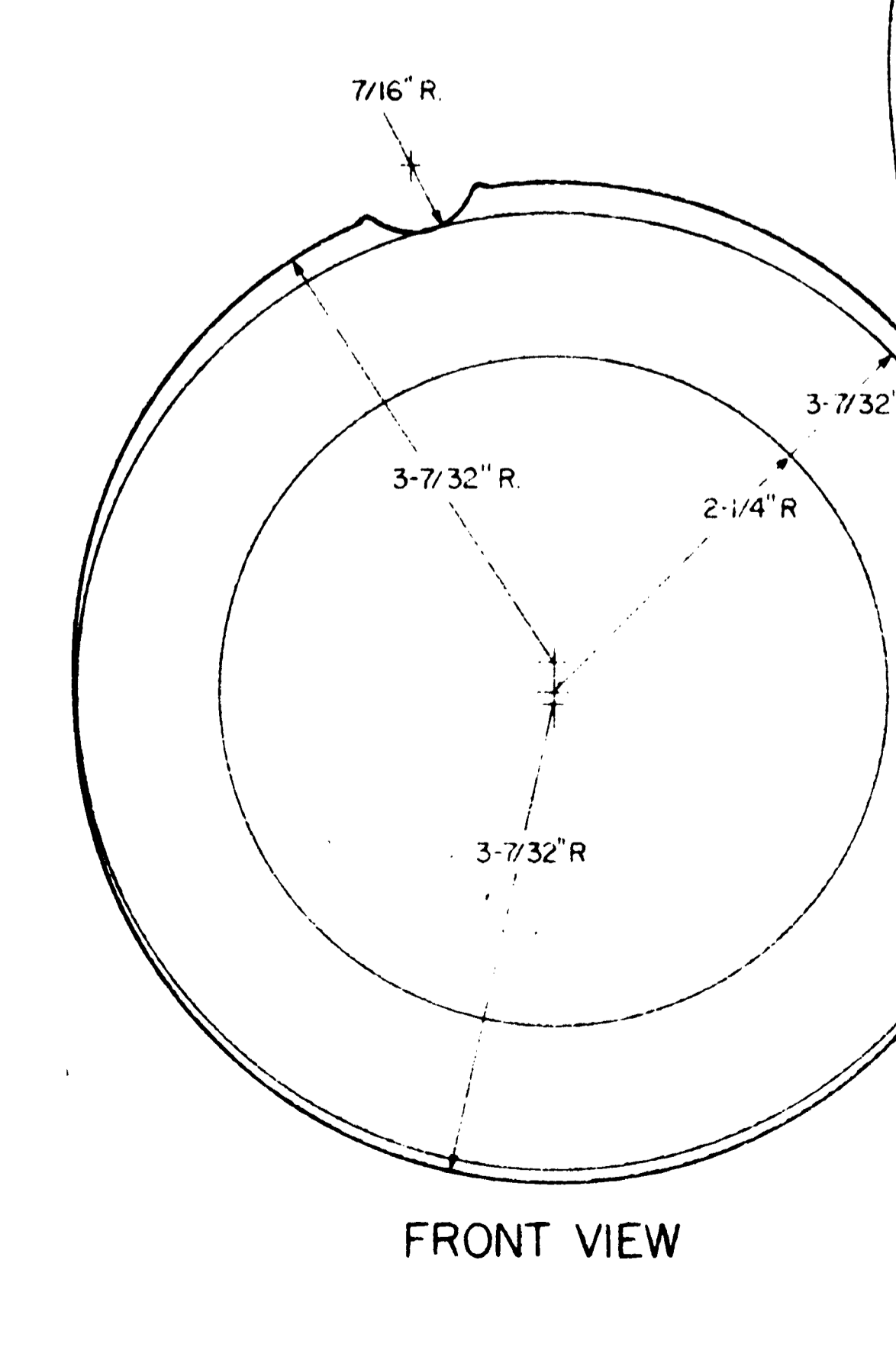
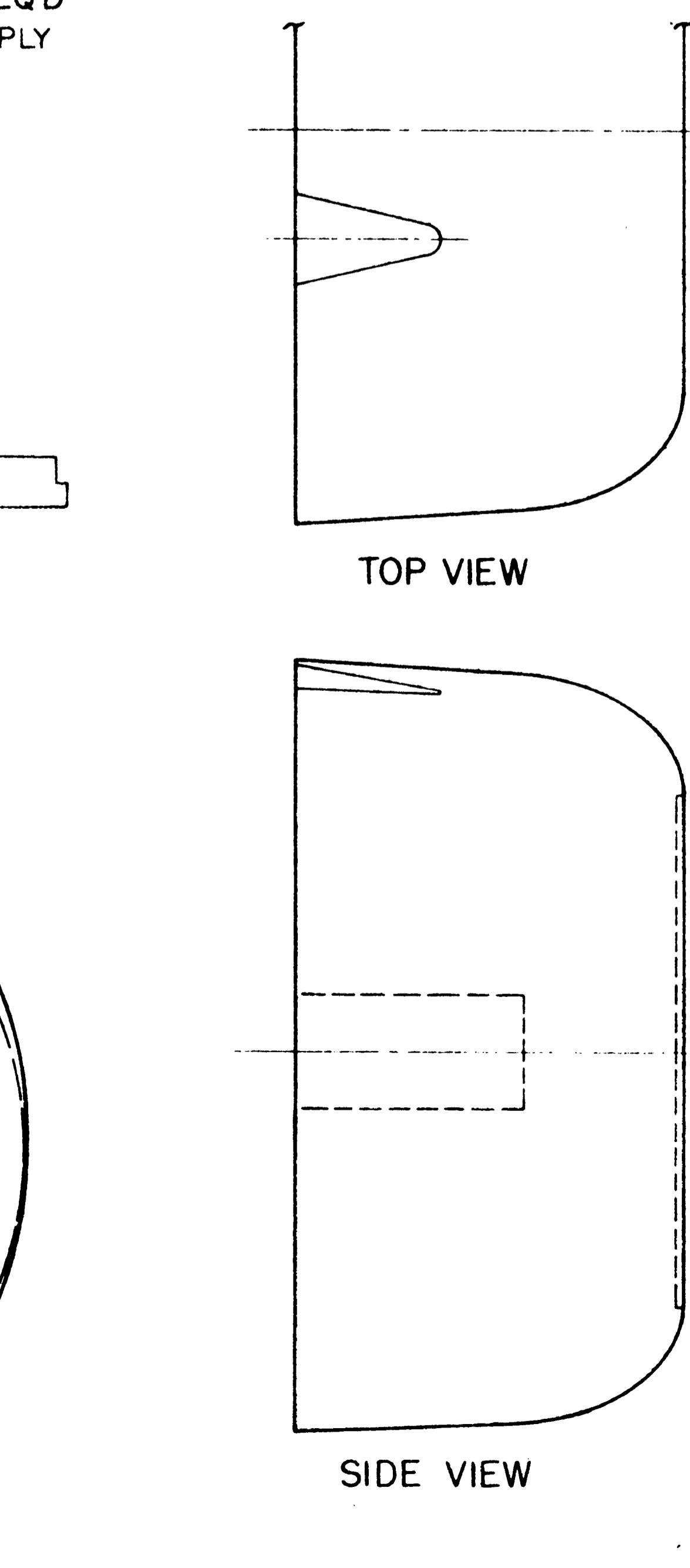
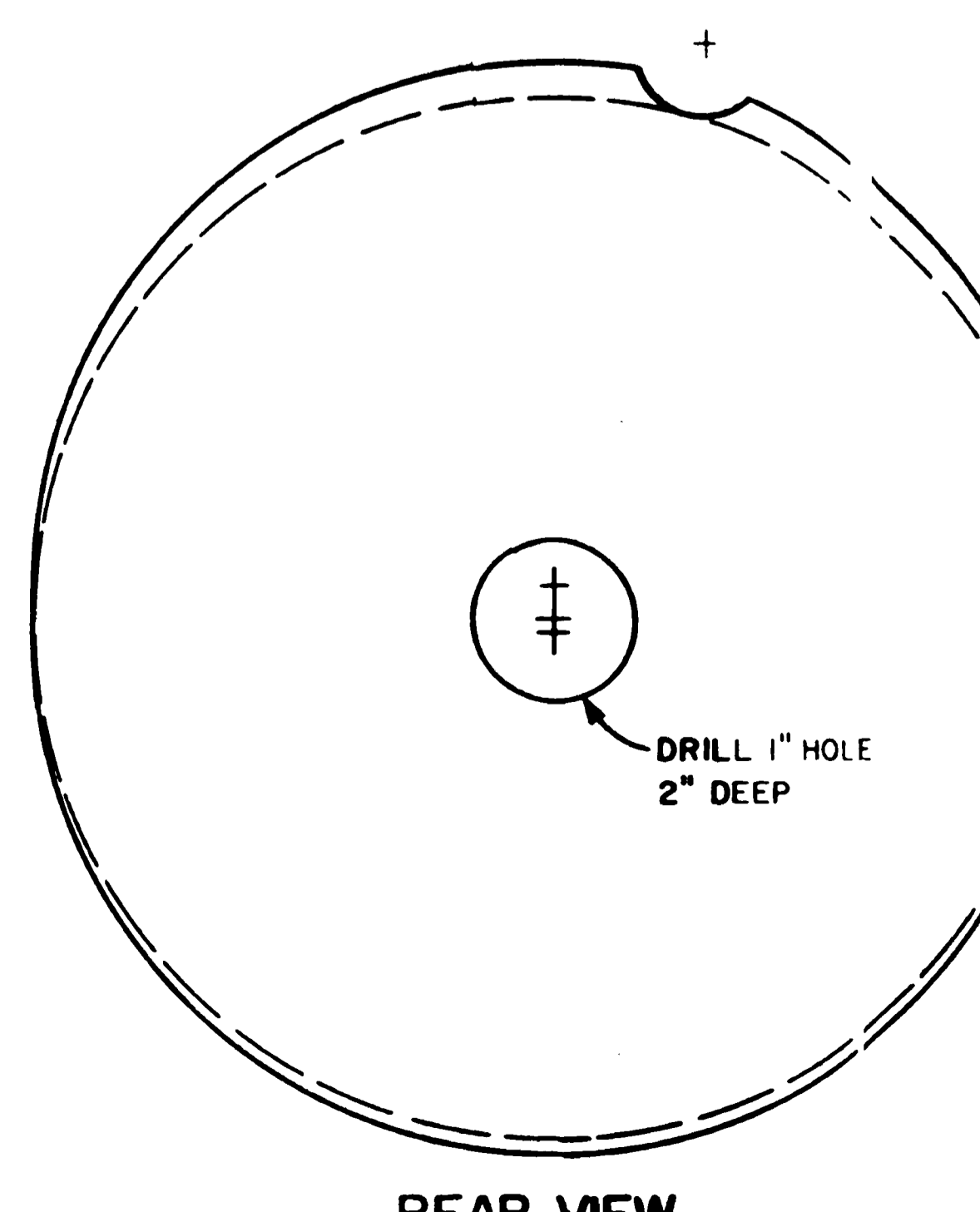
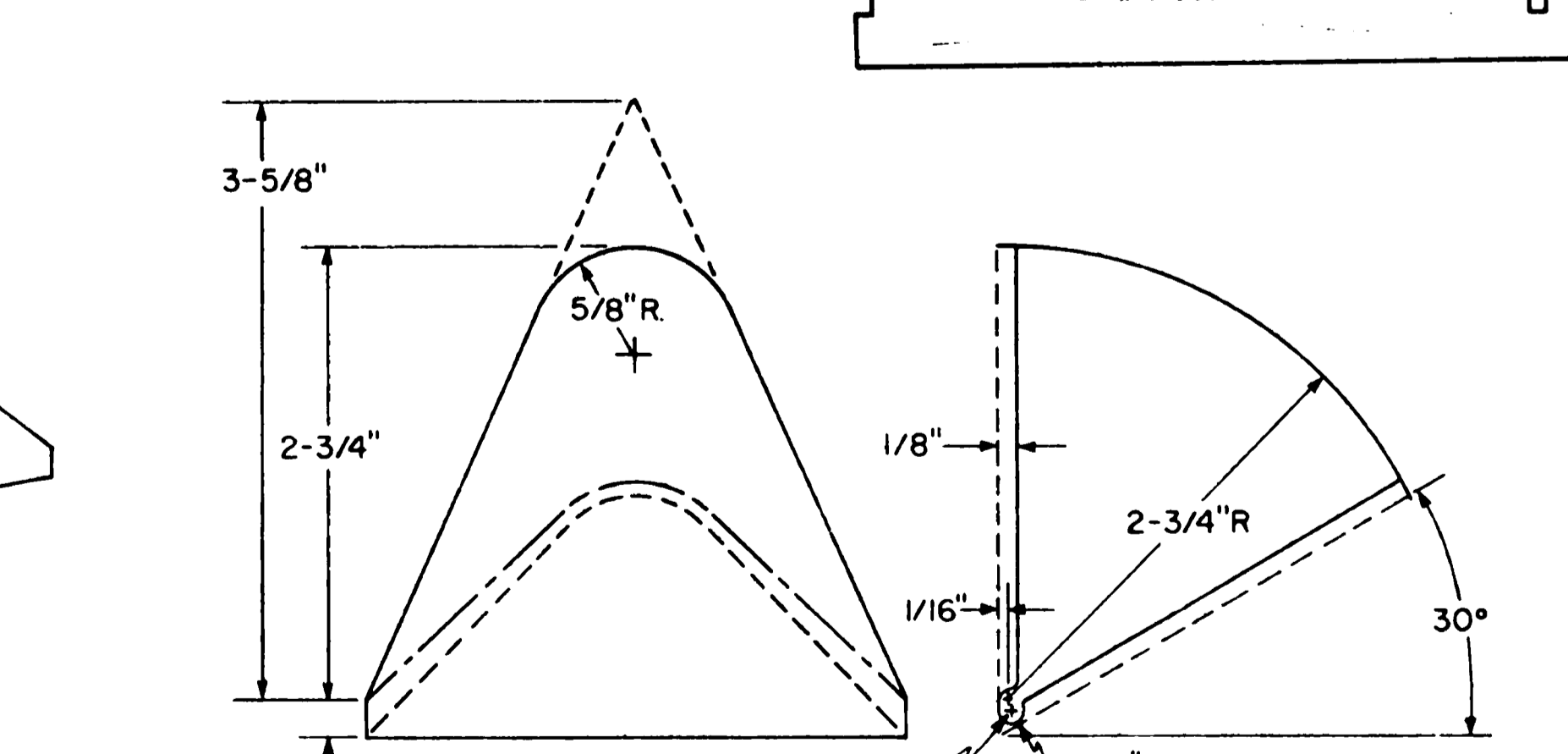
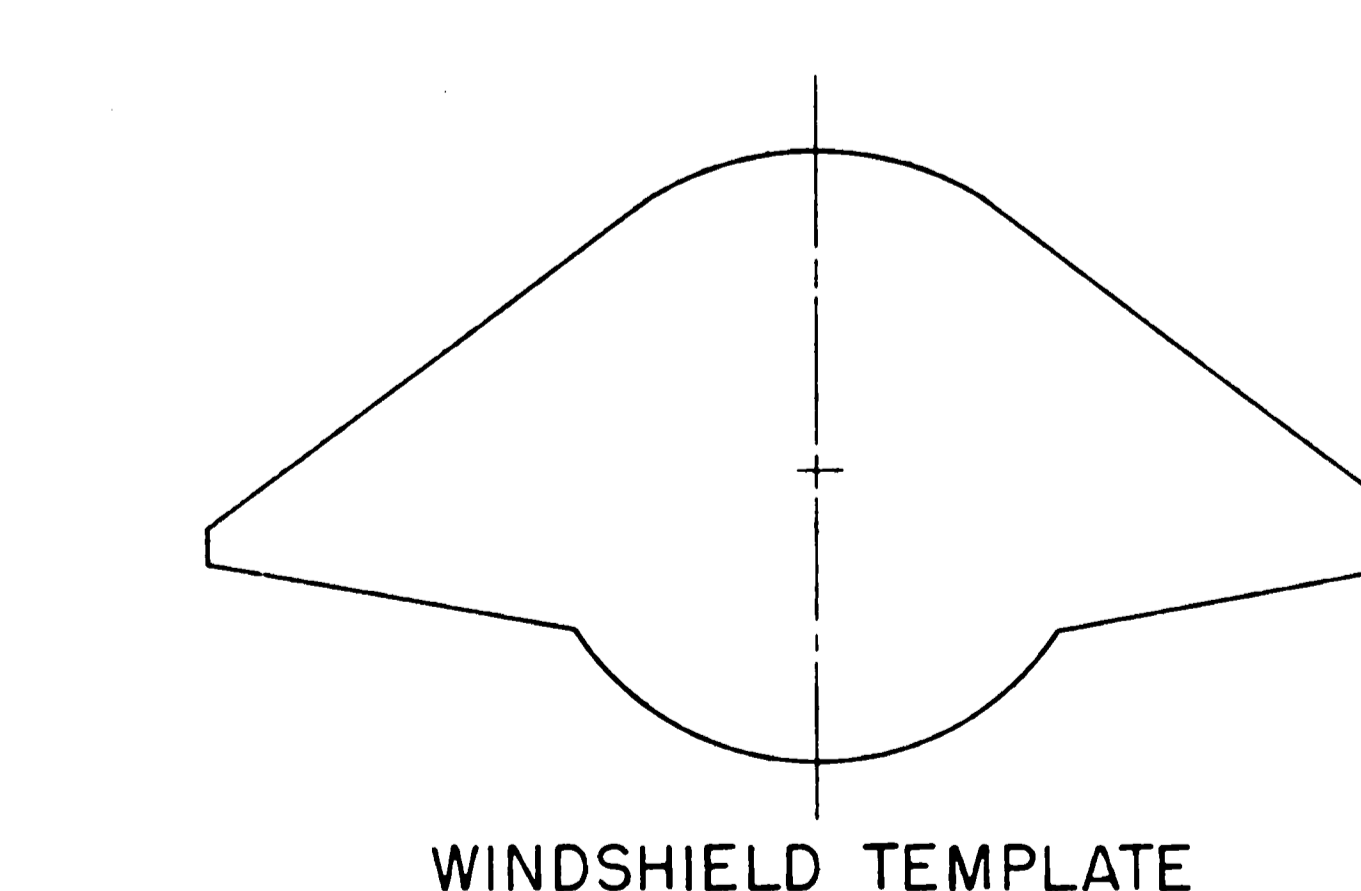
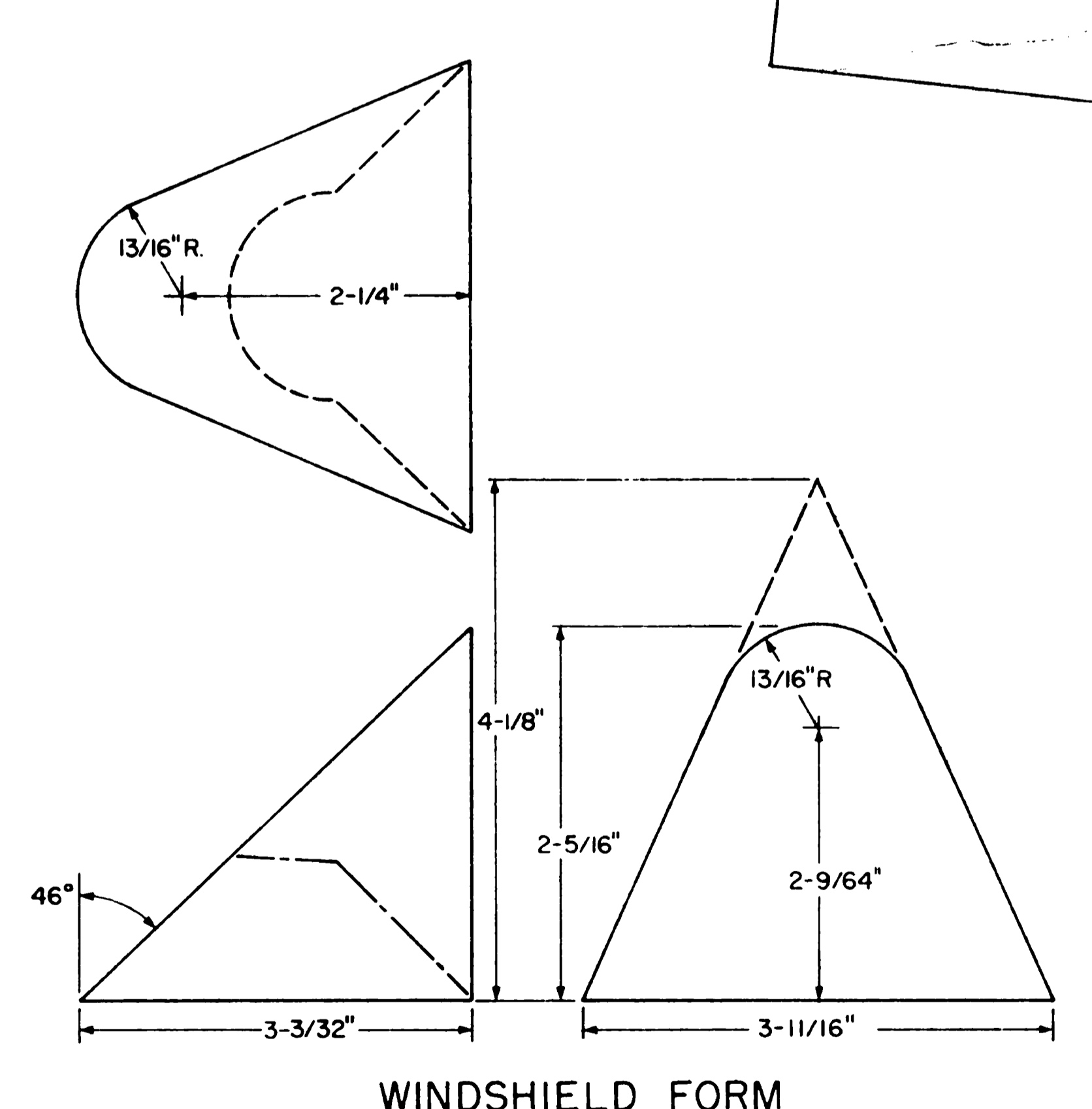
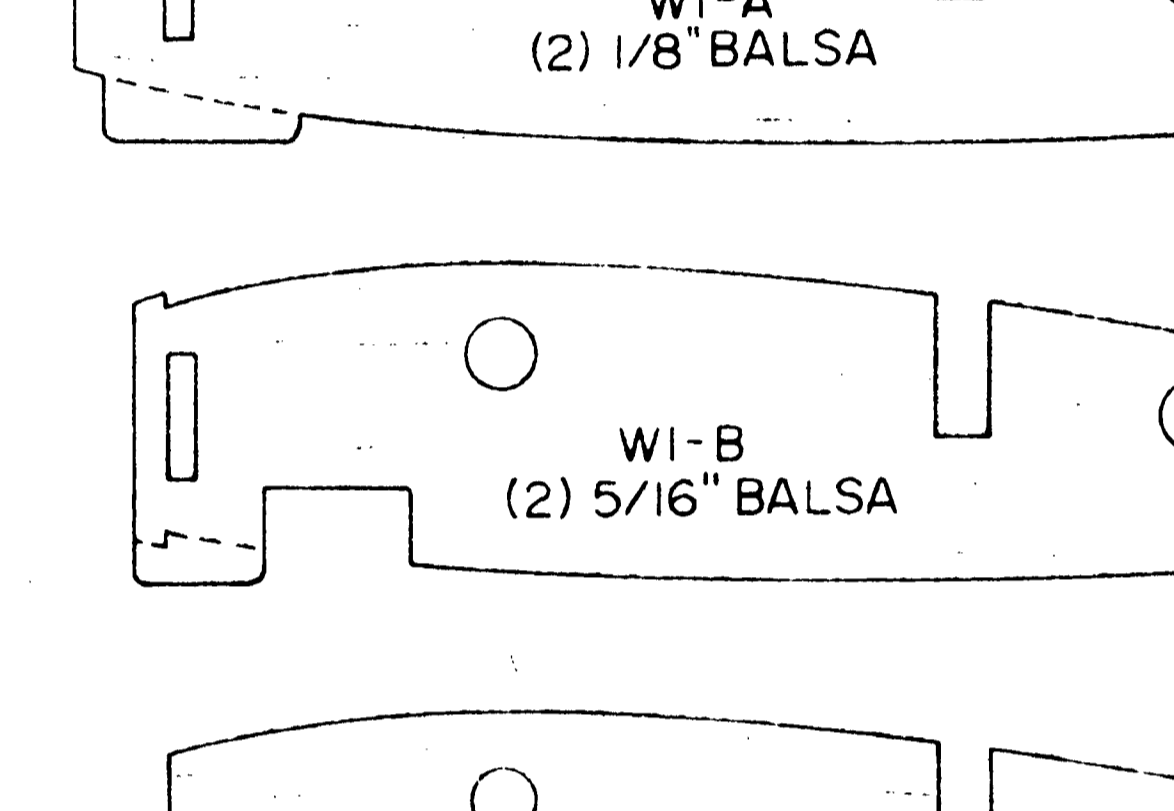
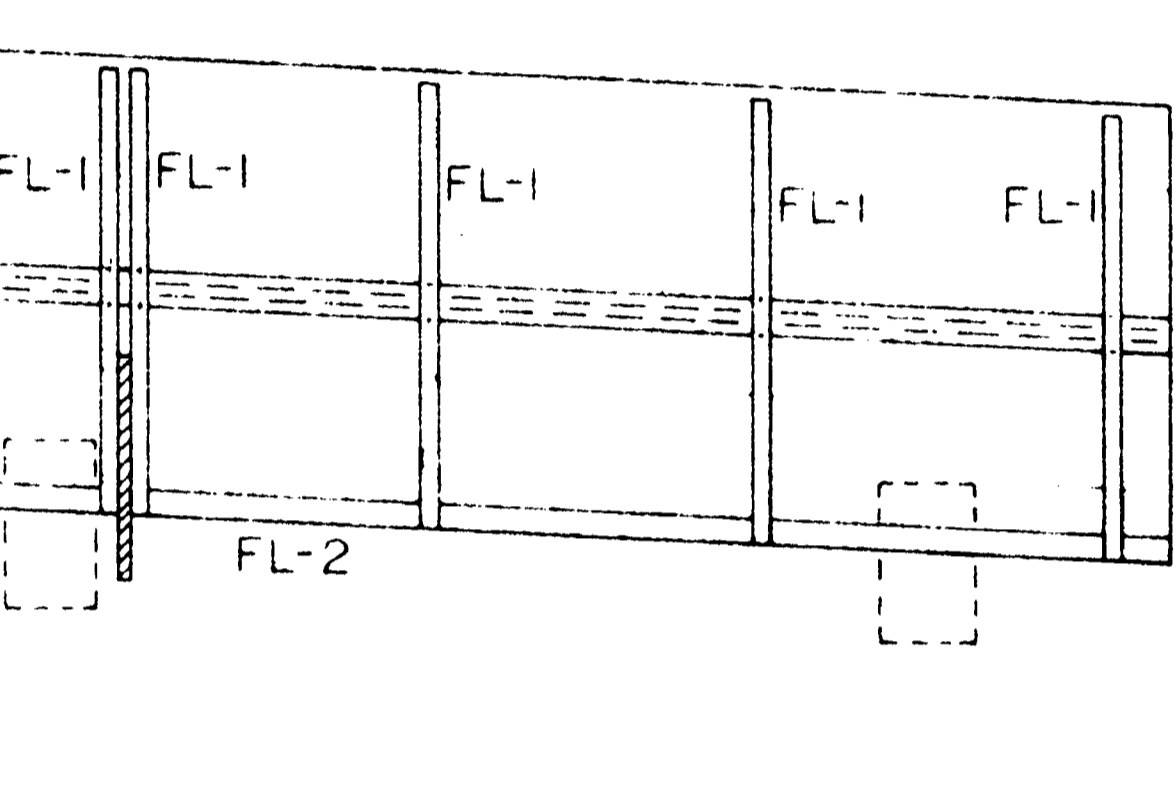
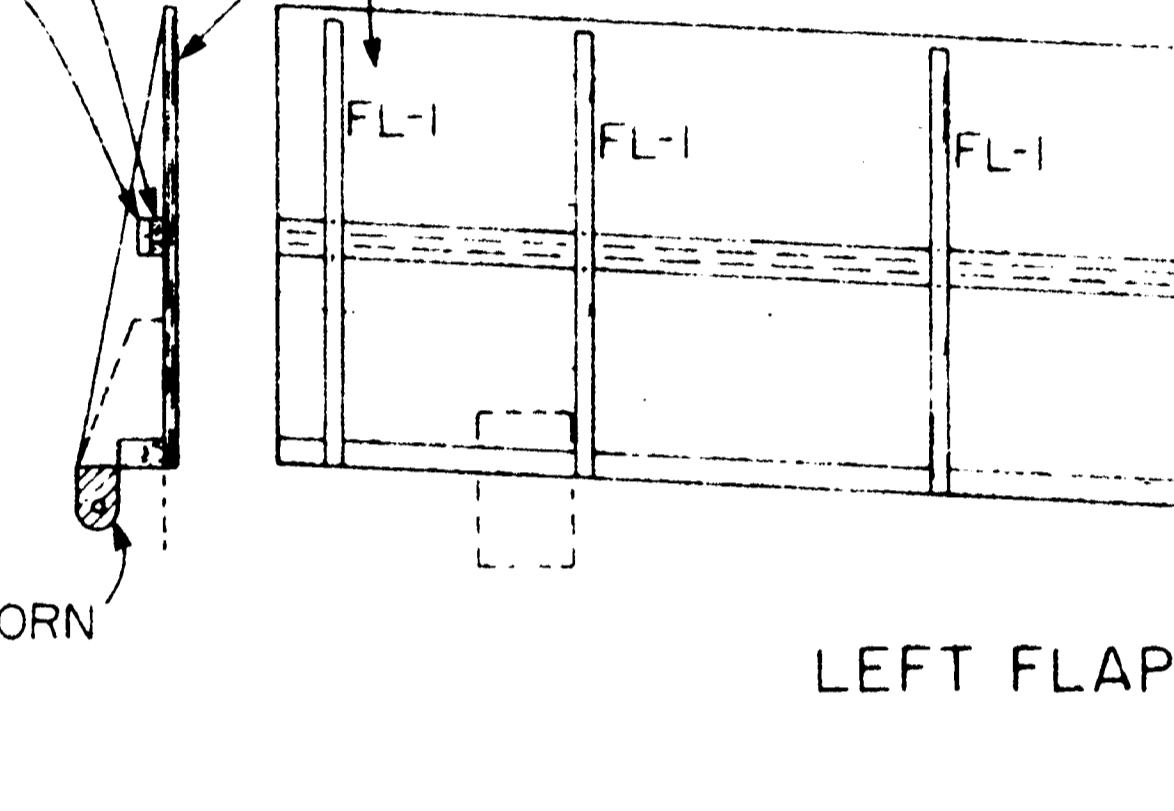
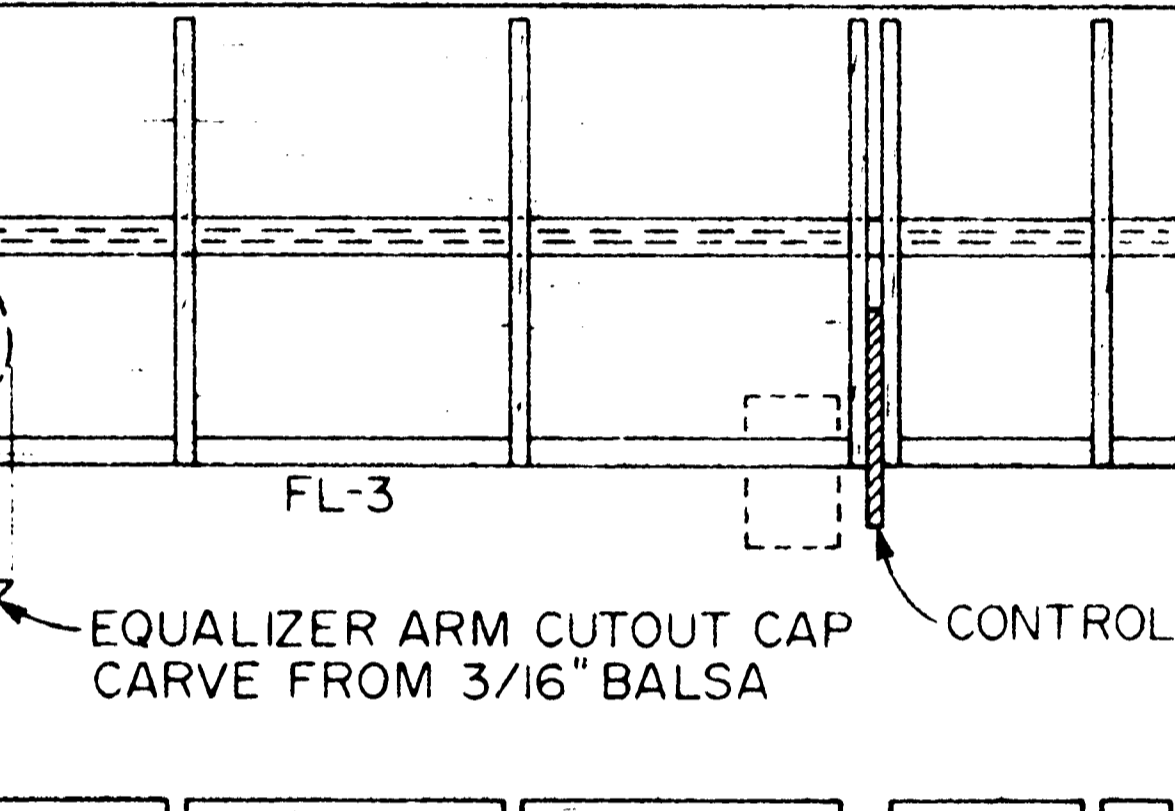
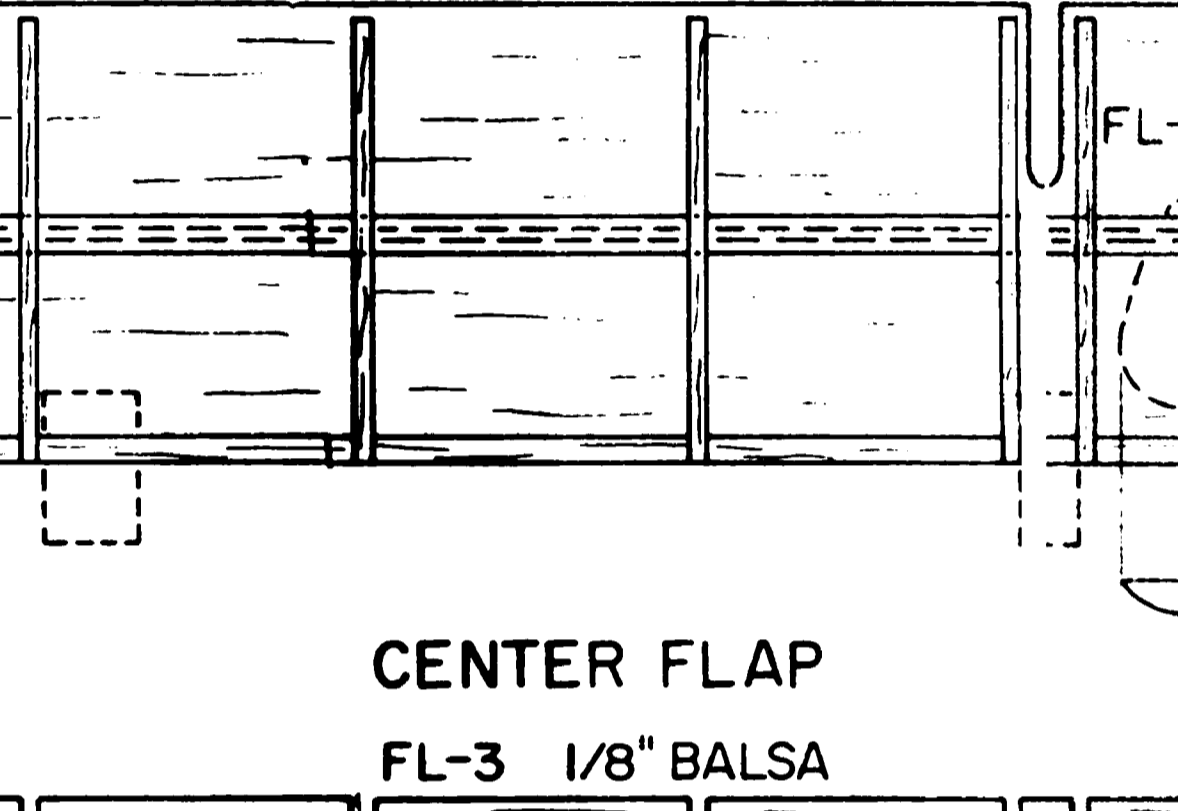
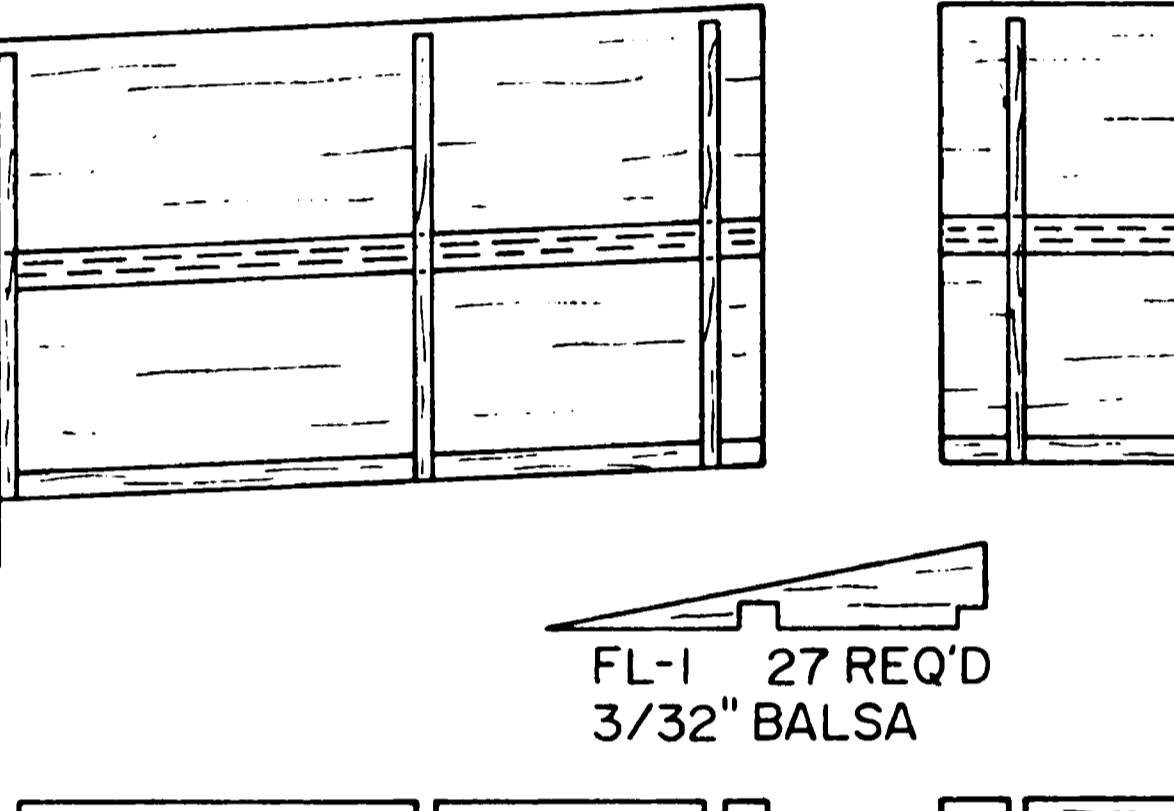
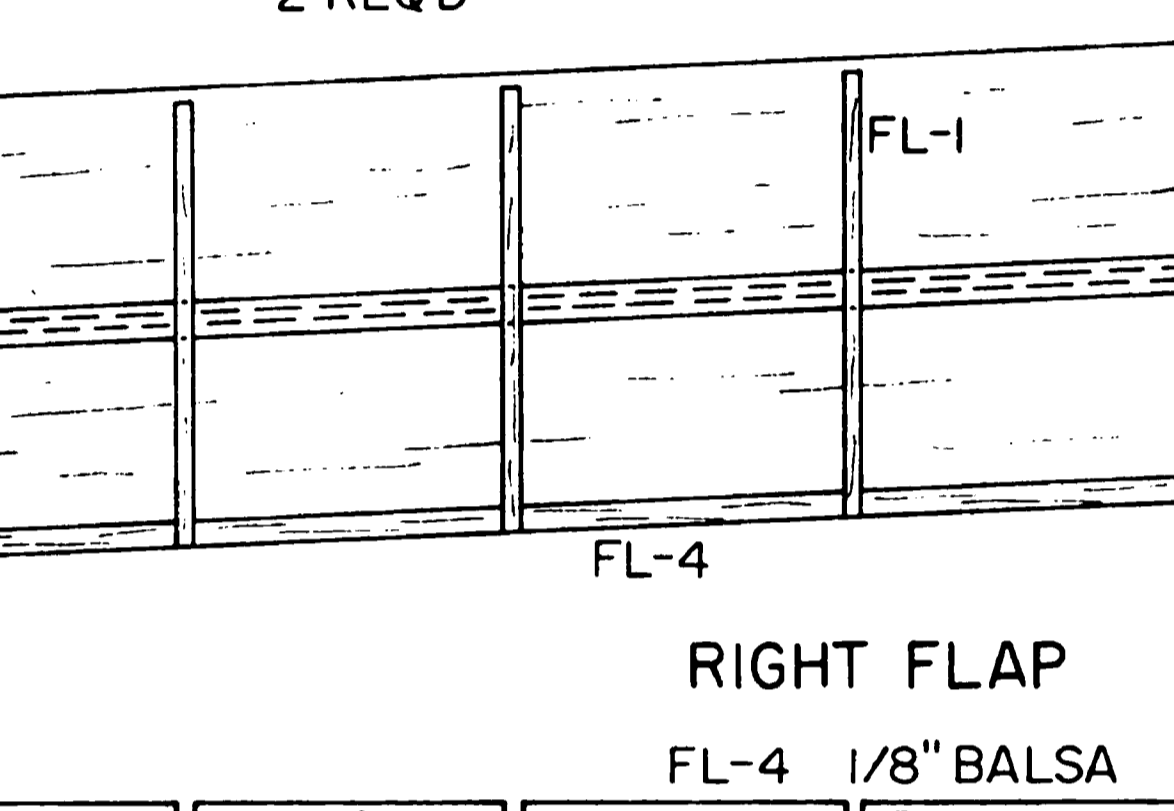
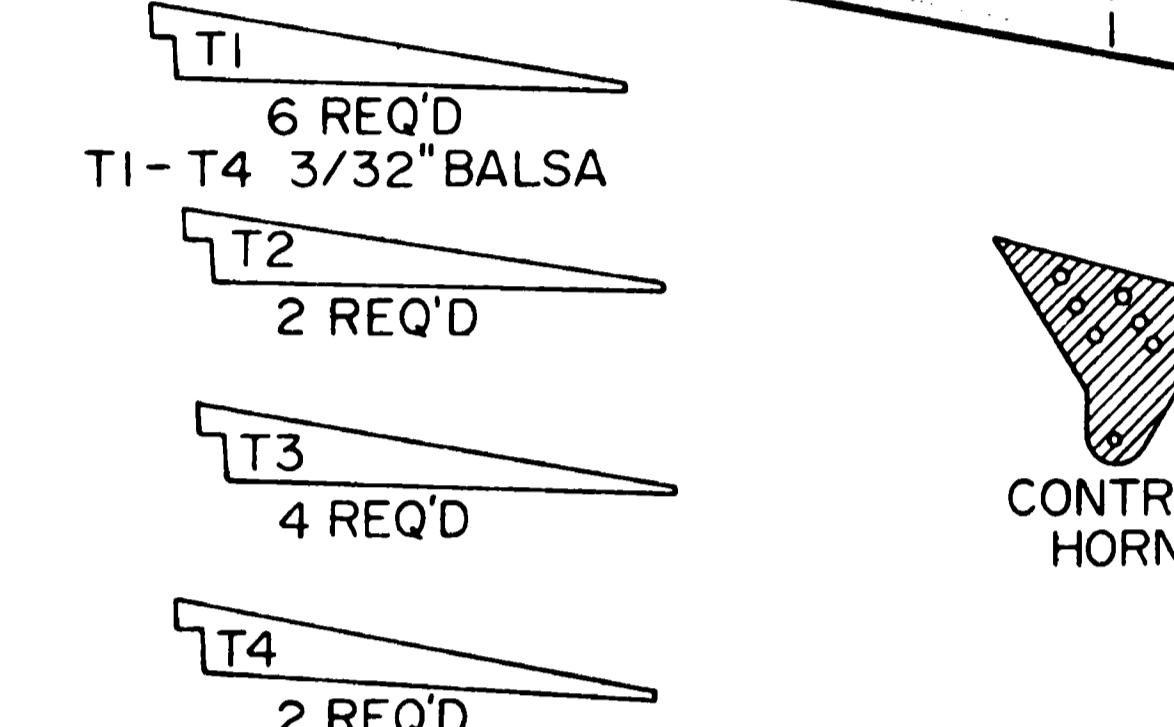
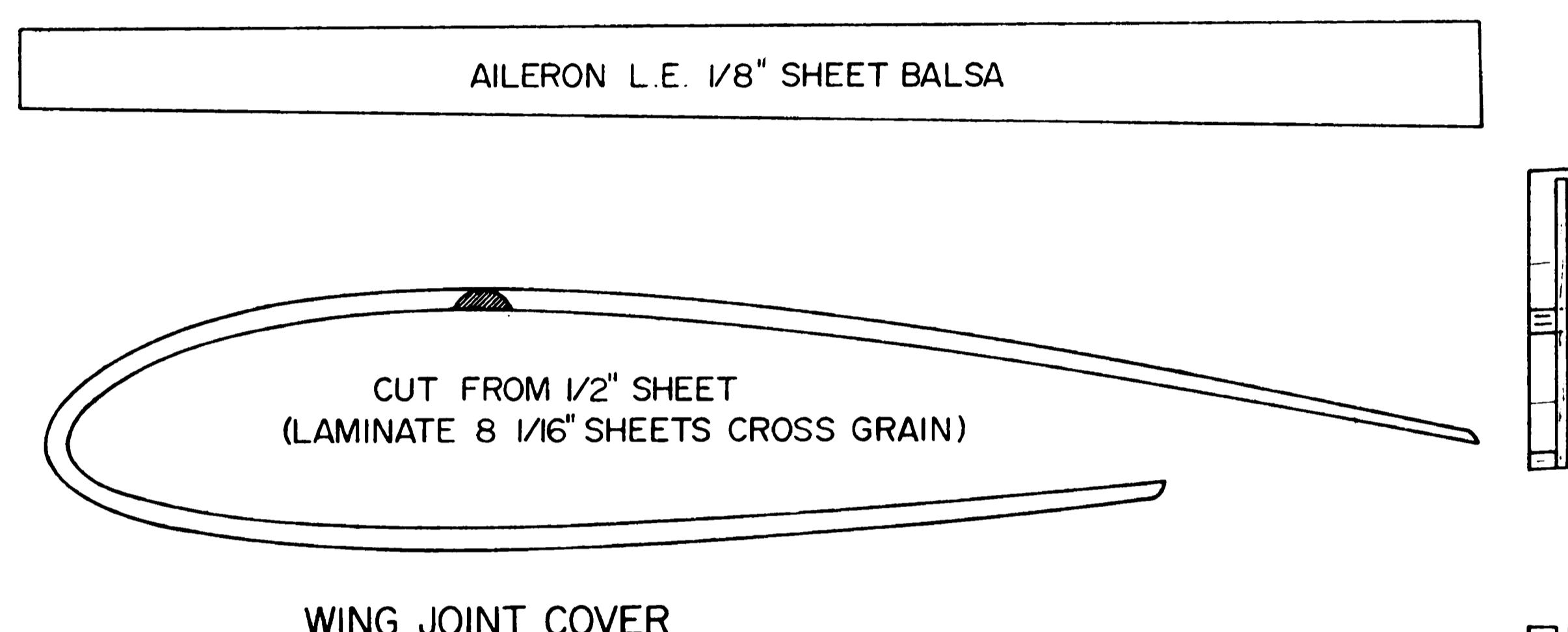
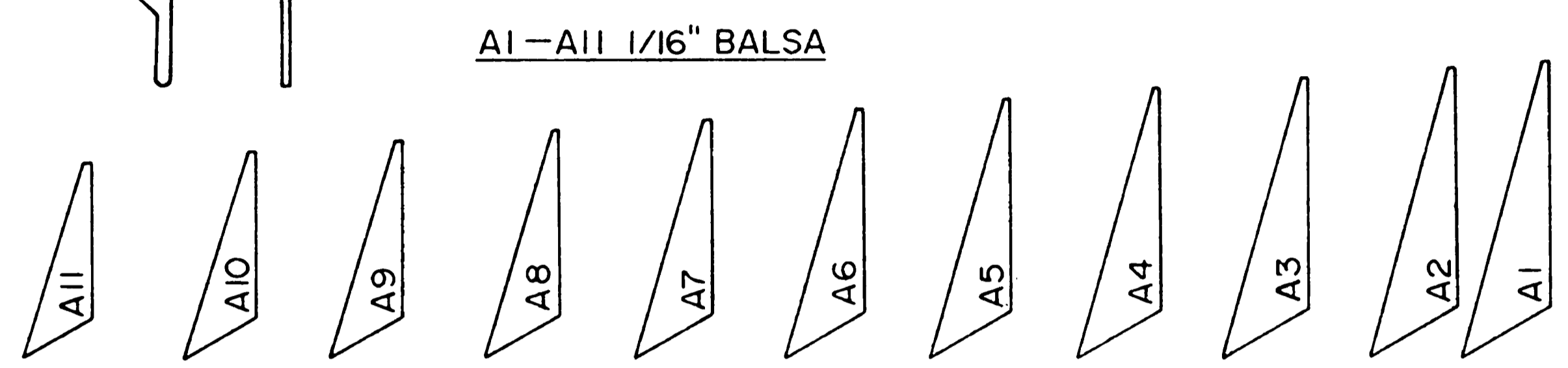
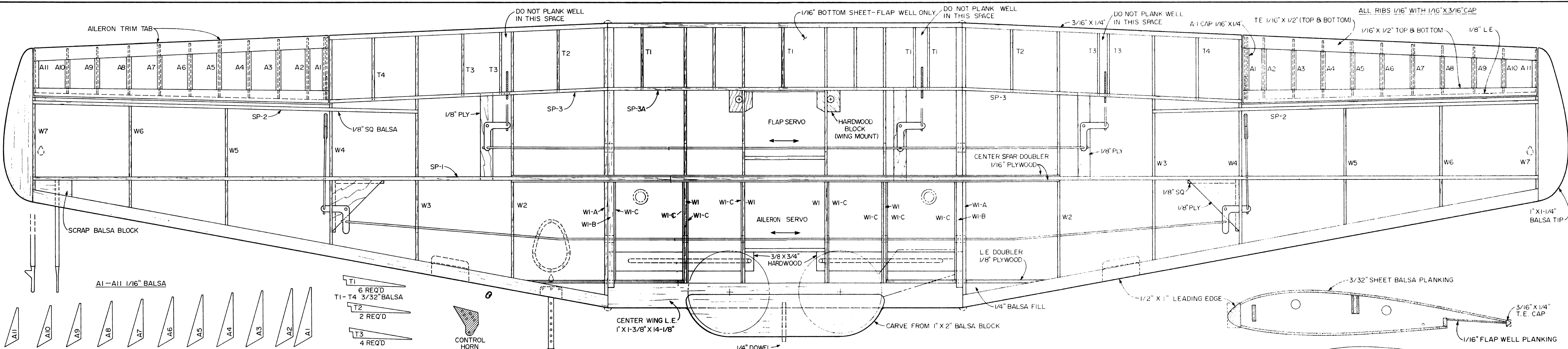
SCALE NORTH AMERICAN T-6F "TEXAN"

PLATE 1 OF 2

T-6F TEXAN

DESIGNED & DRAWN BY J.A. (AL) HOLMES INKED BY DICK KIDD RANDY KIDD

0 1 2 3 4 5 6



**NORTH AMERICAN T-6F "TEXAN"**  
 SCALE: 1:468" = 1'-0"  
 WING SPAN: 62.023"  
 WING AREA: 682 SQ. IN.  
 LENGTH: 41.75"  
 WEIGHT: 7-1/2 TO 9-1/4 LBS.  
 POWER: 60 CU. IN. OR LARGER