

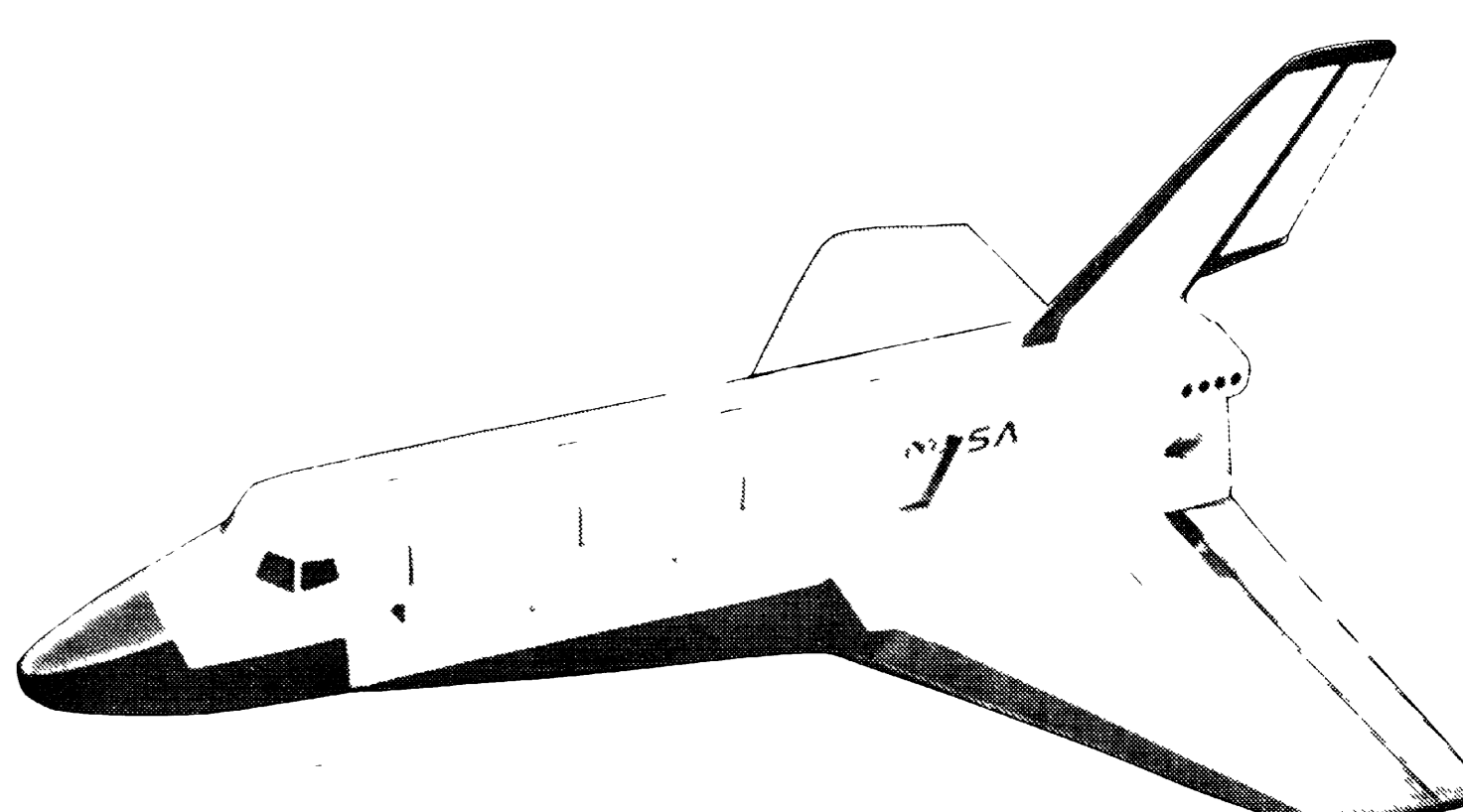
NOTES:

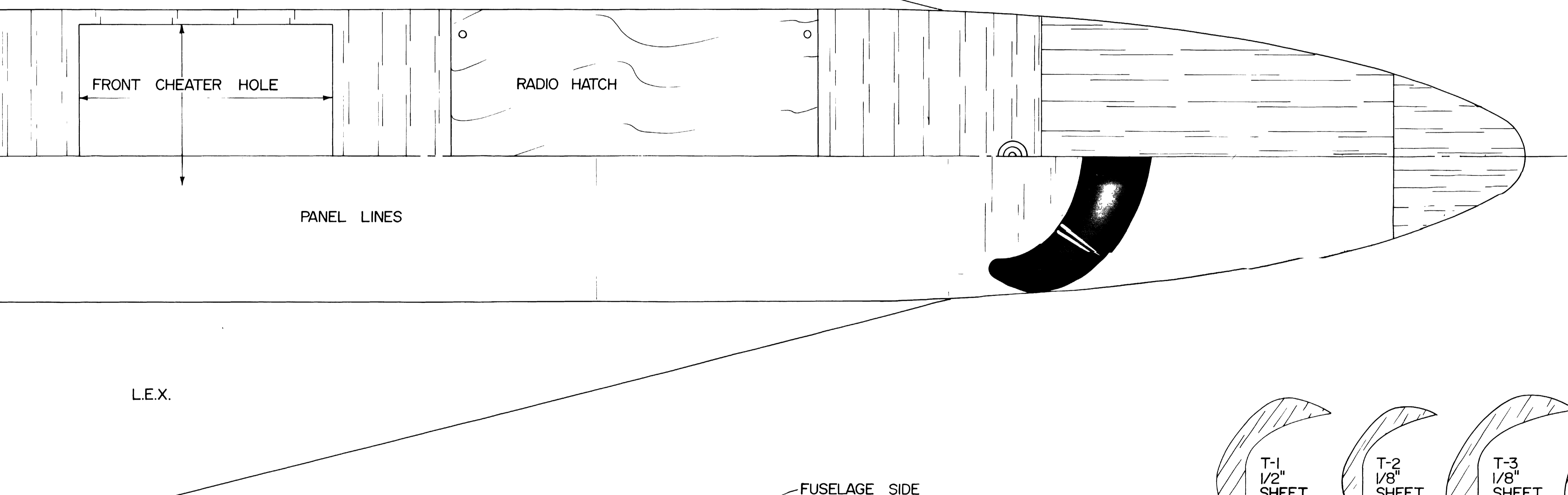
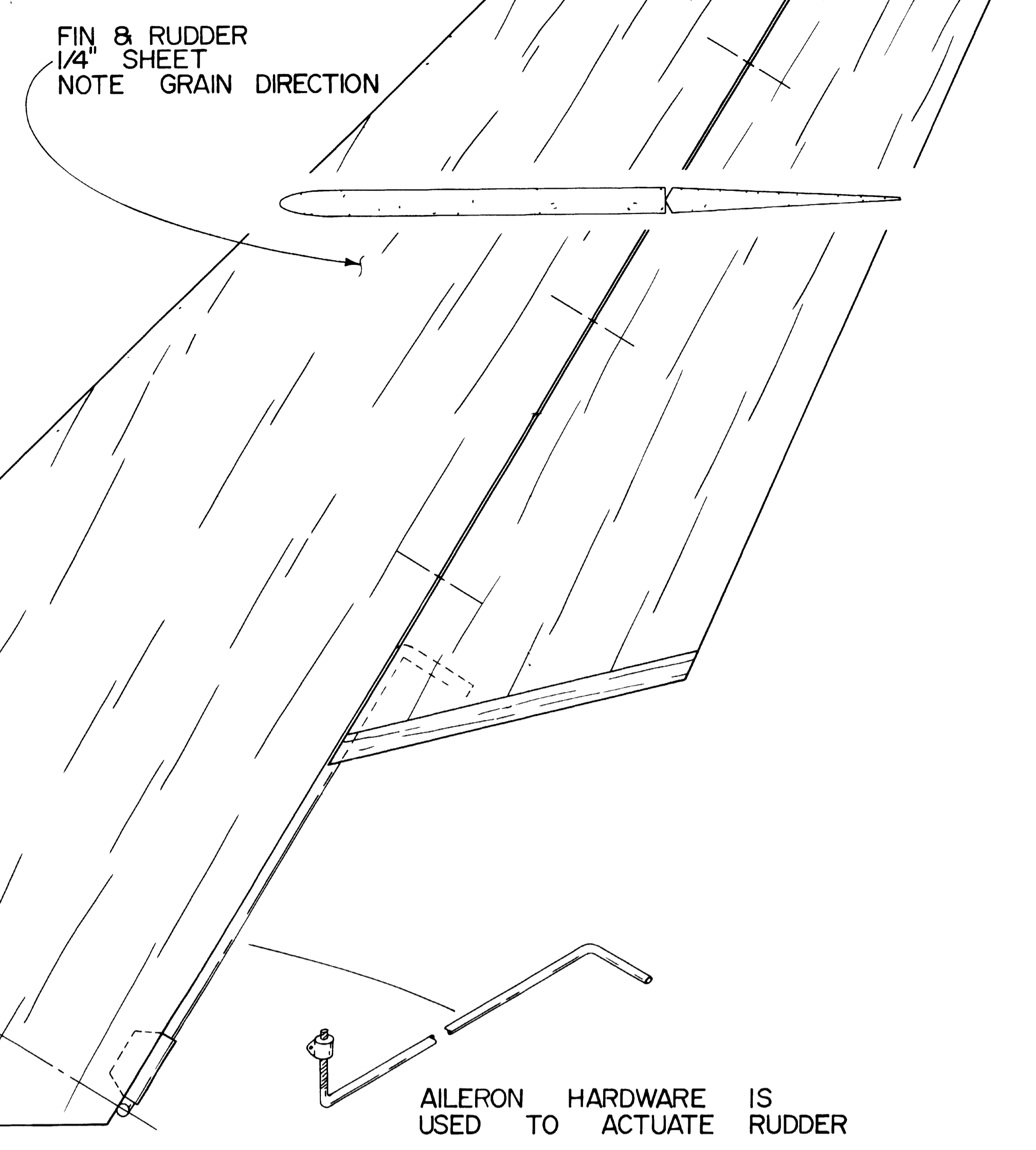
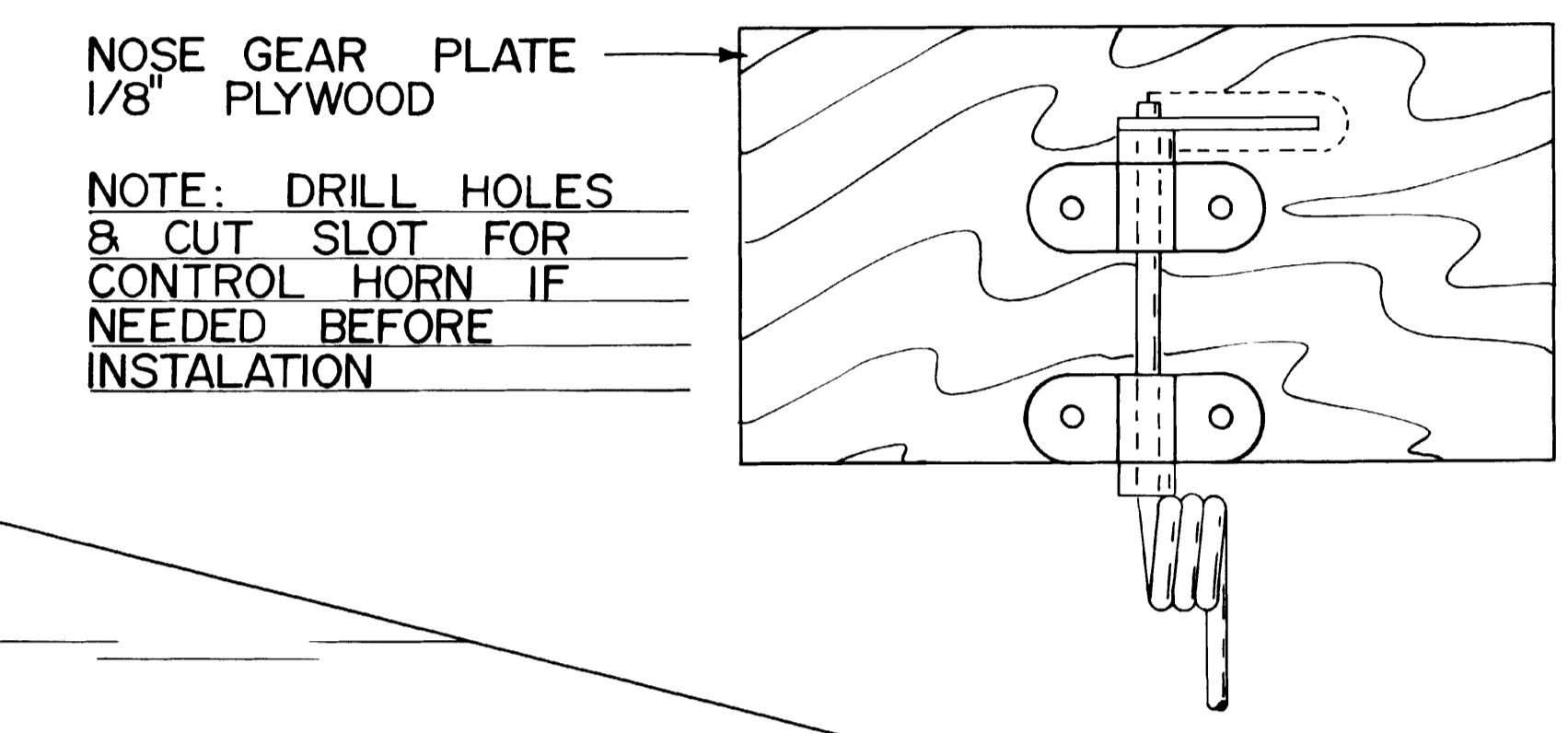
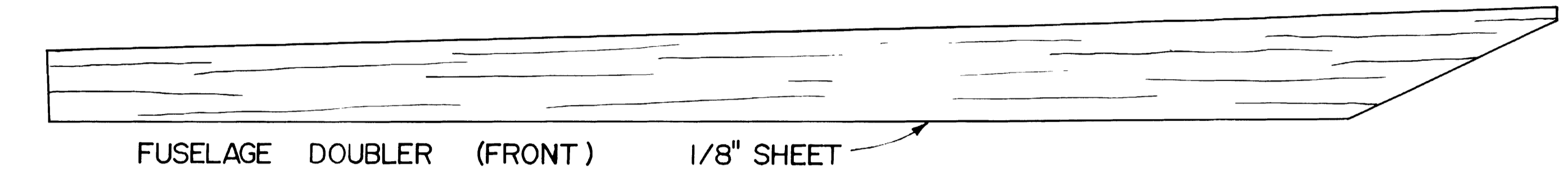
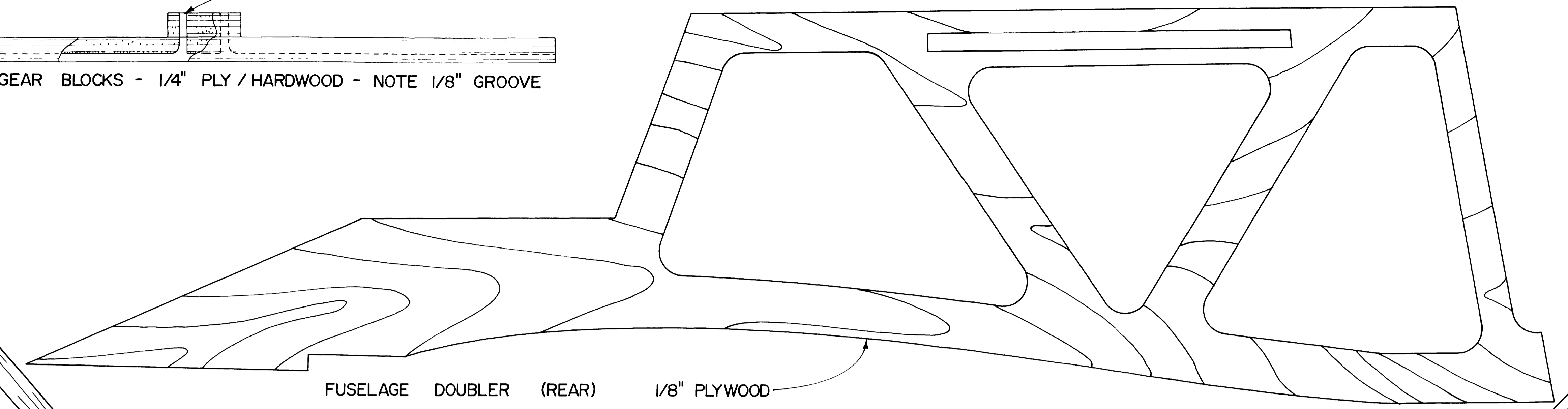
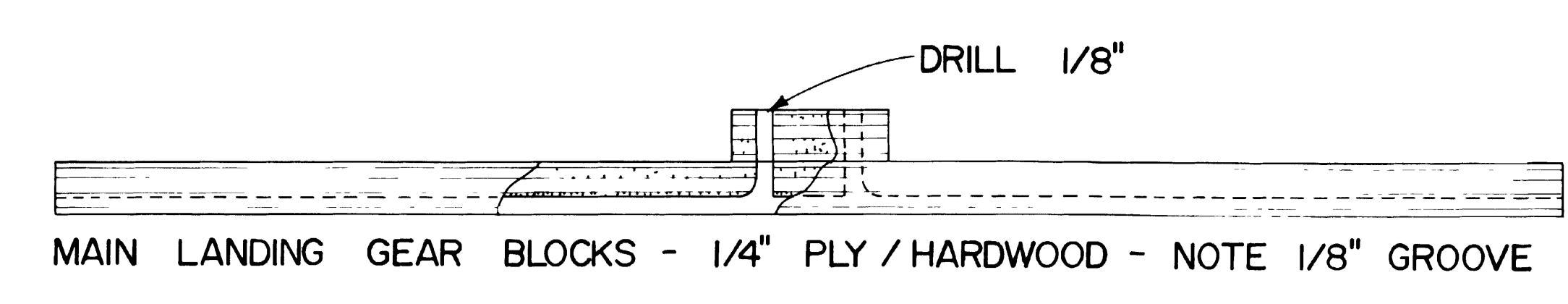
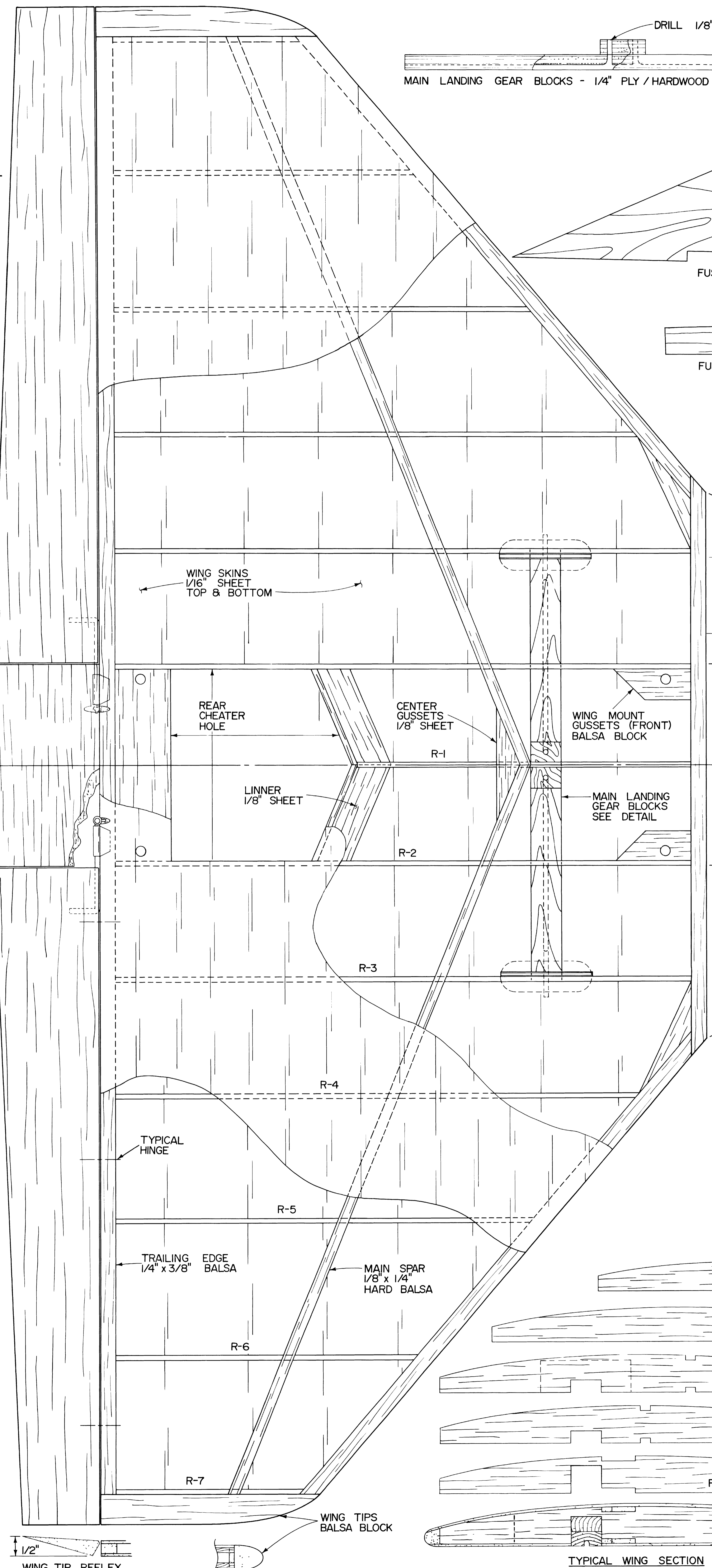
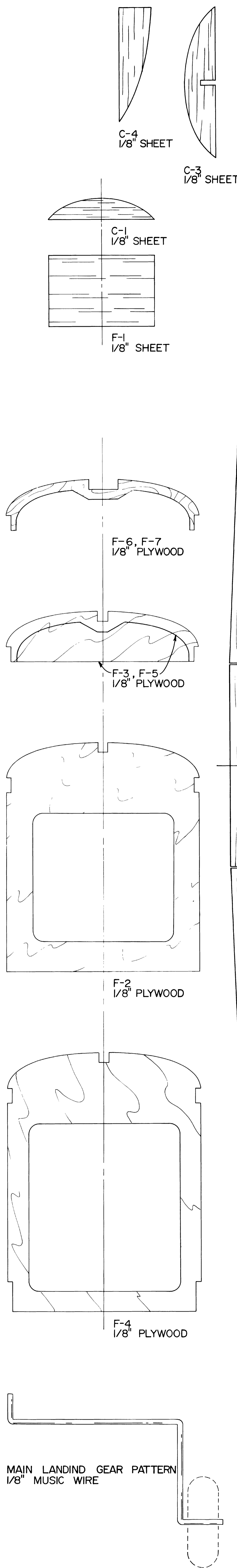
ALL MATERIAL Balsa UNLESS OTHERWISE NOTED

▲ DENOTES FUSELAGE SIDE LIMIT 1/8" Balsa

△ DENOTES FUSELAGE DOUBLER LIMIT 1/8" PLY

\* DENOTES PART PATTERN AVAILABLE ON PLAN





**NOTES**  
ALL MATERIAL Balsa UNLESS OTHERWISE NOTED ON PLANS

