

1/4" X 3/32" PLY DIHEDRAL BRACE MAKE 8

1" DIHEDRAL EACH TIP

TIP DETAIL

1/4" SQUARE HINGE BACK UP

3/32" SHEET Balsa TOP & BOTTOM FROM SPAR TO T/E

1/8" PLY MOUNT FOR AILERON HORN

1/4" X 3/32" CAP STRIPS TOP & BOTTOM

1/8" PLY

1/4" SQ SPAR TOP & BOTTOM

1/16" WEBBING BETWEEN SPARS GRAIN VERTICAL

3/32" PLY CENTER RIBS

RUBBER BAND SPRINGING ACTION FOR LANDING GEAR

FUSELAGE SIDES MAKE TWO FROM 3/32" SHEET Balsa

FABRIC

GIVE AILERONS FULL THROW

1/4" SQ SPAR - TOP & BOTTOM

3/32" DIHEDRAL BRACES TOP & BOTTOM

LAMINATE TWO 1/8" X 1/4" HARDWOOD STRIPS SOAK, GLUE WITH TITEBOND ALLOW TO SET IN JIG MADE WITH NAILS

5/16" X 5/8" LEADING EDGE

D MAKE SAME AS C, ONLY FROM 1/8" PLY AND 1/2" SHORTER

C MAKE ONE FROM 3/16" SHEET Balsa

LAMINATE FROM TWO 1/8" SHEET CROSSGRAIN

1/4" TIP BLOCKS

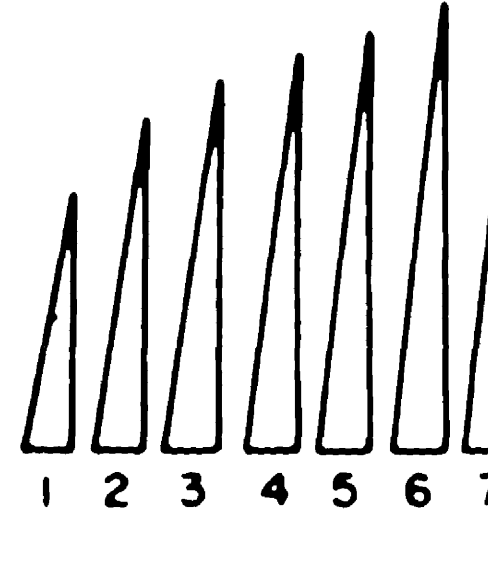
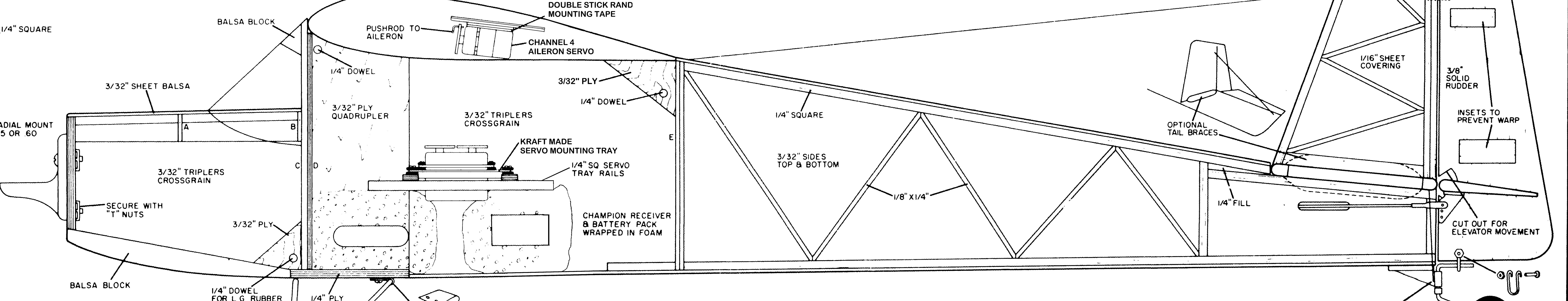
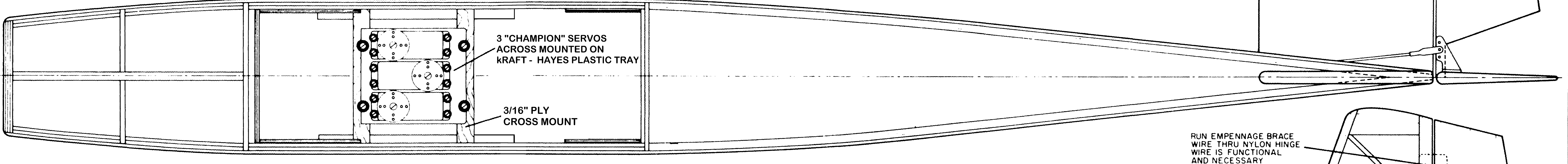
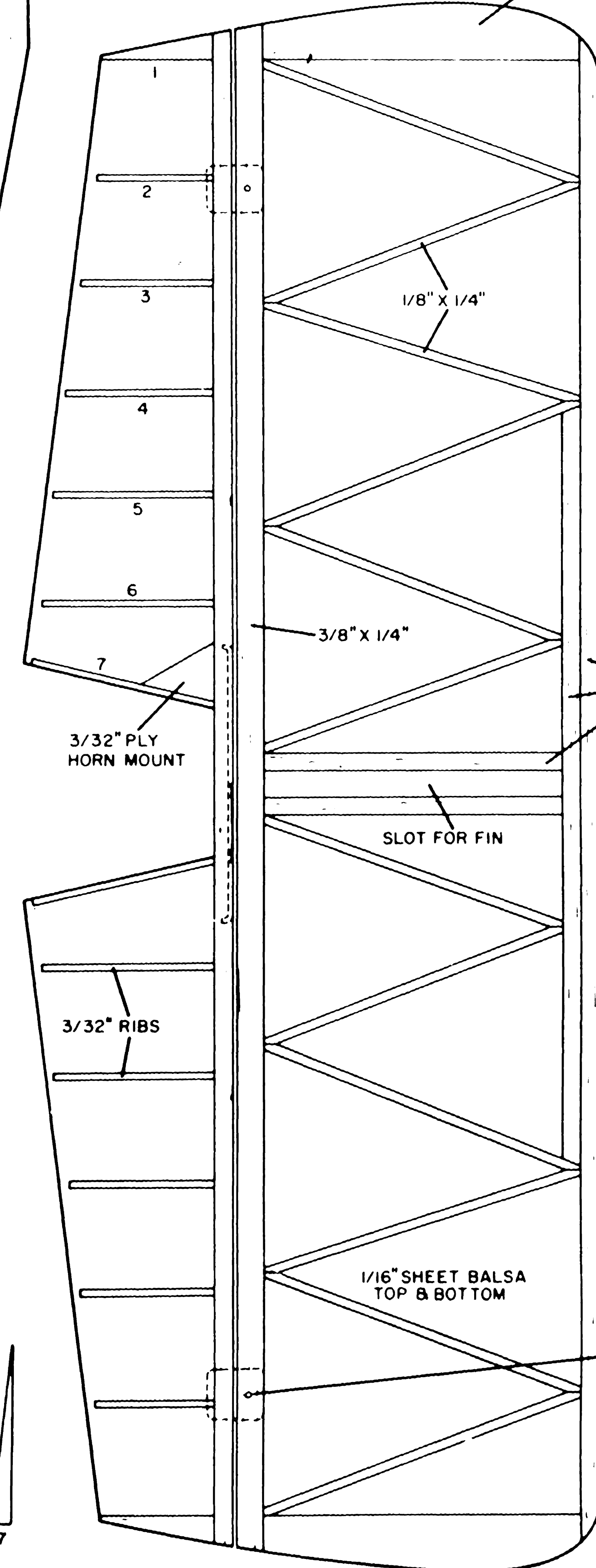
MAKE 20 FROM 3/32" SHEET Balsa

5/16" X 5/8" LEADING EDGE

1/4" SQ SPARS

CENTER RIB MAKE TWO FROM 3/32" PLYWOOD

CUT AILERONS OUT AFTER WING IS SHEETED FACE WITH 3/32" SHEET Balsa

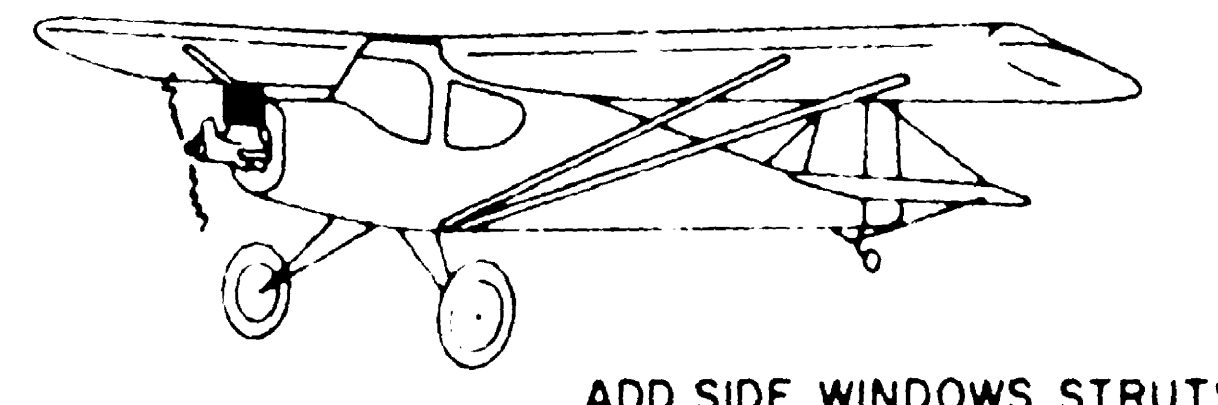


STAB CUT 1/16" SHEET TO OUTLINE, PIN DOWN, THEN ADD RIBS, SPARS, TIPS

FIREWALL 1/4" PLY

A 1/8" Balsa

B 1/8" Balsa



ADD SIDE WINDOWS, STRUTS FOR MORE SCALE APPEARANCE

**SOUTHERN GENTLEMAN**  
 DESIGNED & DRAWN BY WALT MITCHELL INKED BY GERARDO FLORES  
 0 1 2 3 4 5 6