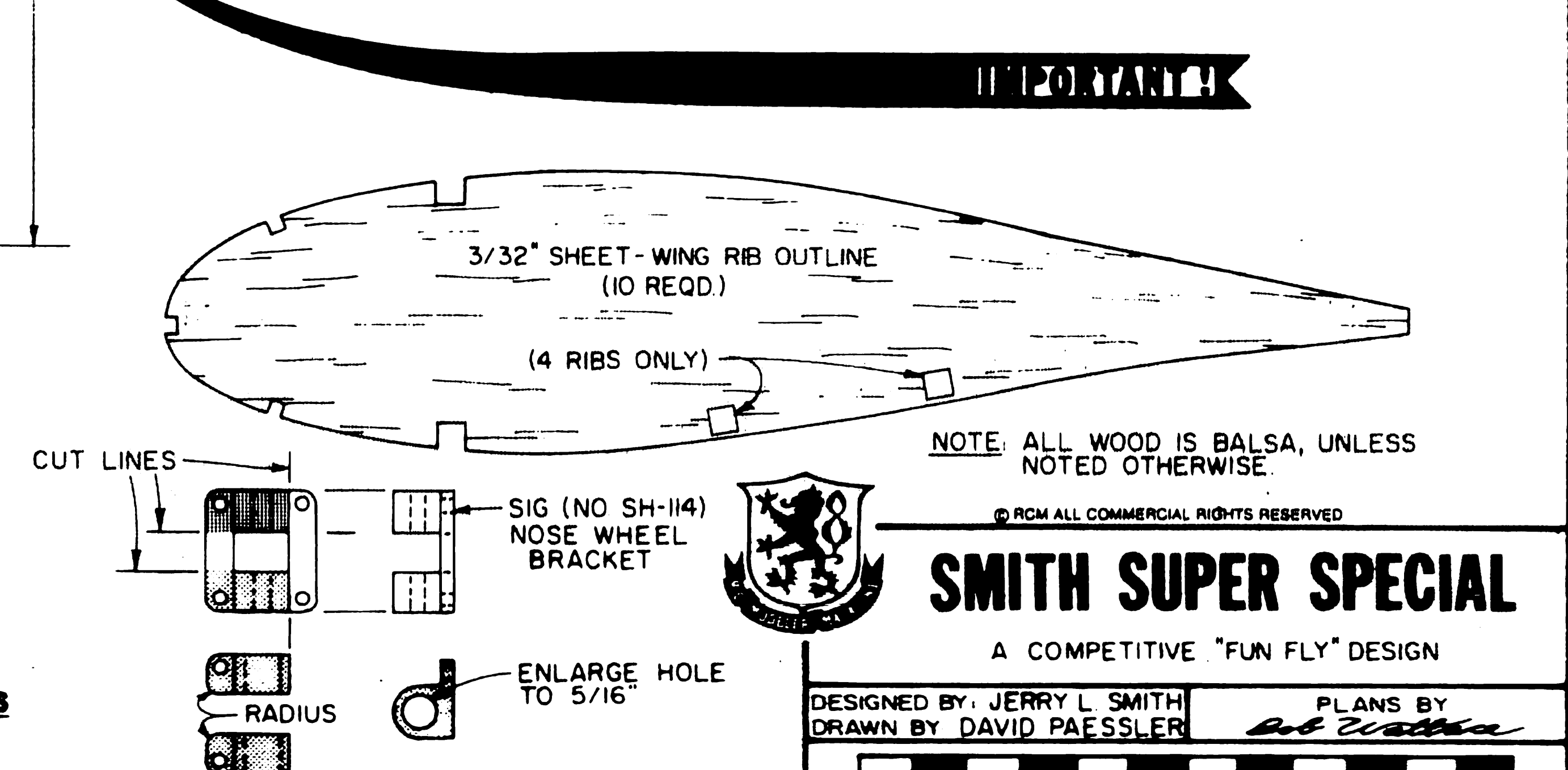
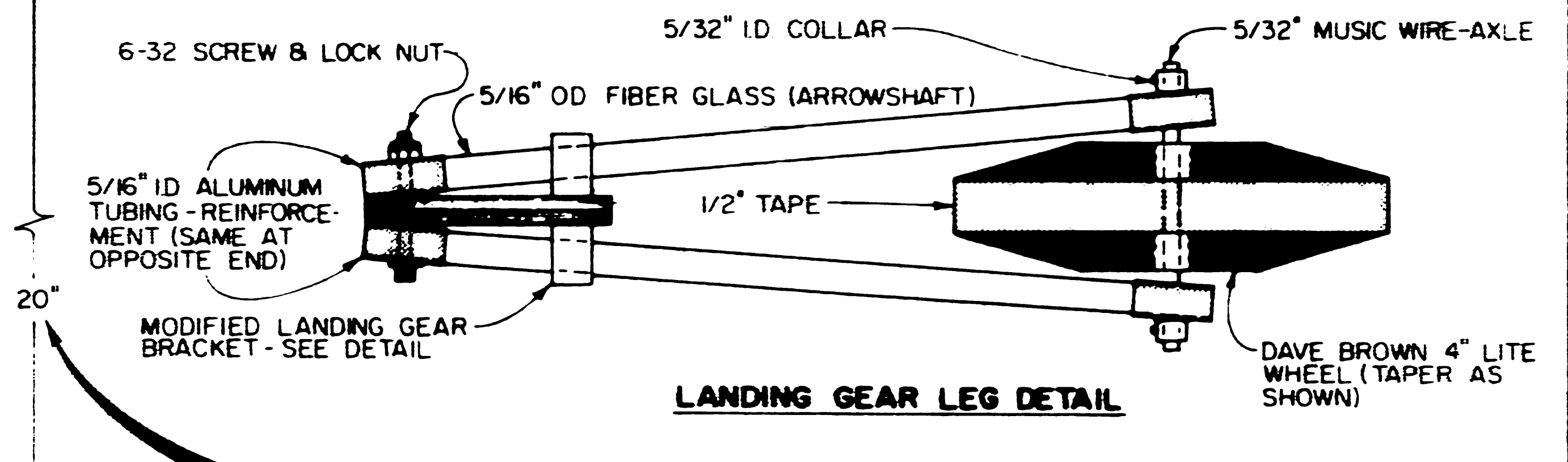
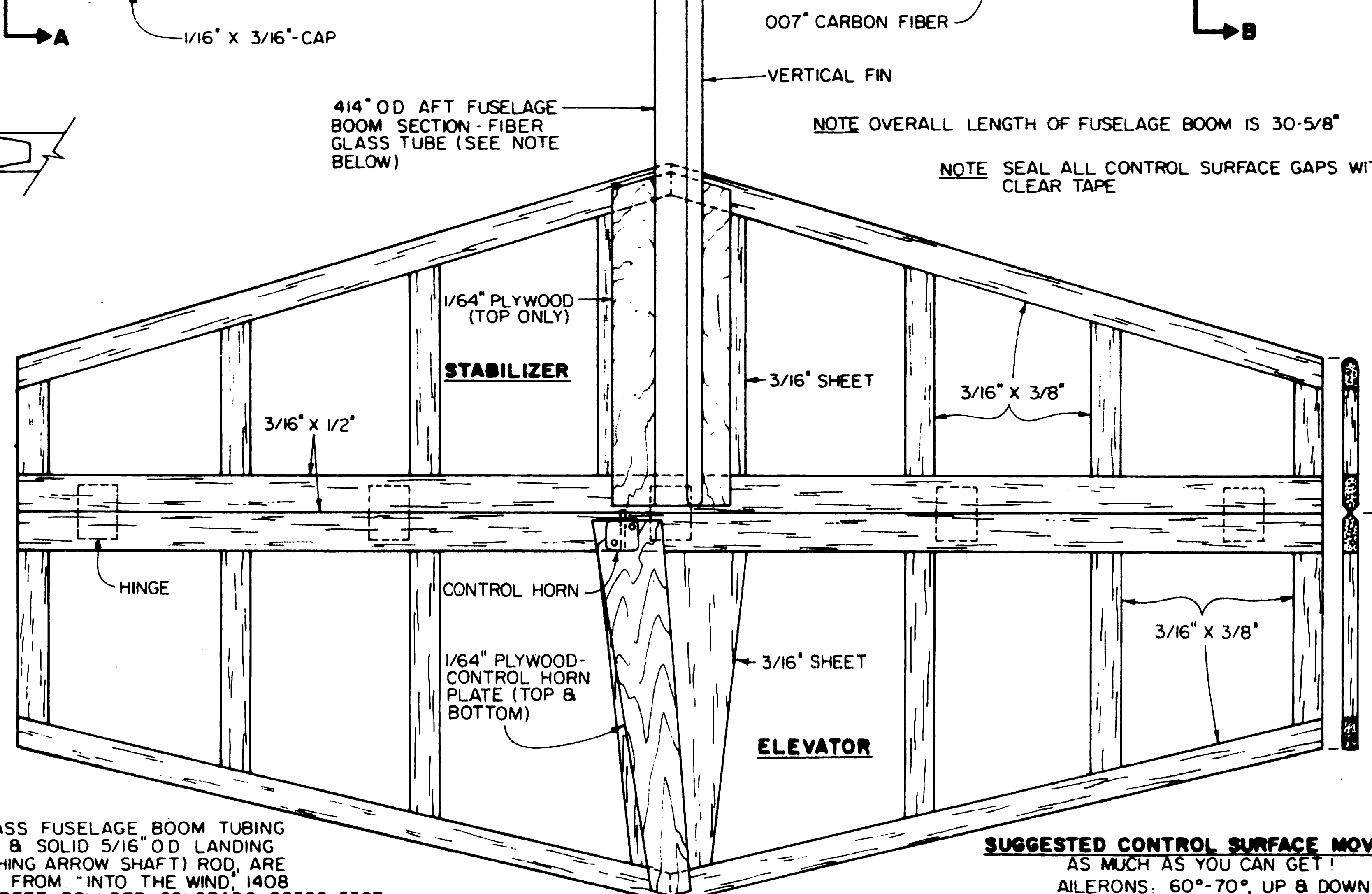
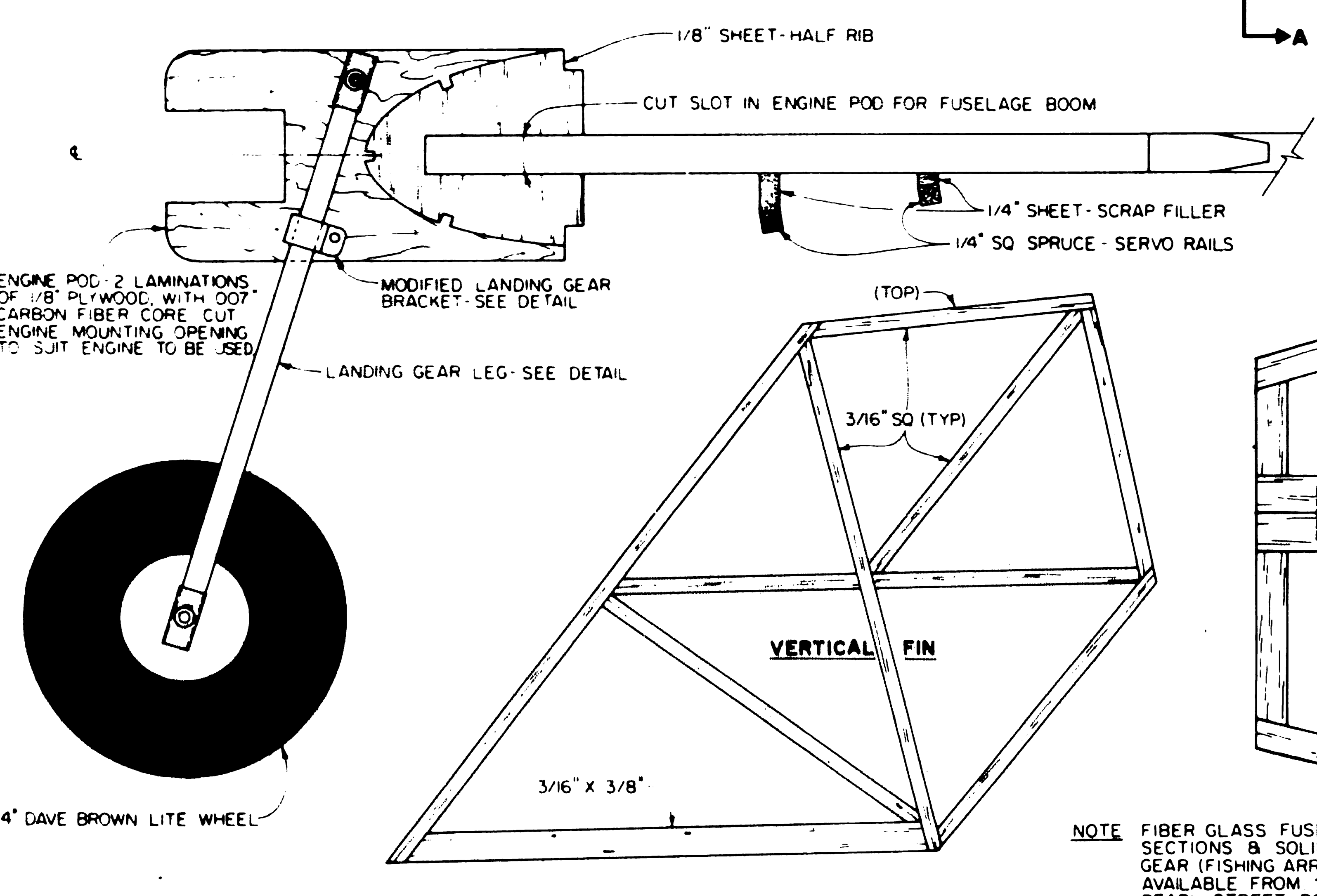
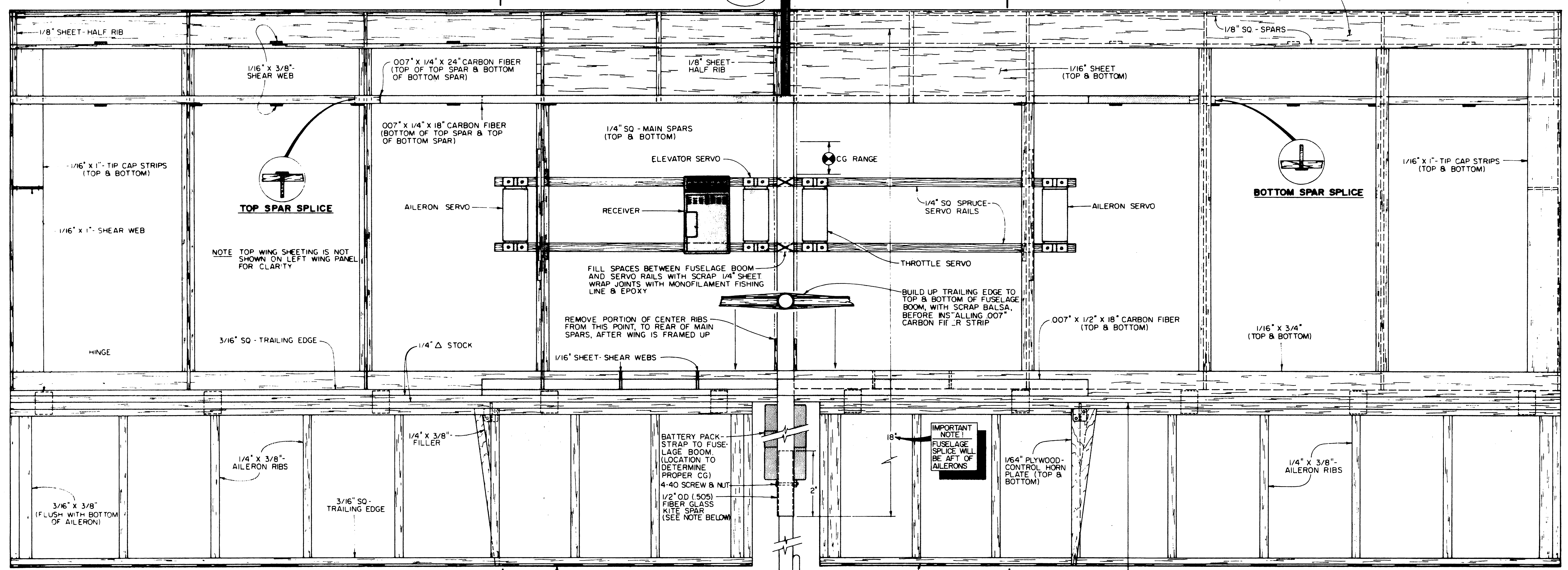


PUSHROD GUIDES ARE AVAILABLE FROM
 R-TECH
 120 MOUNTAIN VIEW DR
 MILFORD CT 06776

ELEVATOR PUSHROD GUIDES



NOTE FIBER GLASS FUSELAGE, BOOM TUBING SECTIONS & SOLID 5/16\"/>

SUGGESTED CONTROL SURFACE MOVEMENTS AS MUCH AS YOU CAN GET!
 AILERONS: 60°-70° UP & DOWN
 ELEVATOR: 45° UP & DOWN

NOTE: ALL WOOD IS BALSA, UNLESS NOTED OTHERWISE.

© RCM ALL COMMERCIAL RIGHTS RESERVED

SMITH SUPER SPECIAL
 A COMPETITIVE "FUN FLY" DESIGN

DESIGNED BY: JERRY L. SMITH
 DRAWN BY: DAVID PAESSLER

PLANS BY: *David Paessler*