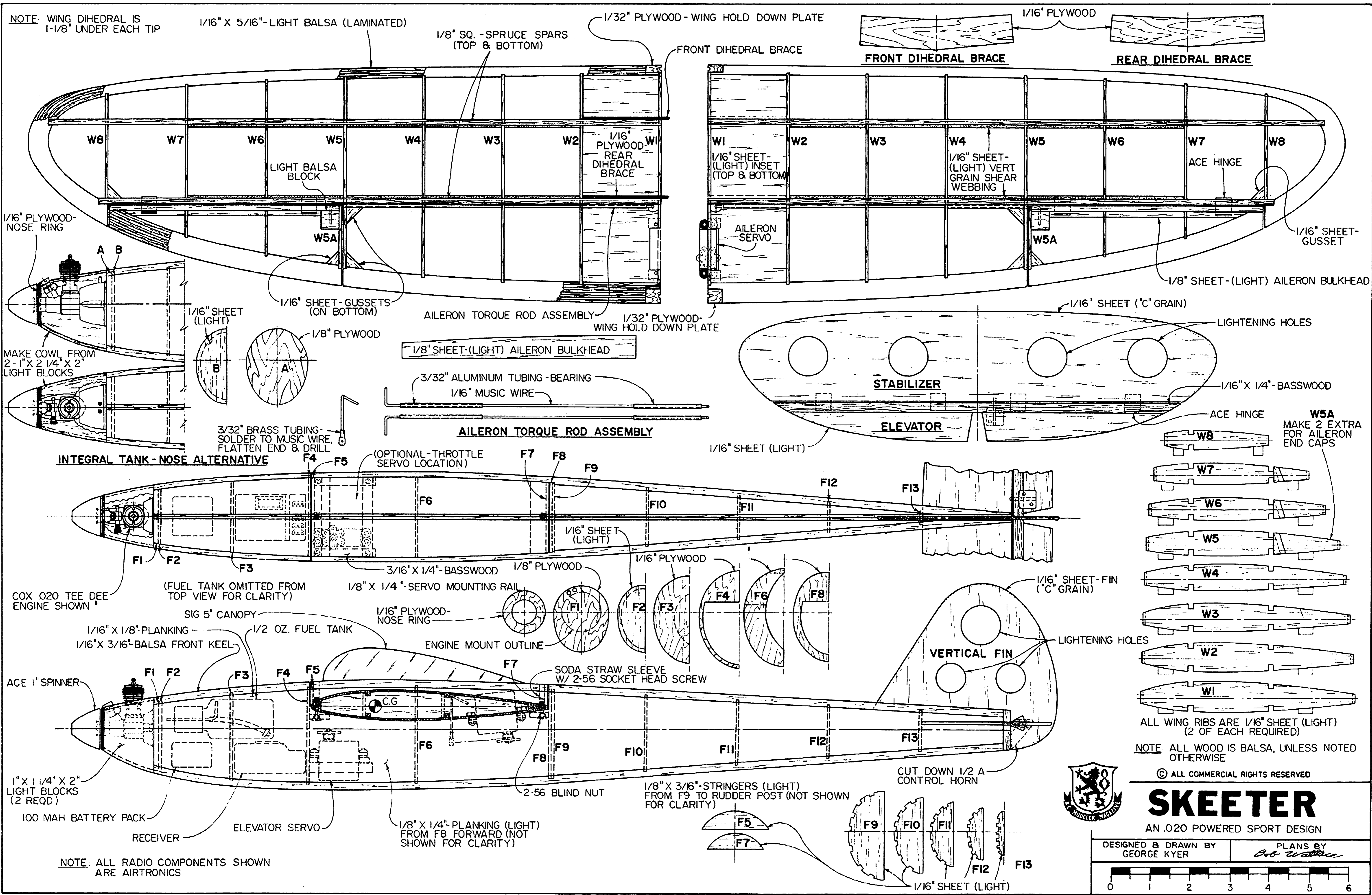


NOTE: WING DIHEDRAL IS 1-1/8" UNDER EACH TIP



1/16" X 5/16" - LIGHT BALSA (LAMINATED)

1/8" SQ. - SPRUCE SPARS (TOP & BOTTOM)

1/32" PLYWOOD - WING HOLD DOWN PLATE

1/16" PLYWOOD

FRONT DIHEDRAL BRACE

FRONT DIHEDRAL BRACE

REAR DIHEDRAL BRACE

1/16" PLYWOOD - NOSE RING

MAKE COWL FROM 2-1" X 2 1/4" X 2" LIGHT BLOCKS

1/16" SHEET (LIGHT)

1/16" SHEET - GUSSETS (ON BOTTOM)

AILERON TORQUE ROD ASSEMBLY

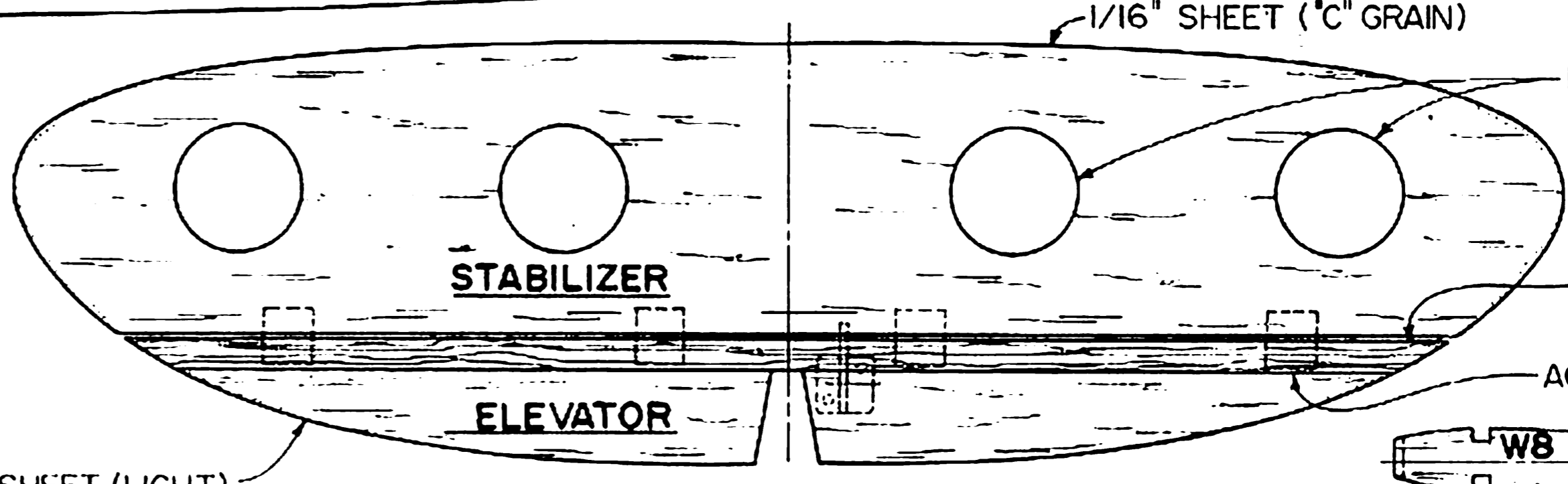
1/32" PLYWOOD - WING HOLD DOWN PLATE

1/8" SHEET - (LIGHT) AILERON BULKHEAD

3/32" ALUMINUM TUBING - BEARING
1/16" MUSIC WIRE

AILERON TORQUE ROD ASSEMBLY

1/16" SHEET (LIGHT)



LIGHTENING HOLES

STABILIZER

ELEVATOR

1/16" X 1/4" - BASSWOOD

ACE HINGE

W5A
MAKE 2 EXTRA FOR AILERON END CAPS

INTEGRAL TANK - NOSE ALTERNATIVE

(OPTIONAL - THROTTLE SERVO LOCATION)

COX .020 TEE DEE ENGINE SHOWN

(FUEL TANK OMITTED FROM TOP VIEW FOR CLARITY)

SIG 5" CANOPY

1/16" X 1/8" - PLANKING
1/16" X 3/16" - BALSA FRONT KEEL

1/2 OZ. FUEL TANK

ENGINE MOUNT OUTLINE

1/16" PLYWOOD - NOSE RING

3/16" X 1/4" - BASSWOOD

1/8" PLYWOOD

1/16" PLYWOOD

1/8" X 1/4" - SERVO MOUNTING RAIL

SODA STRAW SLEEVE W/ 2-56 SOCKET HEAD SCREW

VERTICAL FIN

LIGHTENING HOLES

1/16" SHEET - FIN (C" GRAIN)

ACE 1" SPINNER

1" X 1 1/4" X 2" LIGHT BLOCKS (2 REQ'D)

100 MAH BATTERY PACK

RECEIVER

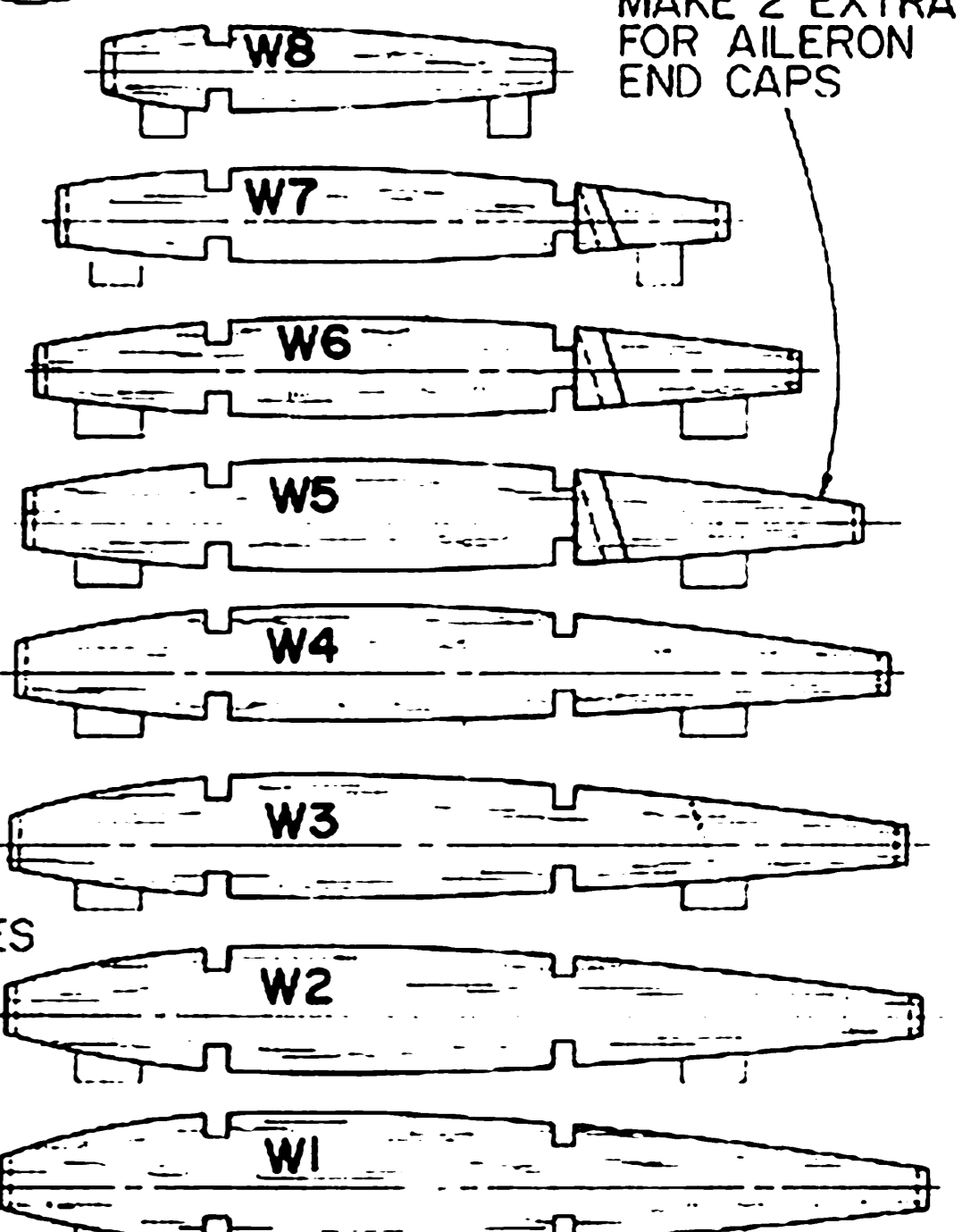
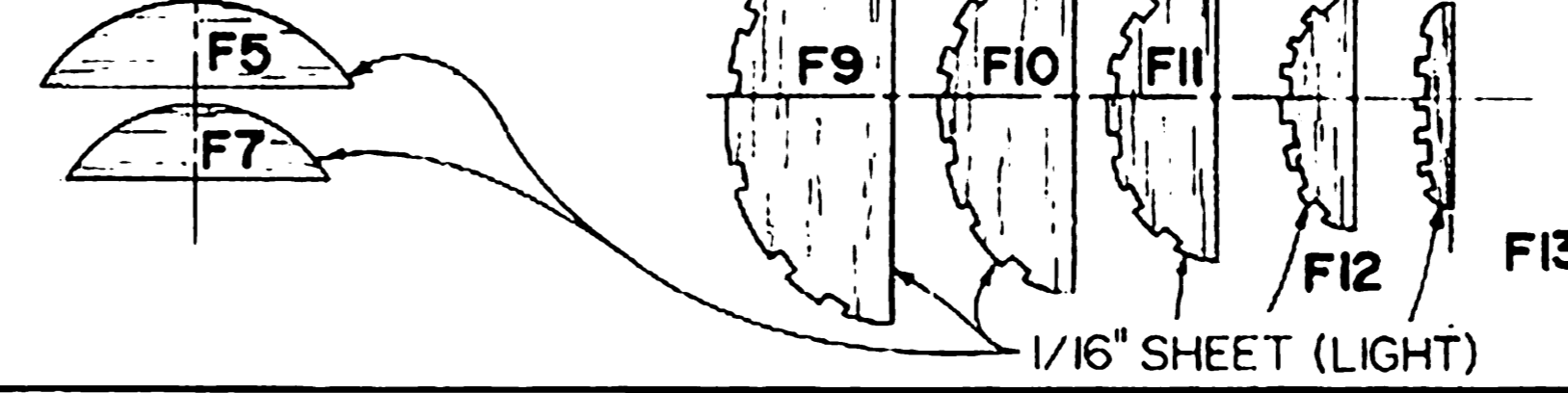
ELEVATOR SERVO

1/8" X 1/4" - PLANKING (LIGHT) FROM F8 FORWARD (NOT SHOWN FOR CLARITY)

2-56 BLIND NUT

1/8" X 3/16" - STRINGERS (LIGHT) FROM F9 TO RUDDER POST (NOT SHOWN FOR CLARITY)

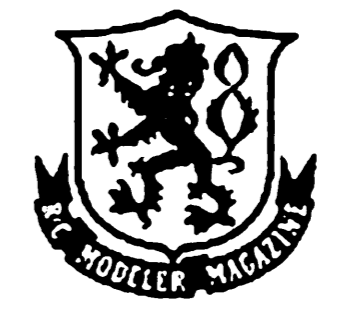
CUT DOWN 1/2 A CONTROL HORN



ALL WING RIBS ARE 1/16" SHEET (LIGHT) (2 OF EACH REQUIRED)

NOTE: ALL WOOD IS BALSA, UNLESS NOTED OTHERWISE

© ALL COMMERCIAL RIGHTS RESERVED

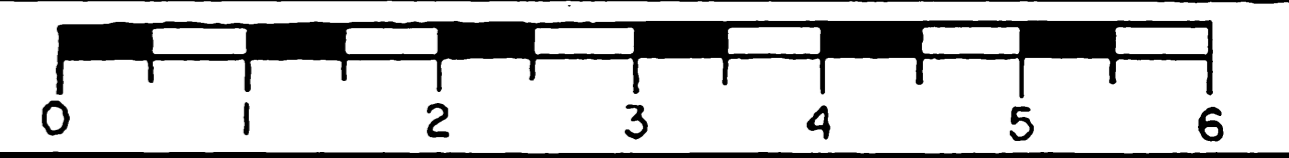


SKEETER

AN .020 POWERED SPORT DESIGN

DESIGNED & DRAWN BY
GEORGE KYER

PLANS BY
Bob Wallace



PLAN NO. 1097