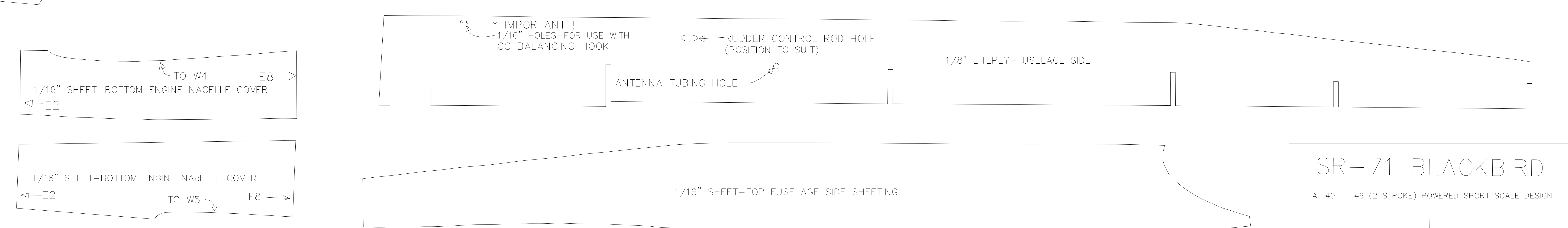


RECOMMENDED CONTROL SURFACE TRAVEL LIMITS  
 ELEVON REFLEX - 3/8" UP  
 ELEVONS - 3/4" UP & DOWN  
 FOR PITCH CONTROL - 5/8" UP & DOWN  
 FOR ROLL CONTROL  
 RUDDERS - 1" LEFT & RIGHT  
 (MEASUREMENTS TO BE MADE AT WIDEST POINT OF CONTROL SURFACE)



SR-71 BLACKBIRD

A .40 - .46 (2 STROKE) POWERED SPORT SCALE DESIGN