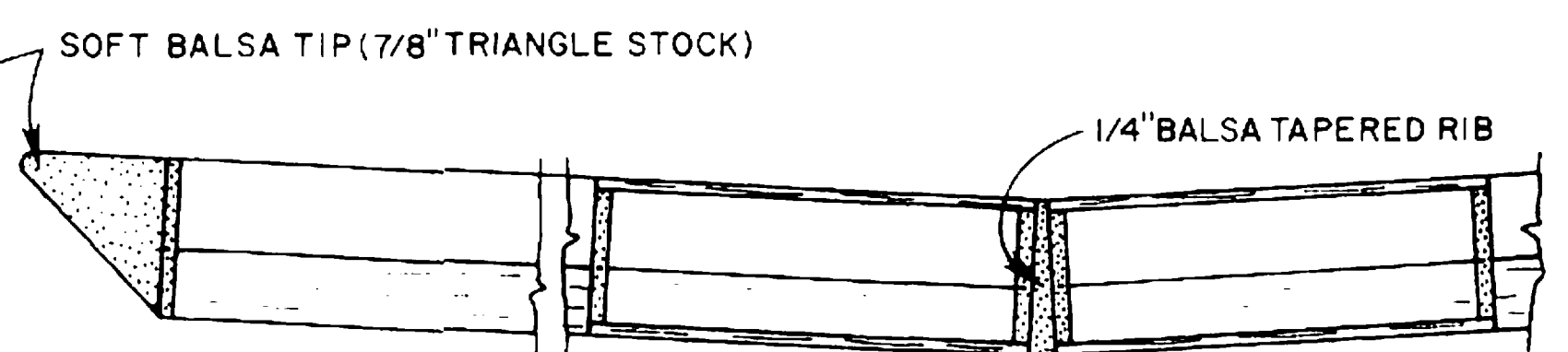
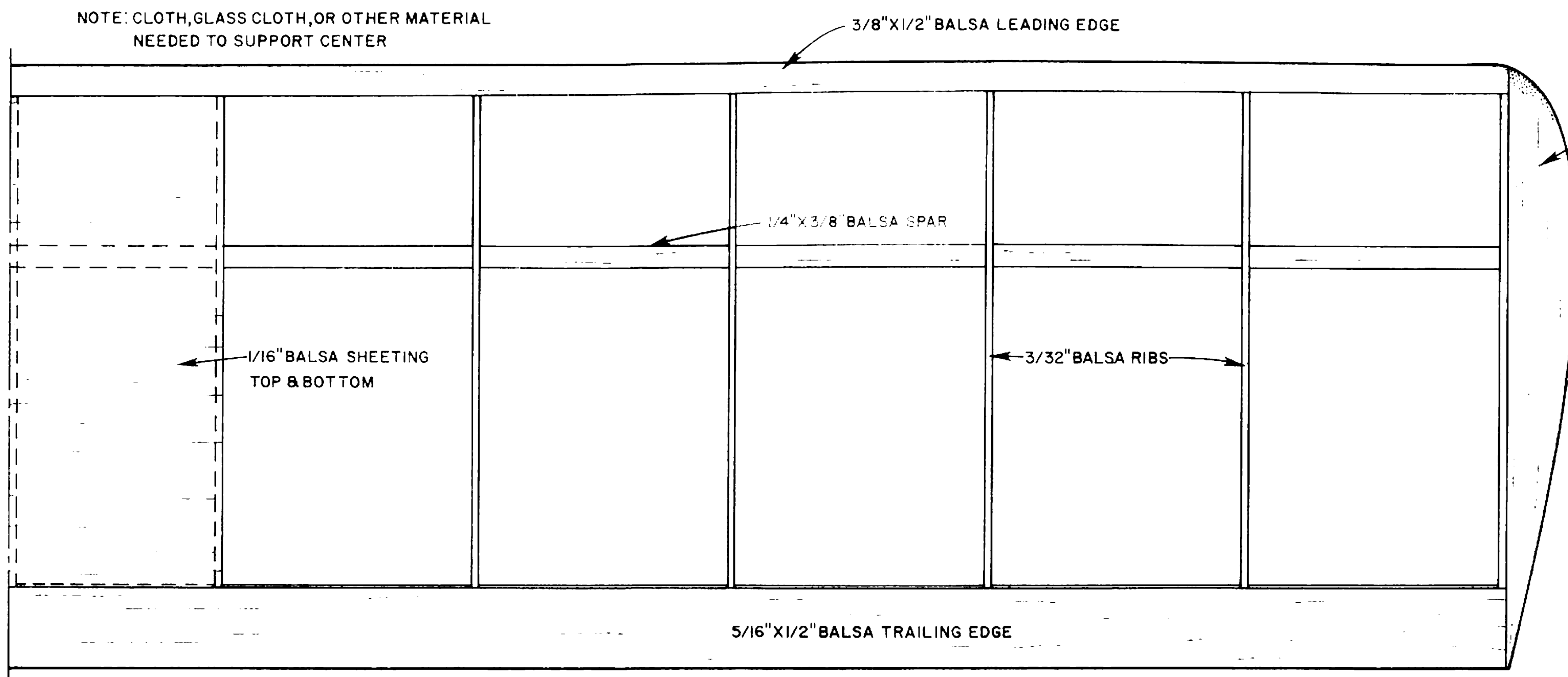
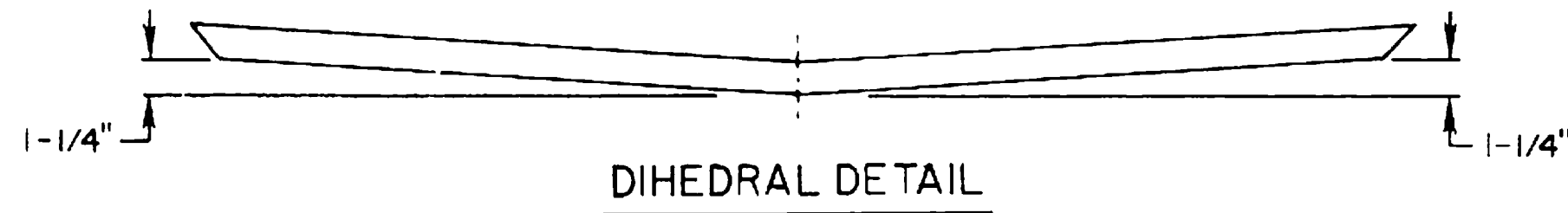
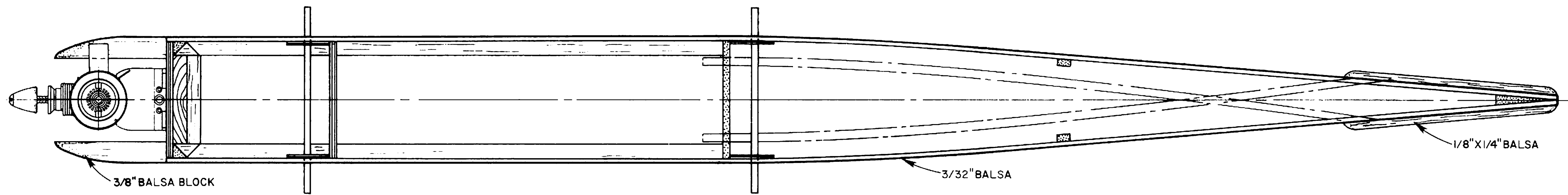
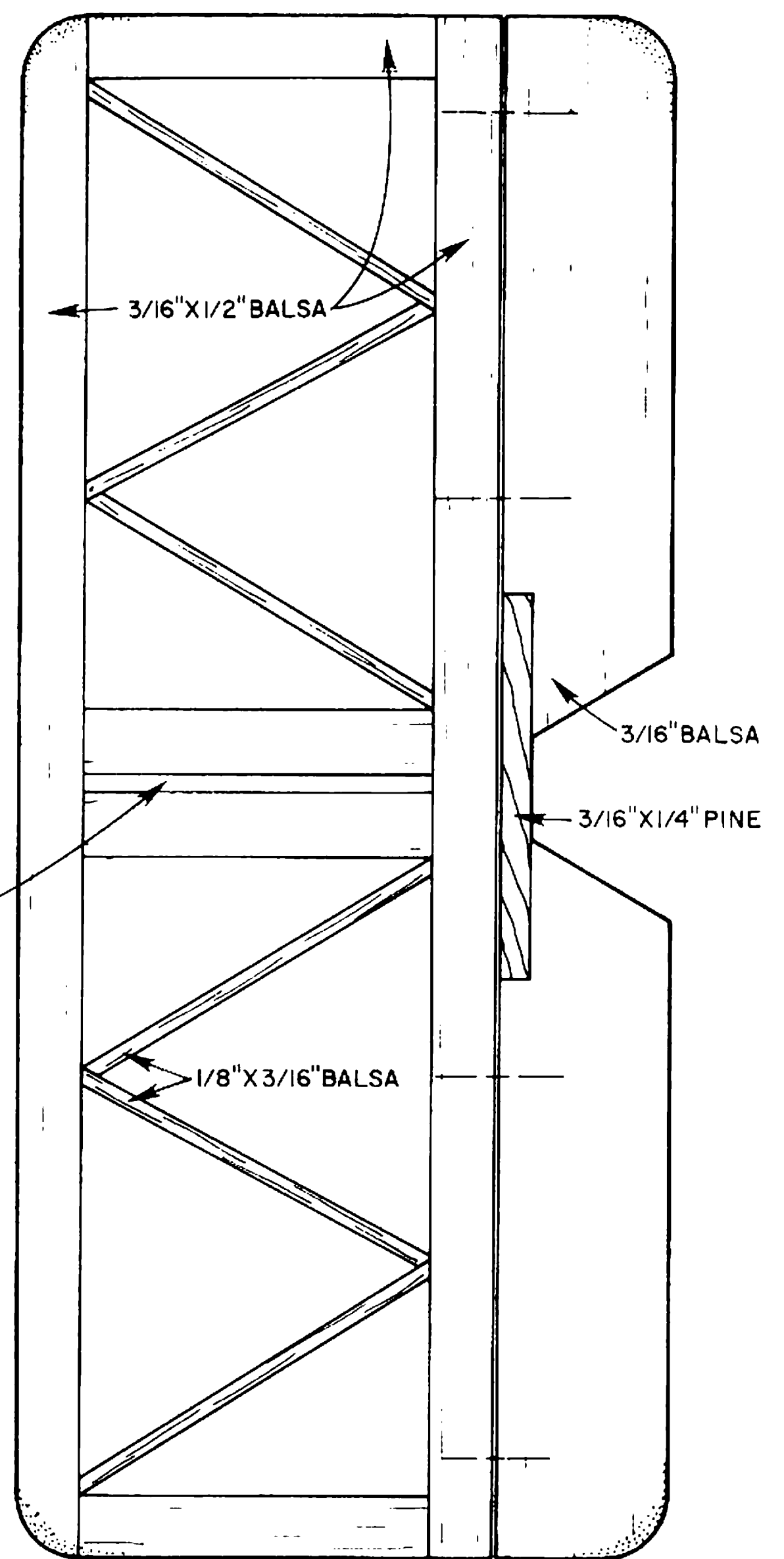
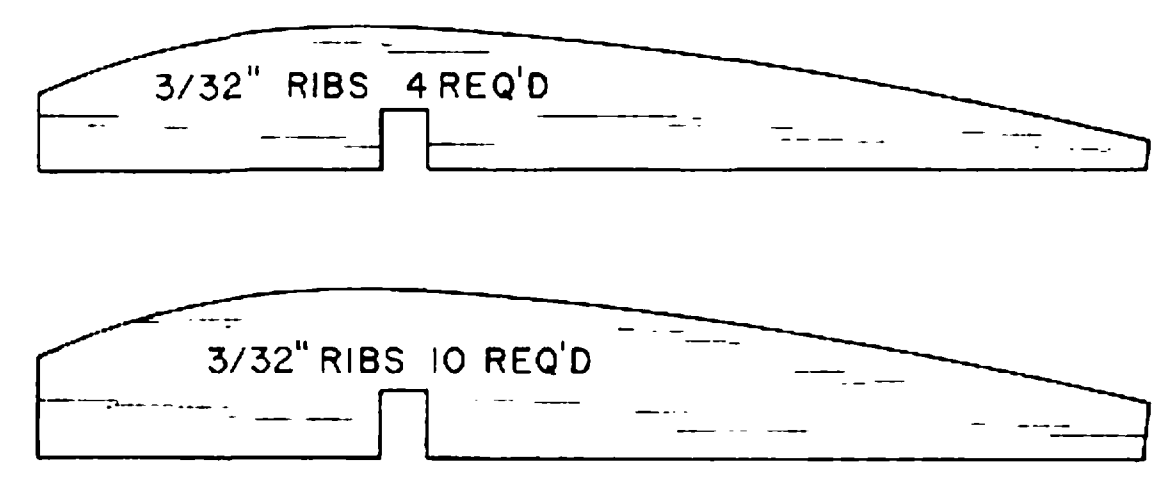


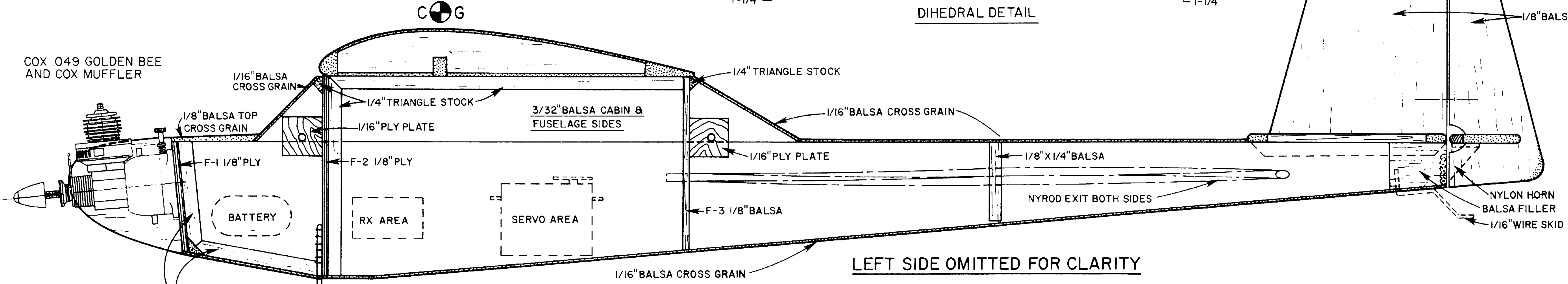
NOTE: CLOTH, GLASS CLOTH, OR OTHER MATERIAL NEEDED TO SUPPORT CENTER



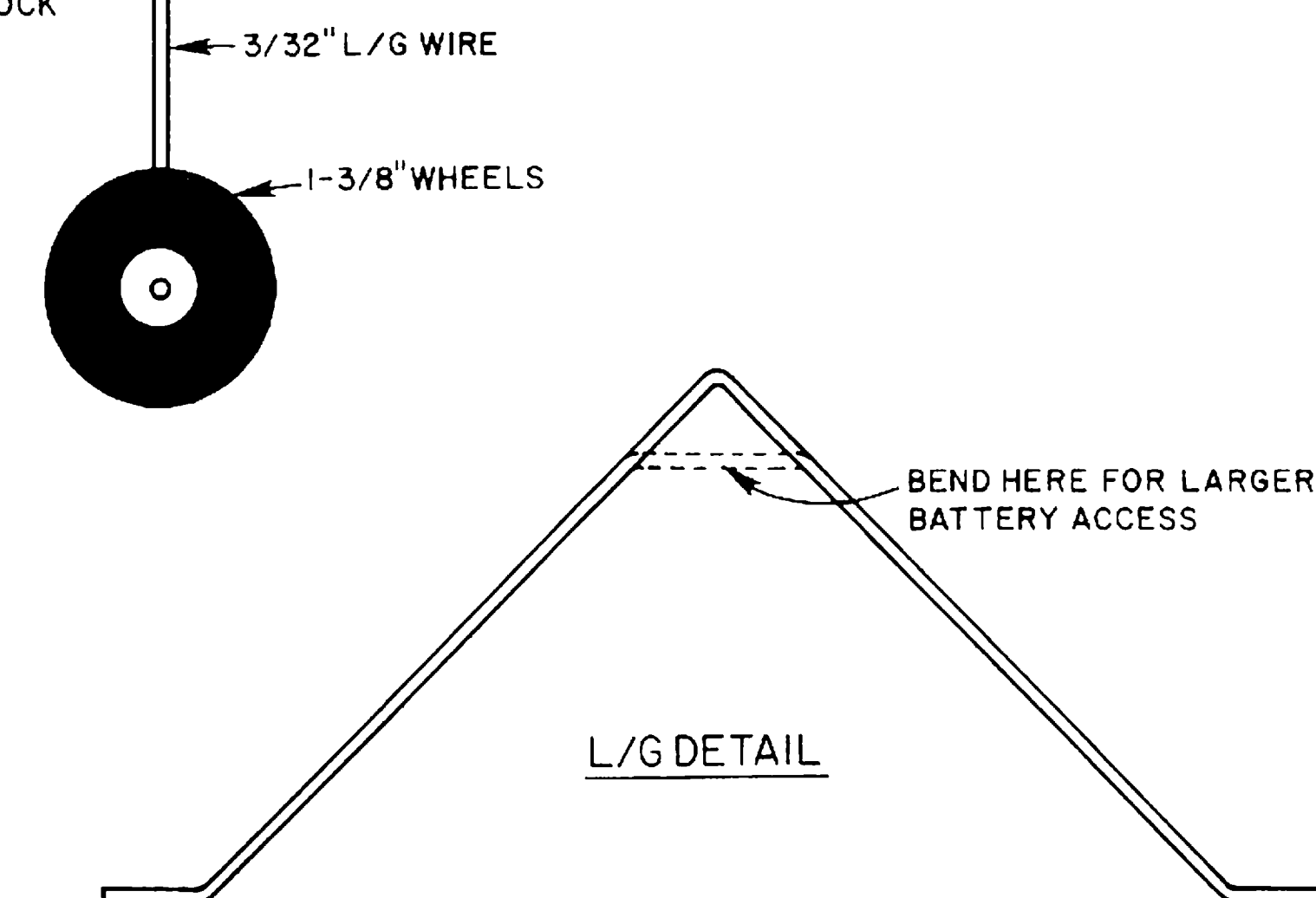
DIHEDRAL CROSS SECTION



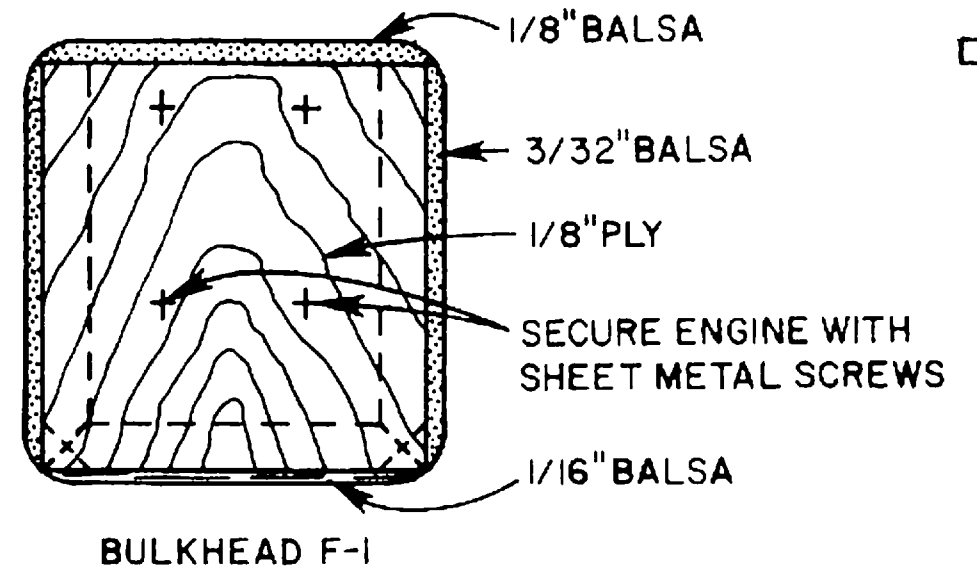
DIHEDRAL DETAIL



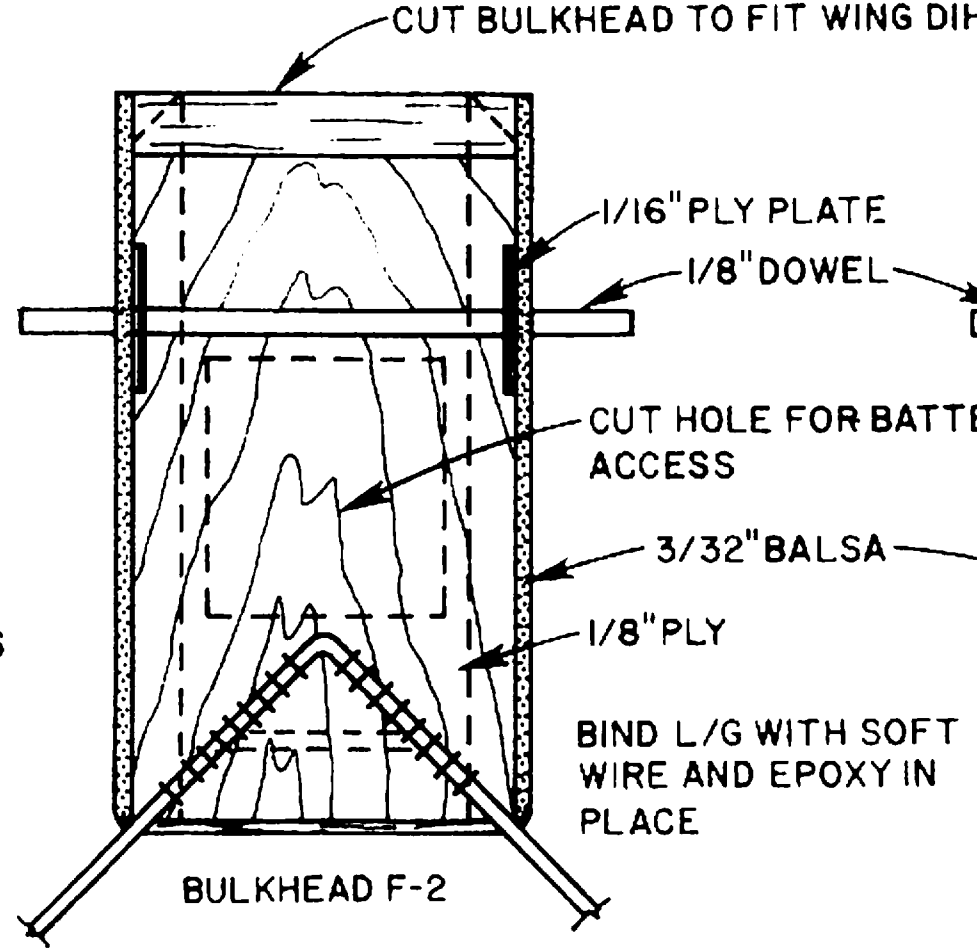
LEFT SIDE OMITTED FOR CLARITY



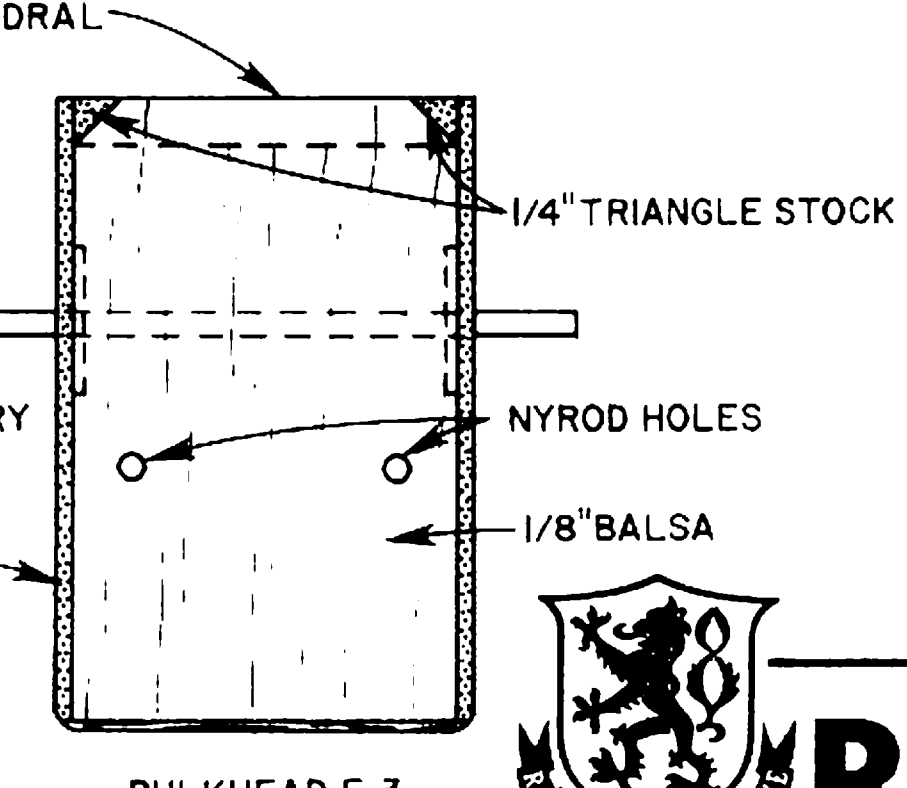
L/G DETAIL



BULKHEAD F-1



BULKHEAD F-2



BULKHEAD F-3

WING SPAN36-3/4"
 WING AREA255 SQ. IN.
 LENGTH28"
 WEIGHT20 OZ.
 ENGINE049 CU. IN.

©RCM ALL COMMERCIAL RIGHTS RESERVED



RCM TRAINER 5

DESIGNED BY JOE BRIDI INKED BY J. MERRILL

By H.E

