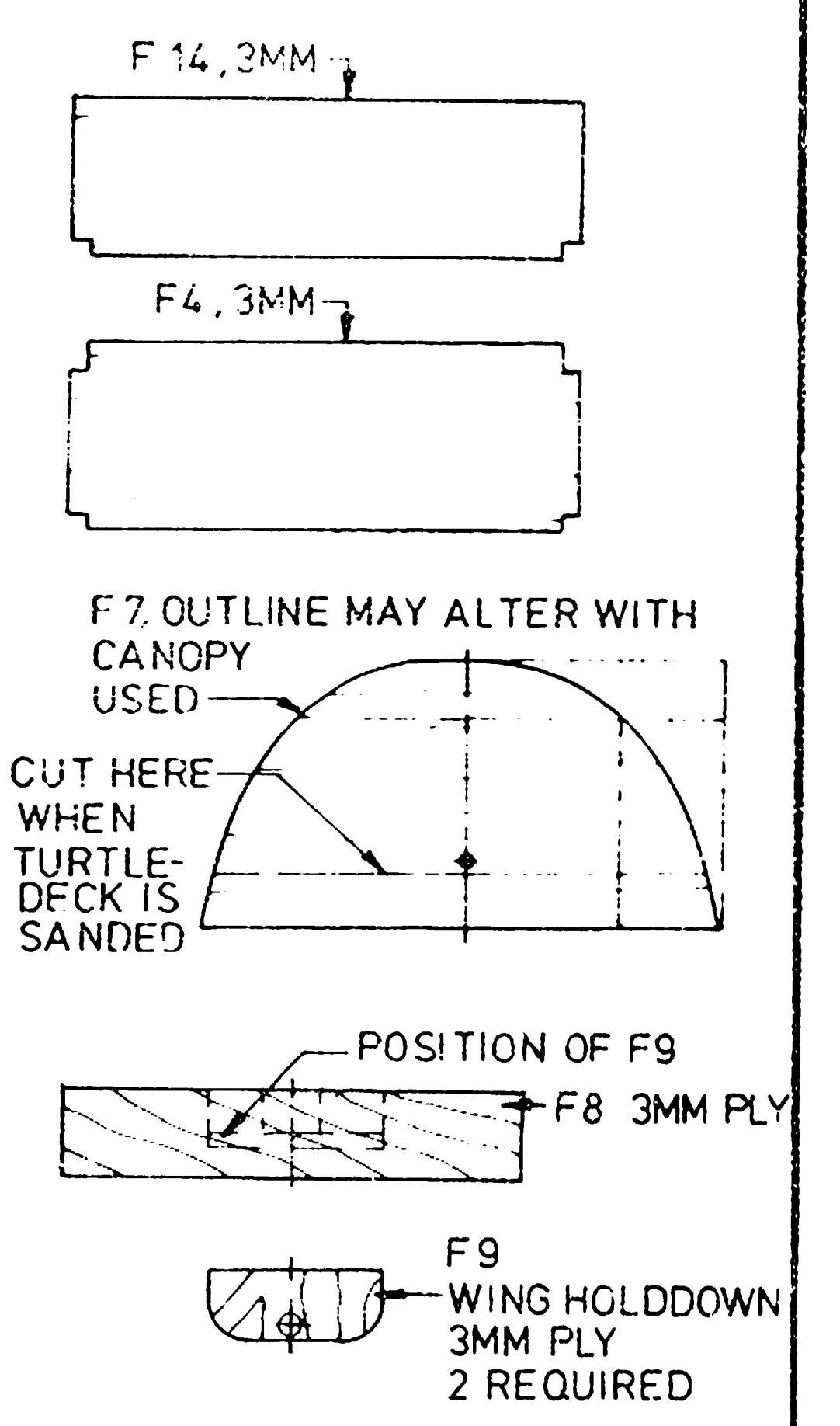
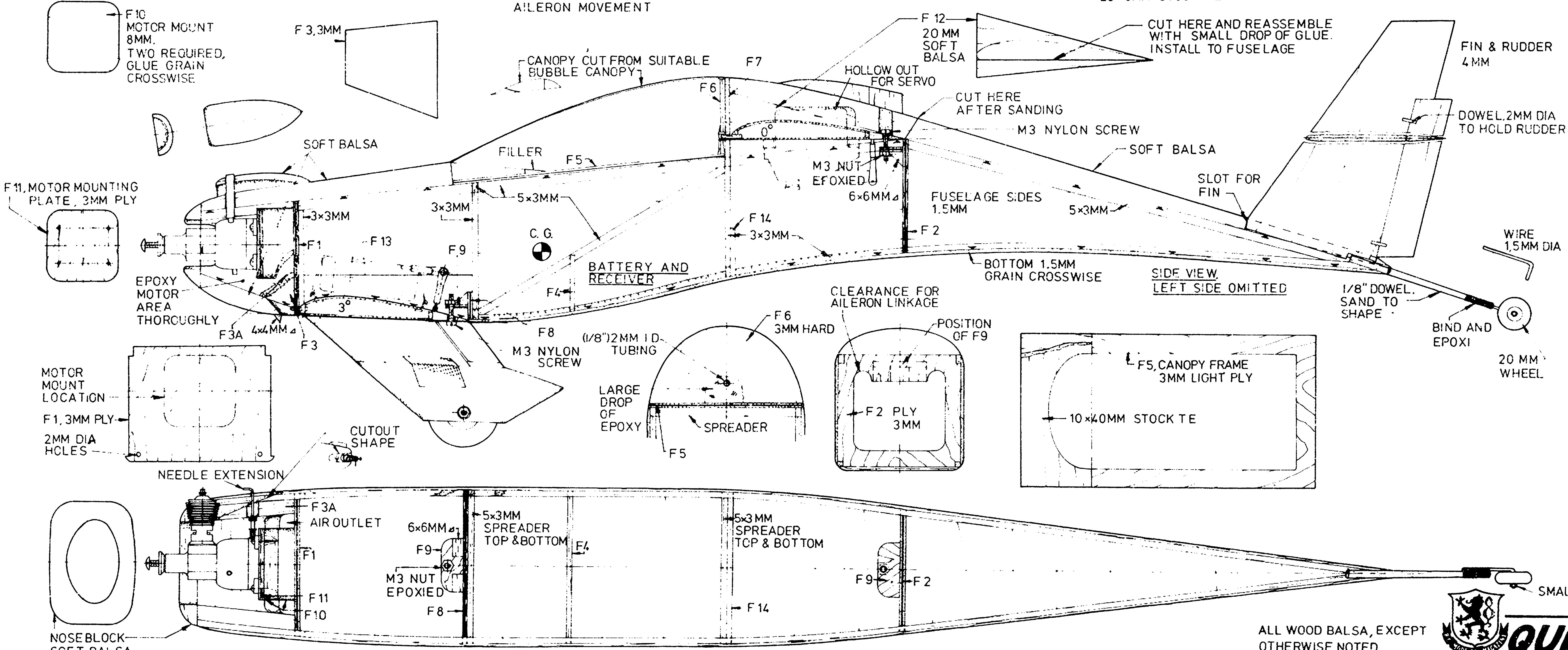
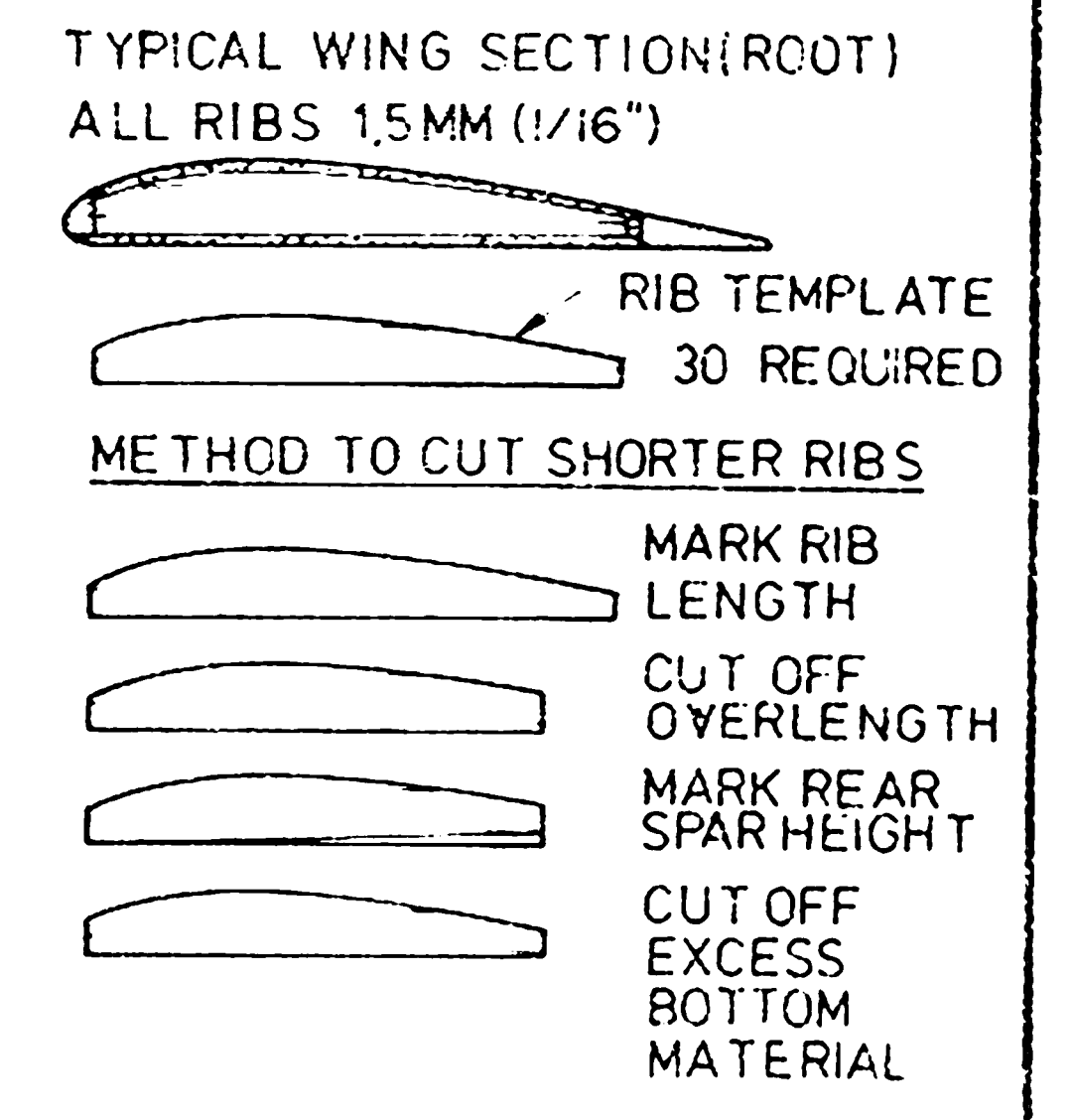
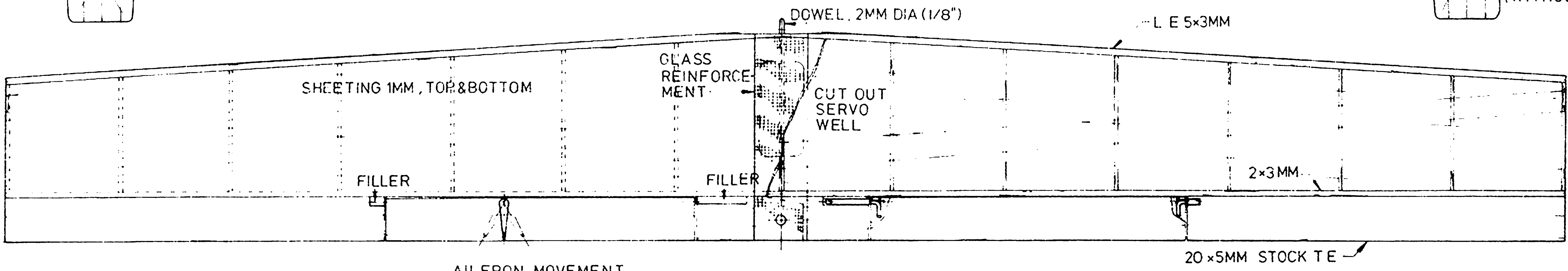
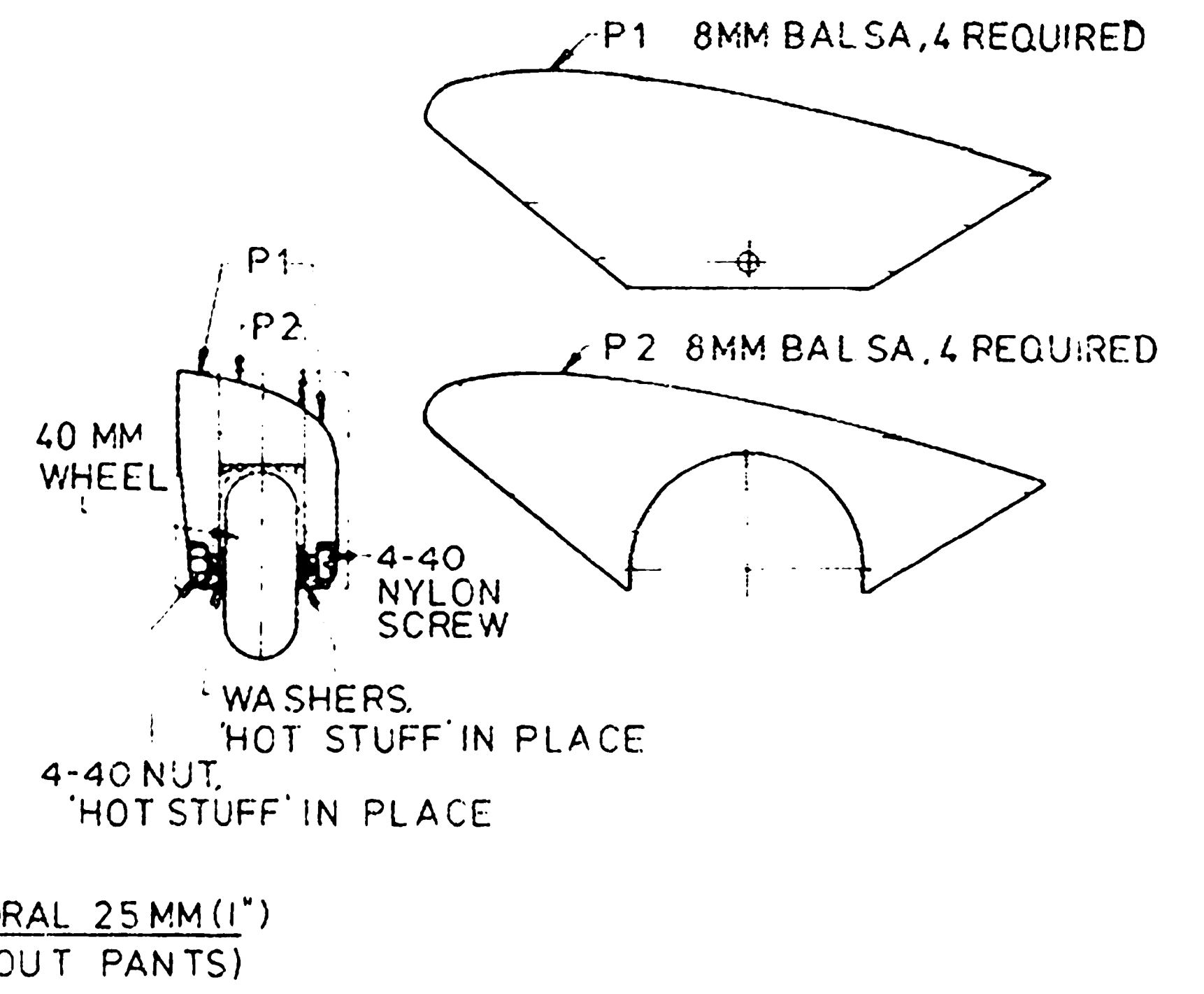
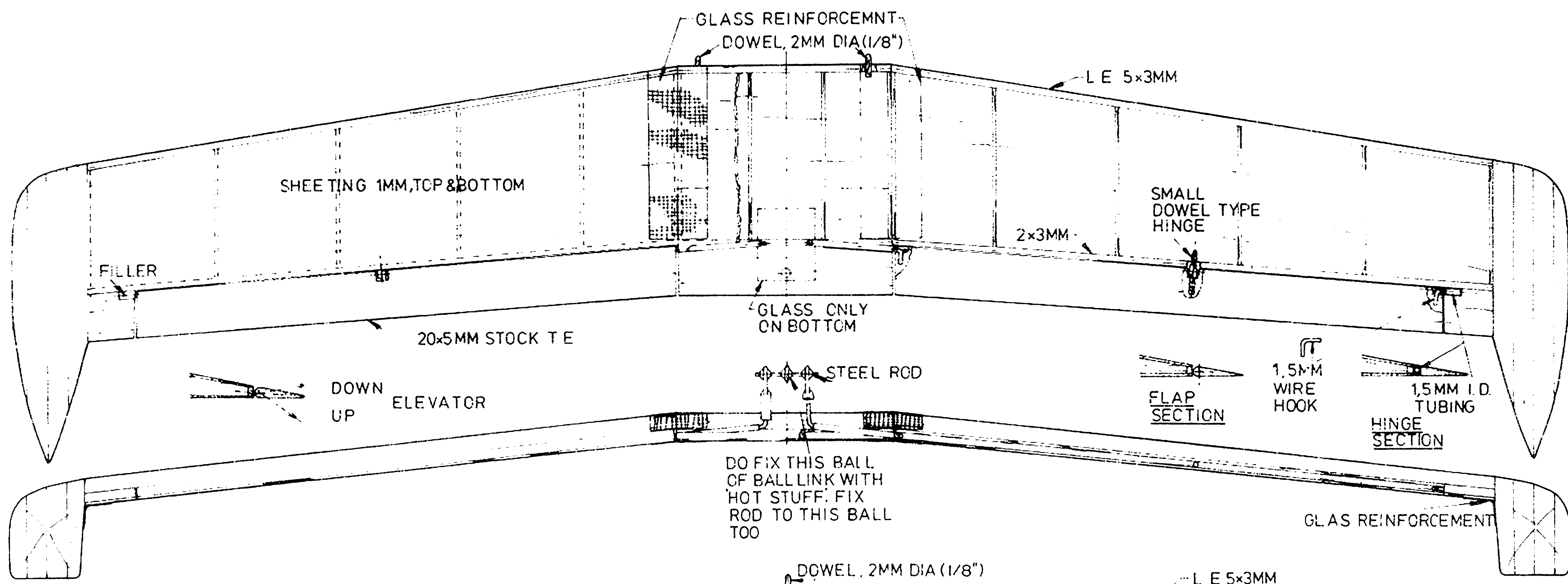


CONVERSION CHART  
25.4 MM = 1 IN.

MM.	IN.	MM.	IN.
1 (1/16")	3/64	8	5/16
1.5	1/16	20	25/32
2	5/64	25	63/64
3	1/8	25.4	1
4	5/32	40	1-9/16
5	13/64		
6	15/64		



ALL WOOD Balsa, EXCEPT OTHERWISE NOTED

INDICATES BASIC FUSELAGE-SIDE OUTLINE

By H.E.

© ICM ALL COMMERCIAL RIGHTS RESERVED

QUICKIE 1/2-A SPORT-SCALE

DESIGNED & DRAWN BY Siegfried Glöckner

0 1 2 3 4 5 6